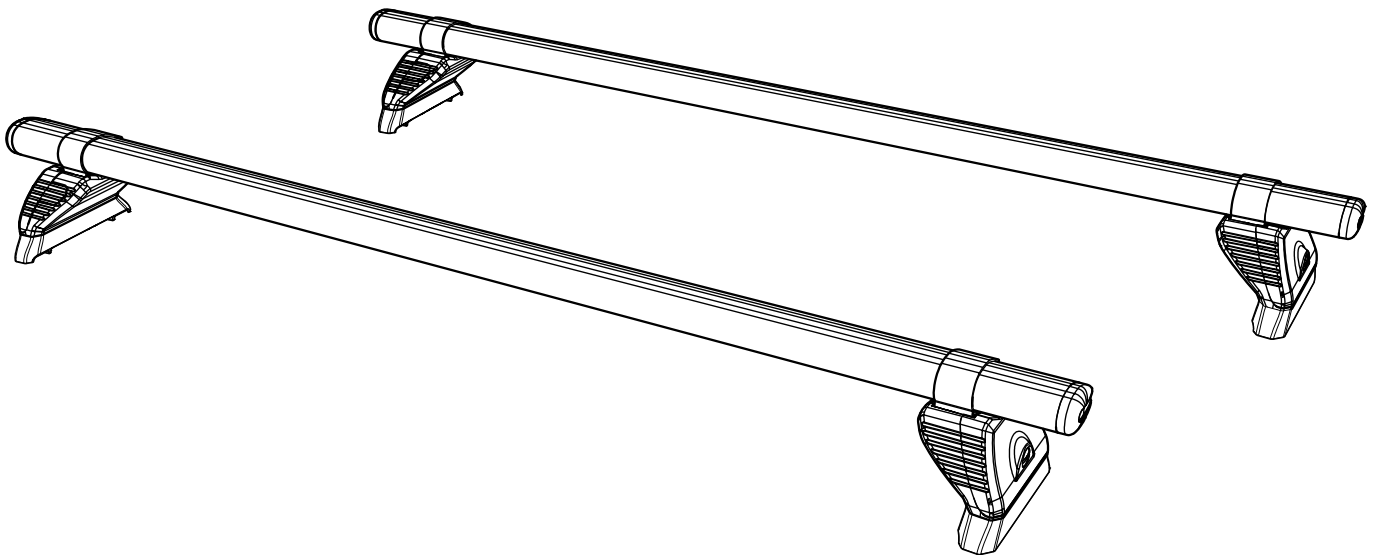


TF2PR/FL

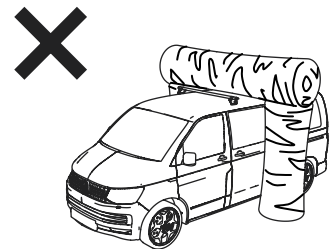
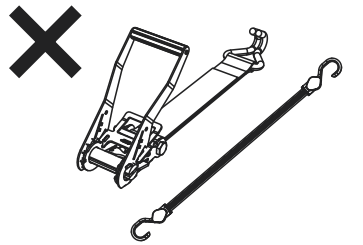
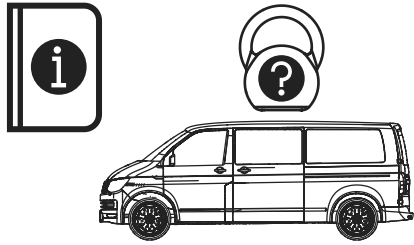
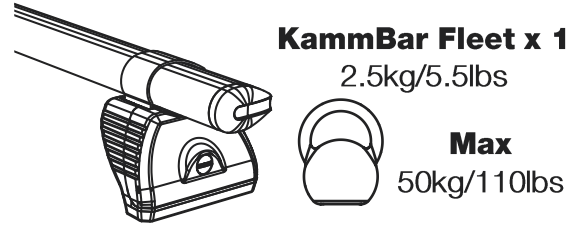
KammBar

Instructions

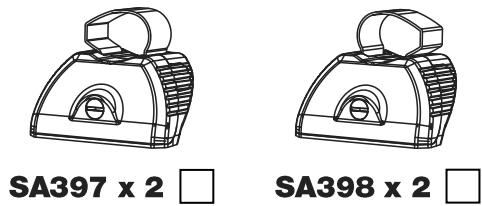
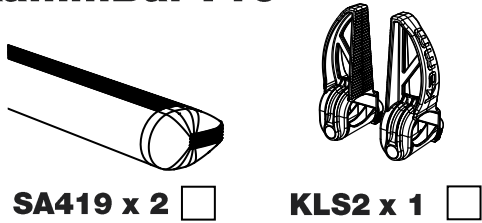


CITY CRASH (✓)

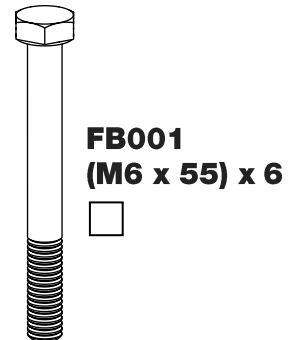
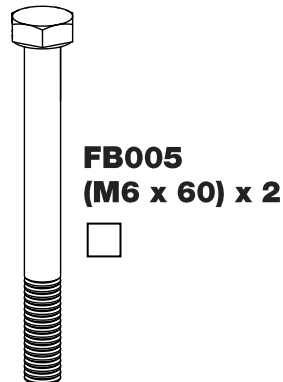
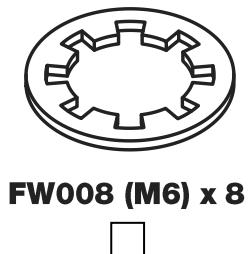
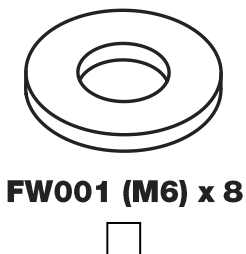
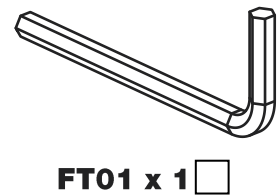
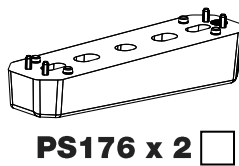
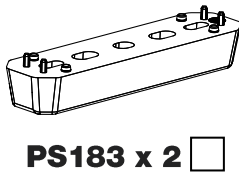
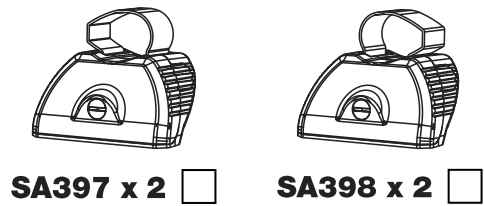
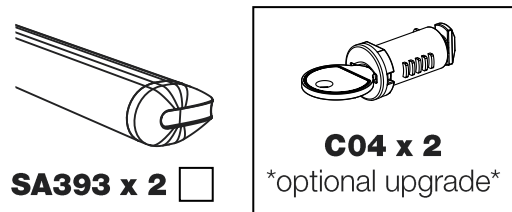
According to ISO/ PAS 11154:2006



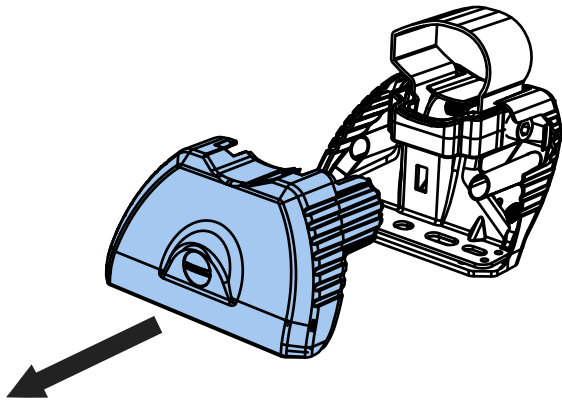
KammBar Pro



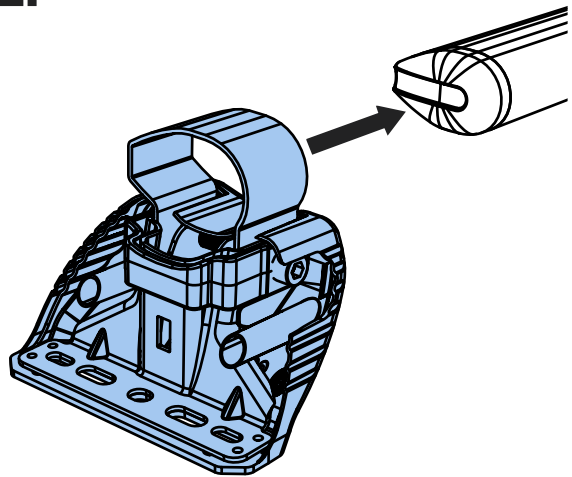
KammBar Fleet



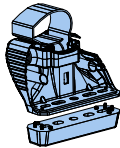
1.



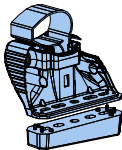
2.



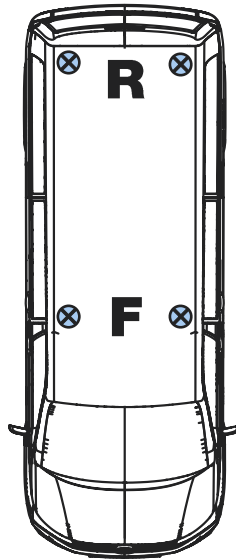
3.



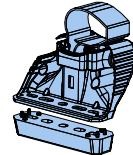
**SA397
PS183**



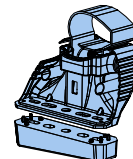
**SA397
PS176**



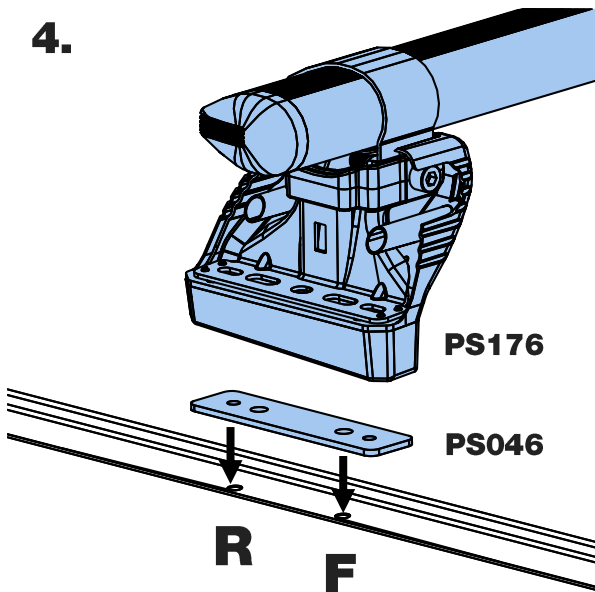
**SA398
PS183**



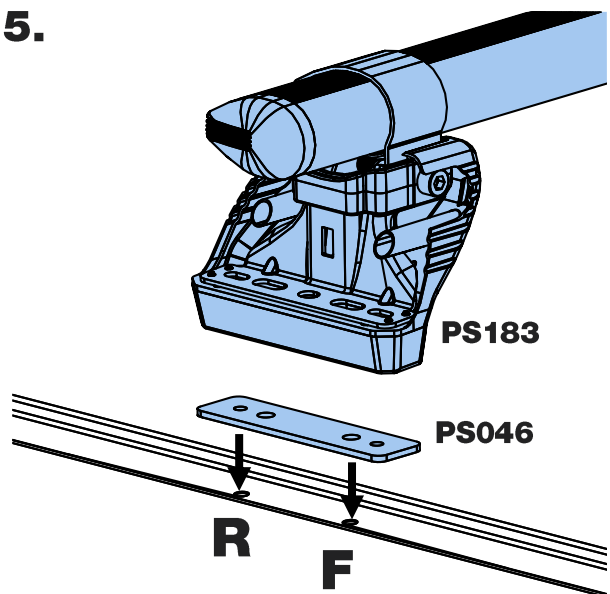
**SA398
PS176**



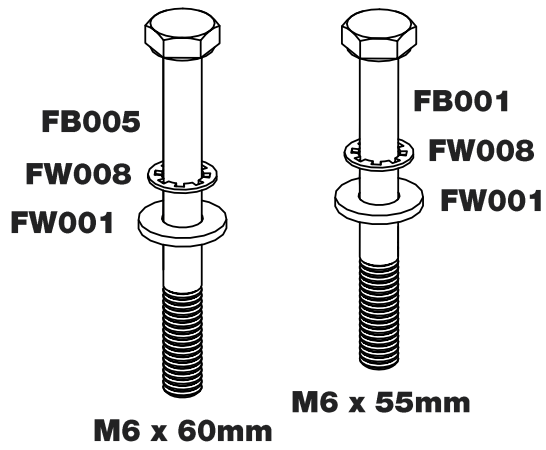
4.



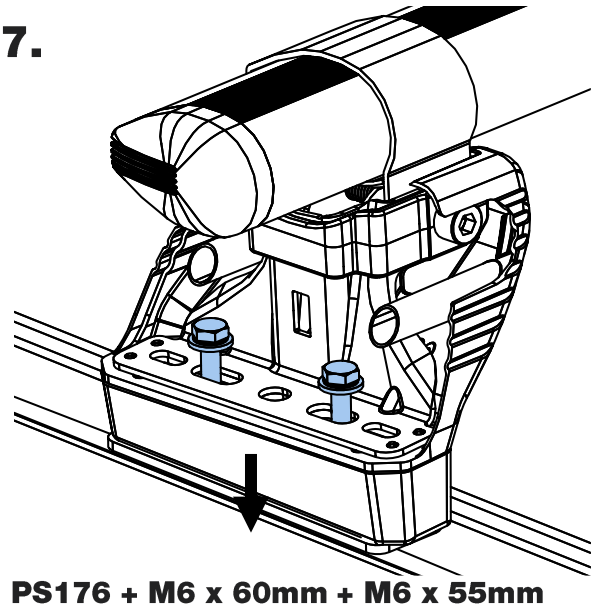
5.



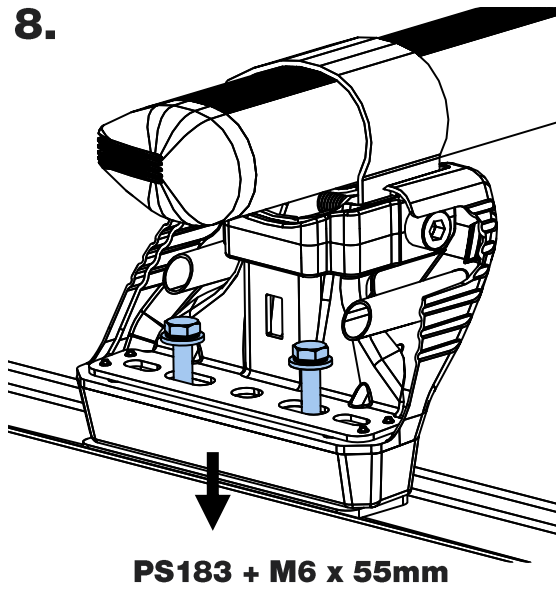
6.



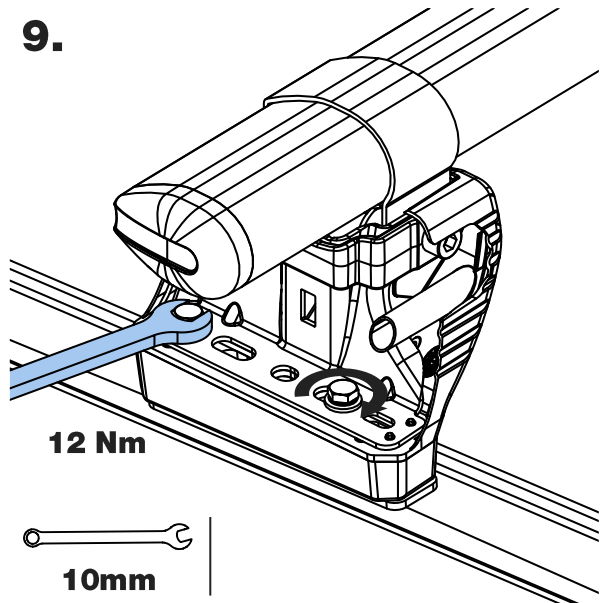
7.



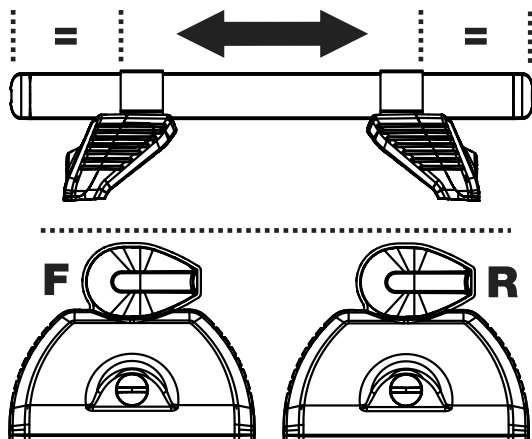
8.



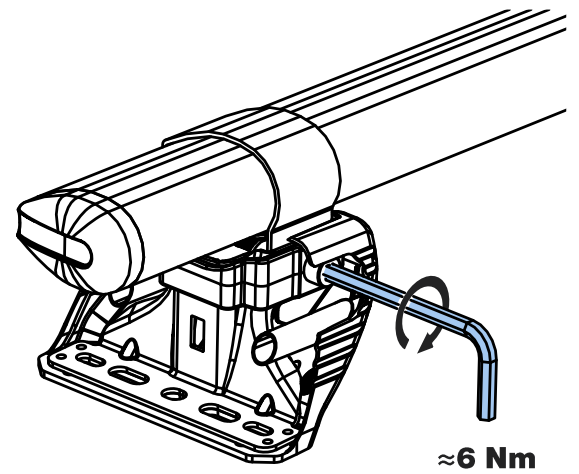
9.



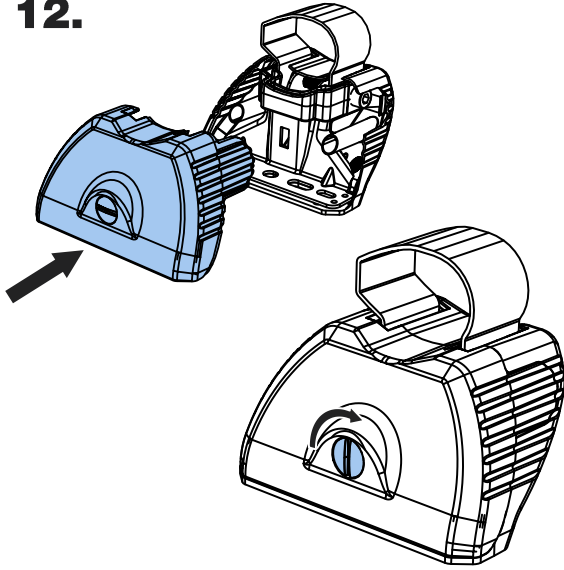
10.



11.



12.



13.

