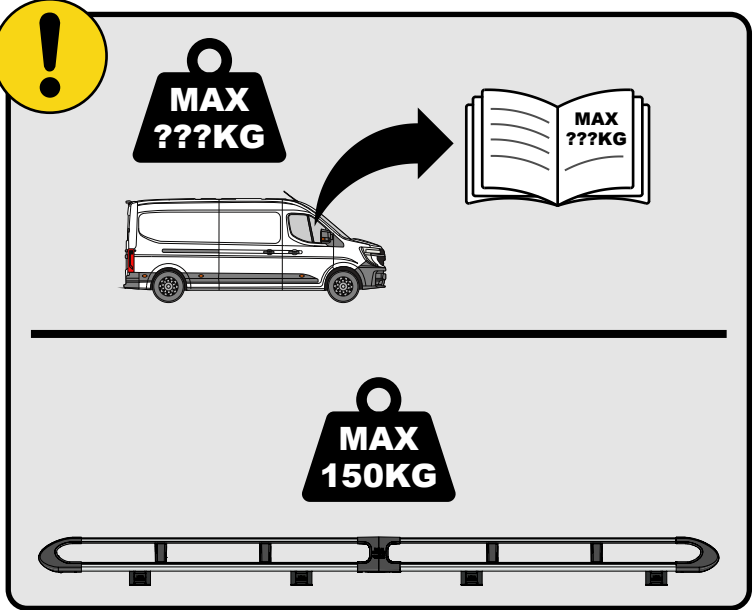
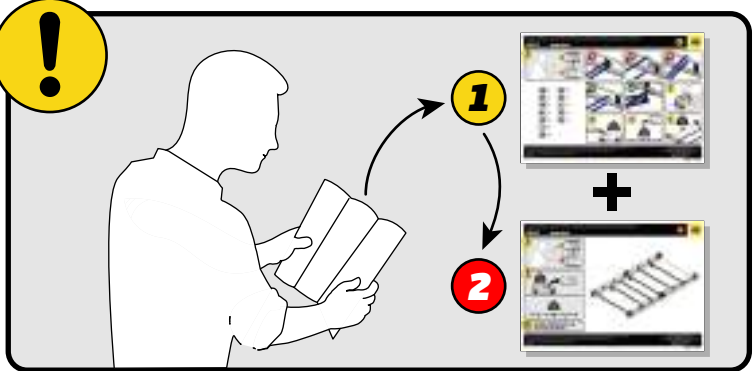


# IN8450

## ULTI Rack+



 [Customercare@van-guard.co.uk](mailto:Customercare@van-guard.co.uk)  
UK +44 (0) 1392 368 351



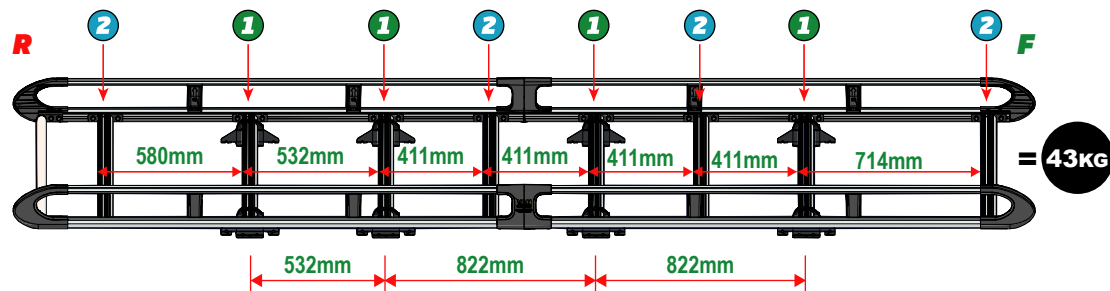
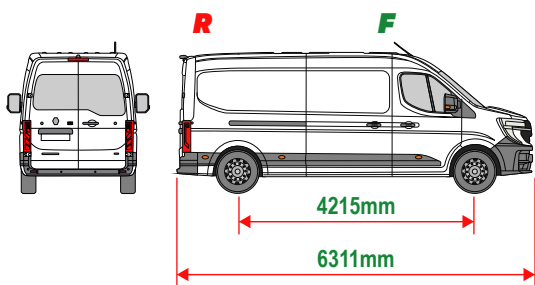
This FITTING INSTRUCTION is the property of VAN GUARD ACCESSORIES LTD. and must not be used for manufacturing purposes, copied nor communicated in any way to third parties without written permission from VAN GUARD ACCESSORIES LTD.  
IN8450\_A (CN:NR)

Van Guard Accessories Ltd  
Fair Oak Close, Exeter Airport Business Park,  
Exeter, Devon, EX5 2UL  
[www.van-guard.co.uk](http://www.van-guard.co.uk)

THIS INSTRUCTION COVERS THE FOLLOWING MODELS - CHECK YOU ARE FITTING THE CORRECT MODEL BEFORE PROCEEDING

# VGUR-304

Nissan Interstar: 2025 on  
Renault Master: 2025 on  
L3H2 (MWB)  
Twin Rear Doors



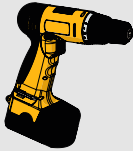
**SUPPLIED COMPONENTS - CHECK ALL PARTS ARE PRESENT AND CORRECT BEFORE PROCEEDING (1 OF 2)**

**TOOLS REQUIRED**

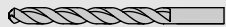
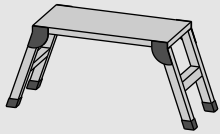
**10MM X1**



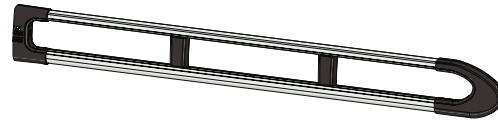
**13MM X2**



**Ø4 & Ø9**



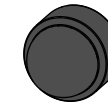
**AS3549 X2**  
(3800 / A)



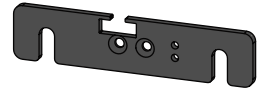
**MA6118 X16**



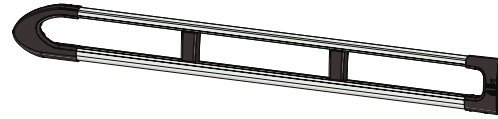
**FX4241 X36**



**ME1622 X4**



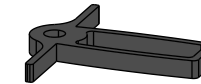
**AS3548 X2**  
(3800 / B)



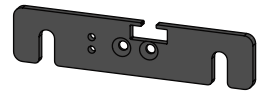
**FX4008 X1**



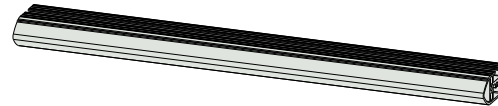
**MA6145 X1**



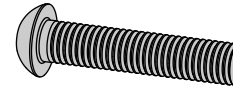
**ME1623 X4**



**ME1628 X8**  
(1554mm)



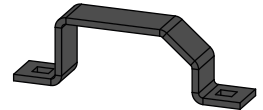
**FX4001 X2**  
(M8X40)



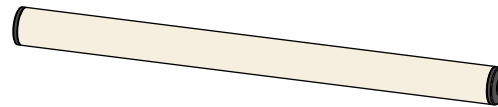
**FX4235 X32**  
(M5X25)



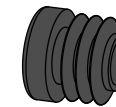
**ME0203 X10**



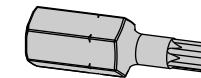
**AS3160 X1**  
(1540mm)



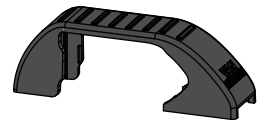
**MA6007 X4**



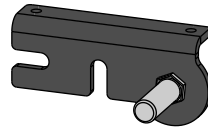
**FX4248 X1**  
(T25)



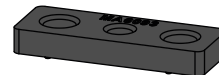
**MA6065 X10**



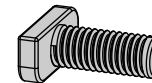
**AS3590 X1**



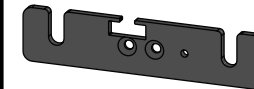
**MA6093 X16**



**FX4239 X36**  
(M8X20)



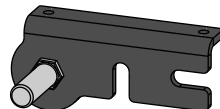
**ME1620 X4**



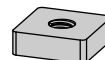
**FX4016 X20**  
(M6)



**AS3591 X1**



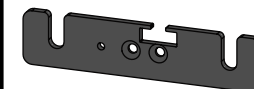
**ME0316 X16**



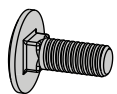
**FX4240 X36**  
(M8)



**ME1621 X4**

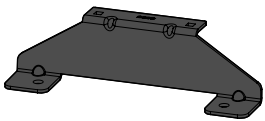


**FX4042 X20**  
(M6X16)



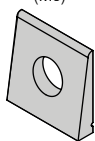
SUPPLIED COMPONENTS - CHECK ALL PARTS ARE PRESENT AND CORRECT BEFORE PROCEEDING (2 OF 2)

**ME2500 X8**



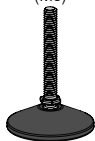
**FX4318 X16**

(M8)



**MA6060 X2**

(M8)

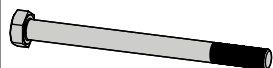


**ME2501 X16**



**FX4319 X8**

(M8x100)

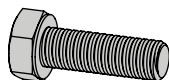


**MA6269 X16**



**FX4028 X16**

(M8x25)



**FX4014 X16**

(RUBBER)

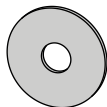


**ME2542 X2**



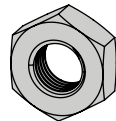
**FX4040 X16**

(M8)



**FX4072 X4**

(M8)



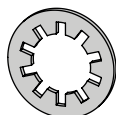
**FX4011 X24**

(M8)



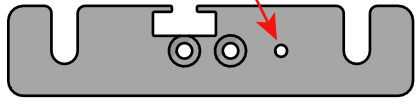
**FX4019 X4**

(M8)



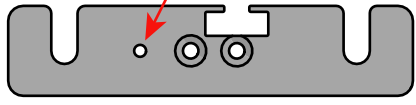
**01**

**1L**



**X4**

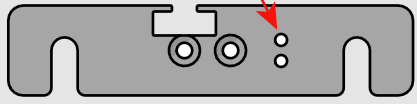
**1R**



**X4**

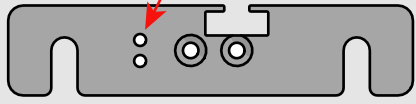


**2L**



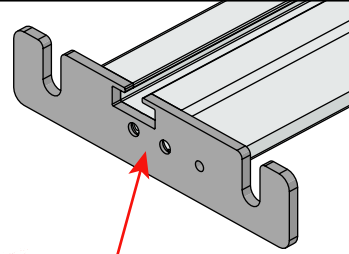
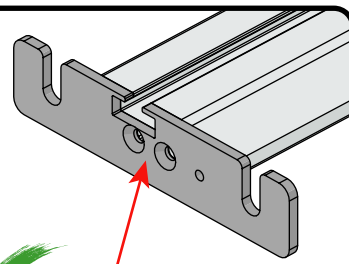
**X4**

**2R**



**X4**

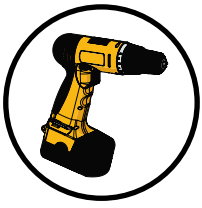
**02**



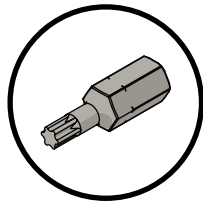
**03**

**01**

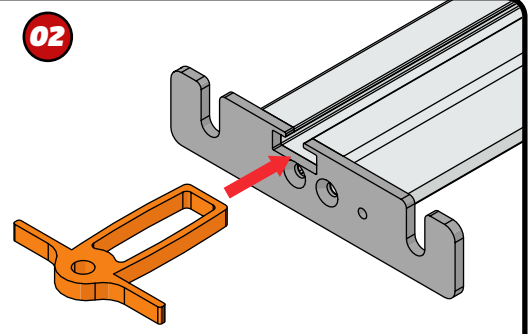
**FX4248**



**+**



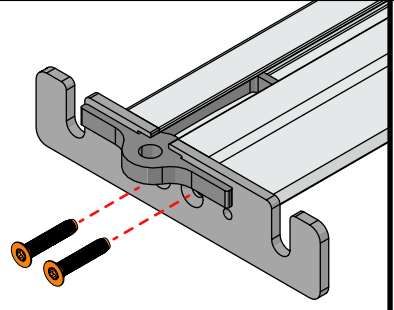
**02**



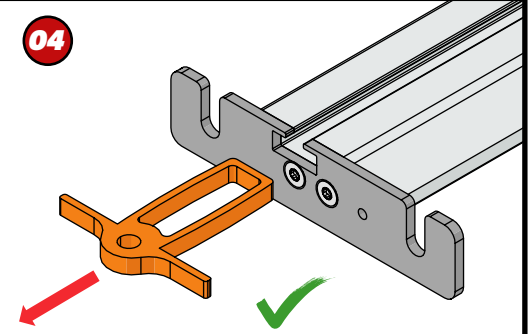
**03**



**11Nm**



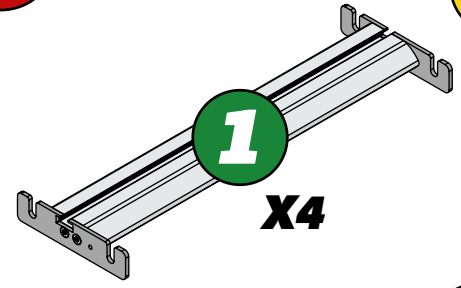
**04**



**04**

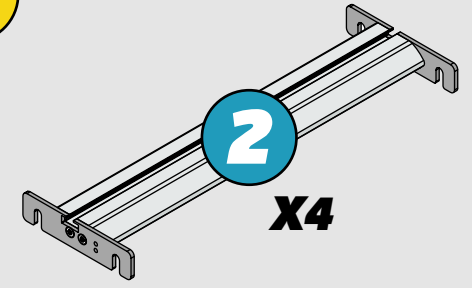


**1**

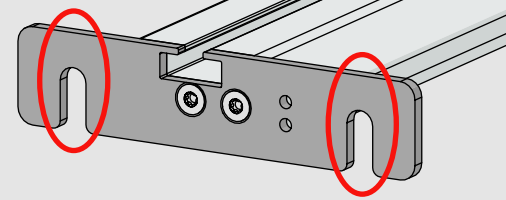
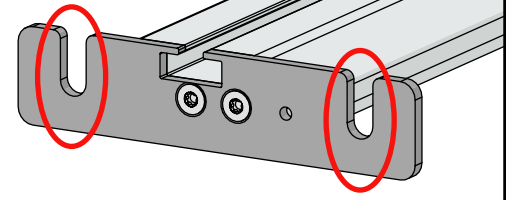


**X4**

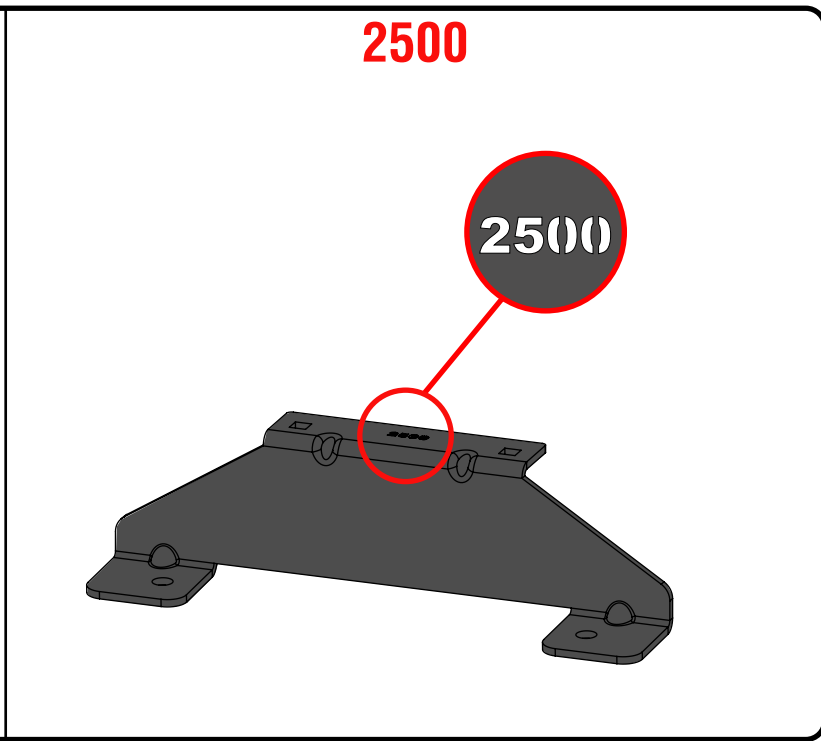
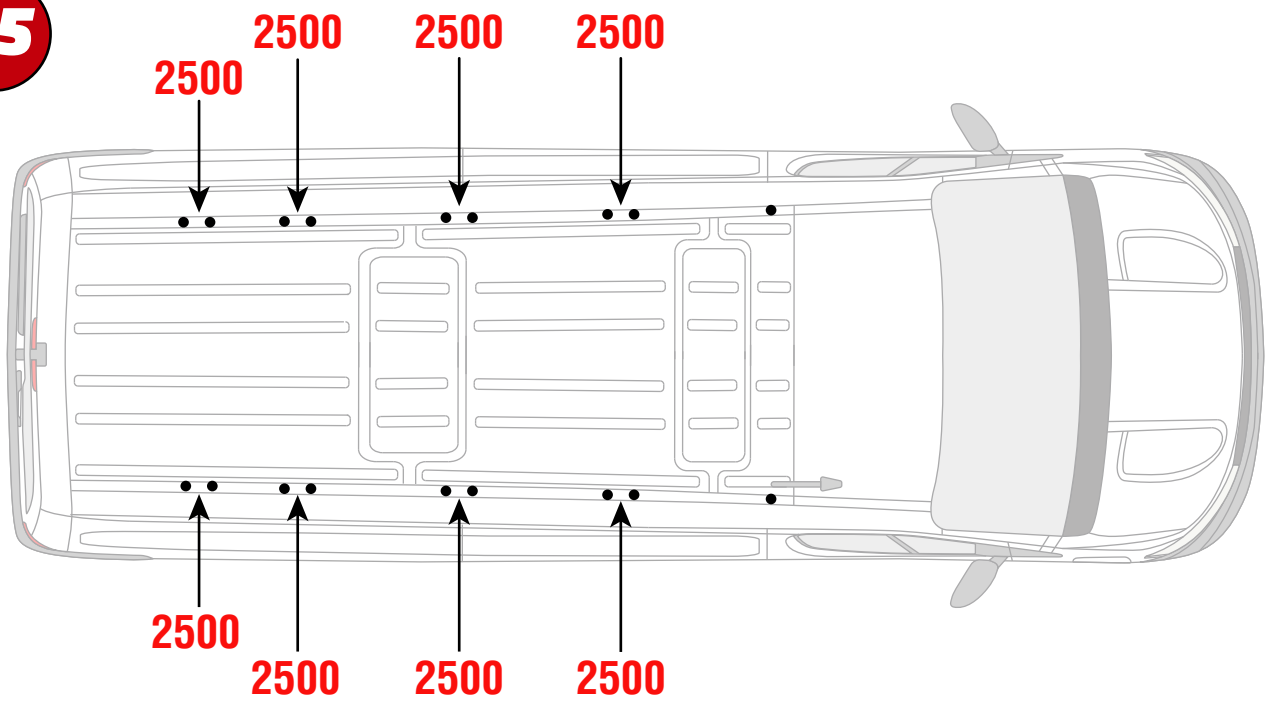
**2**



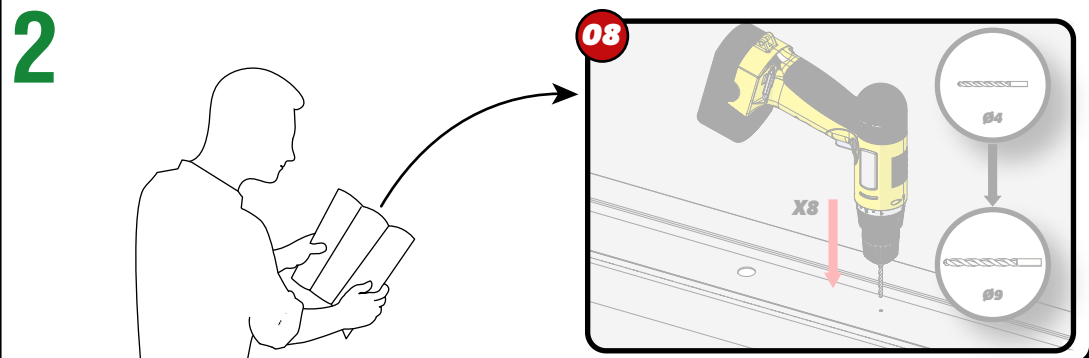
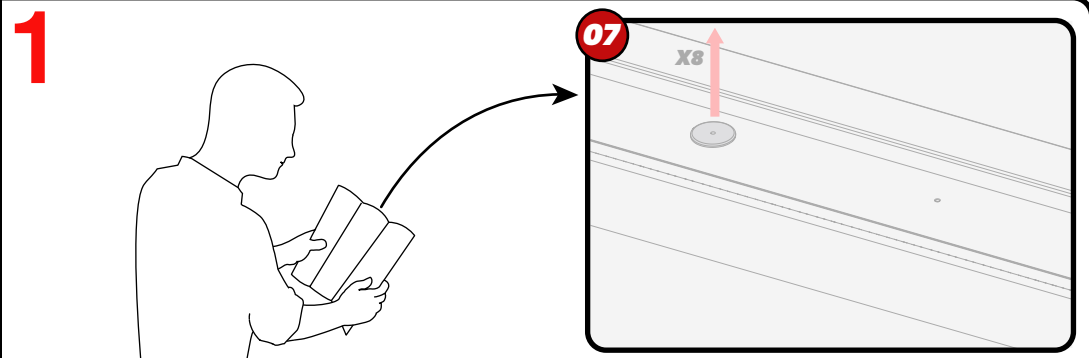
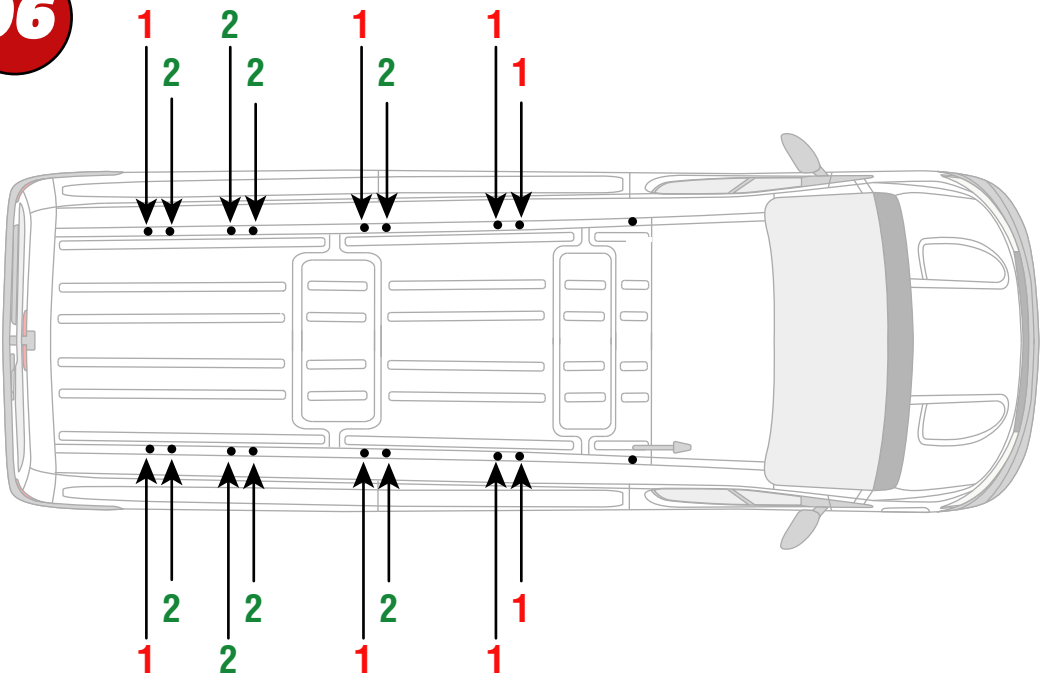
**X4**



**05**



**06**

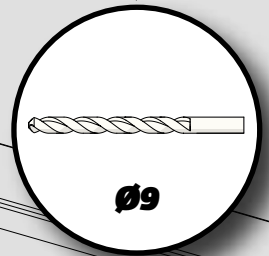
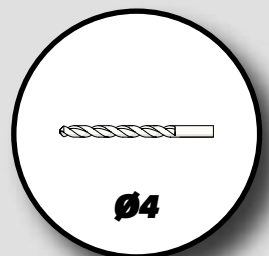
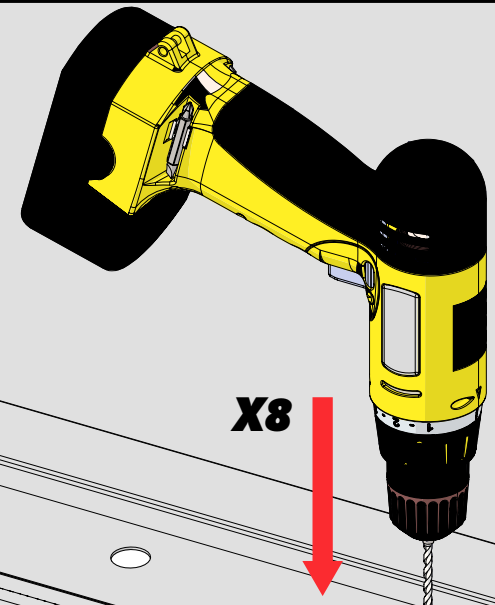


**07**

**X8**



**08**



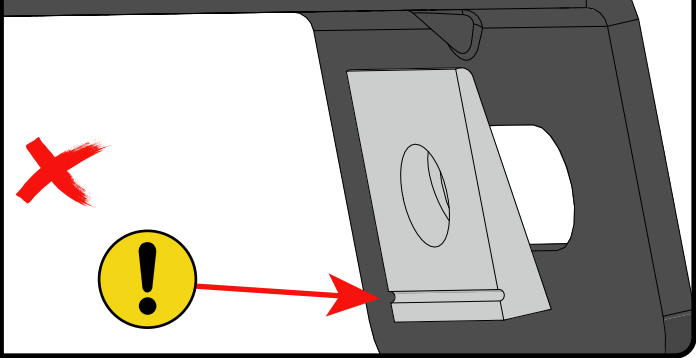
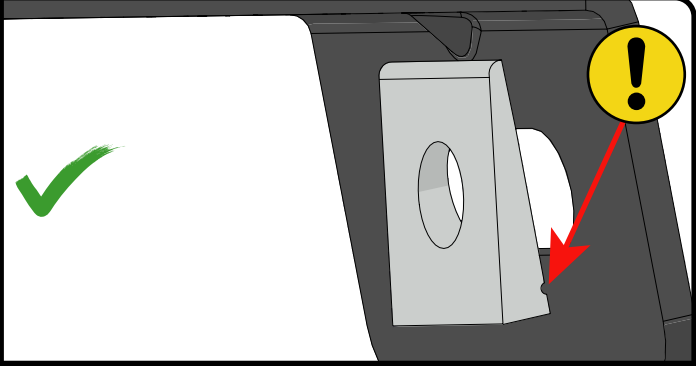
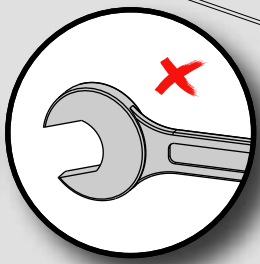
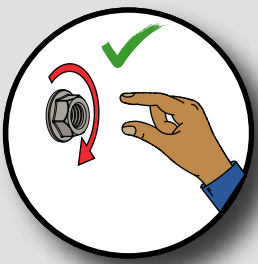
**09**

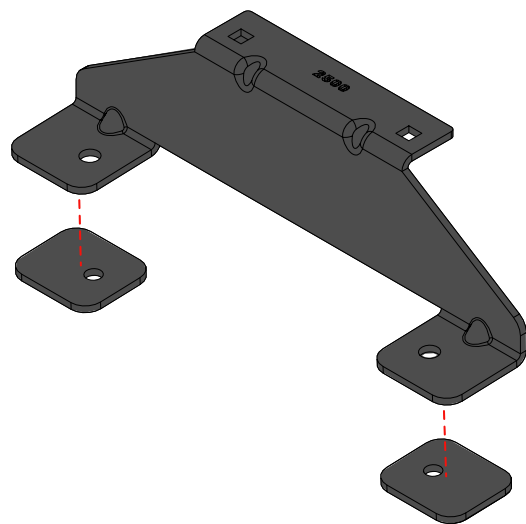
**FX4011 (M8)**

**X8**

**FX4318 (M8)**

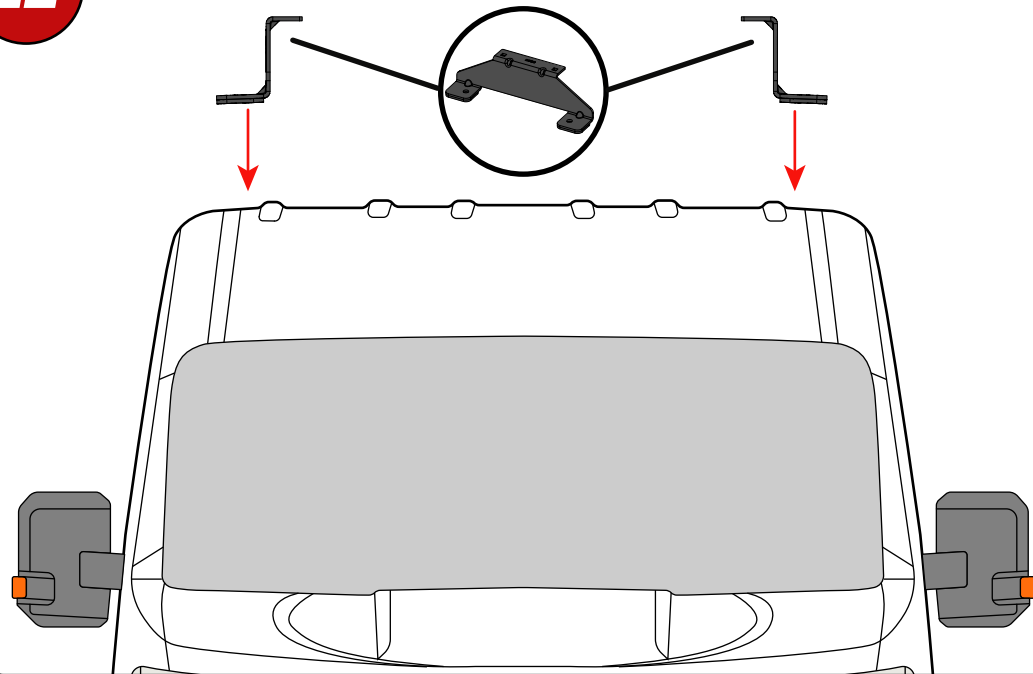
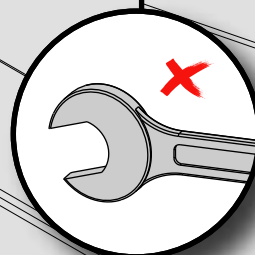
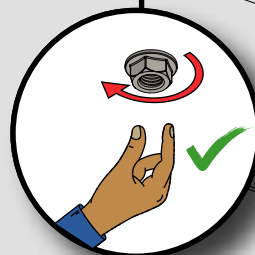
**FX4011 (M8)**

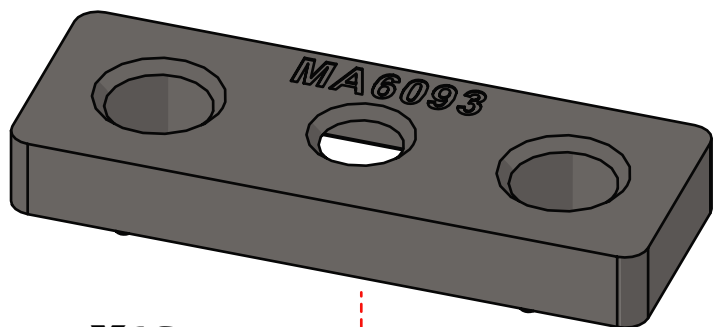
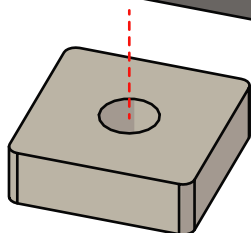
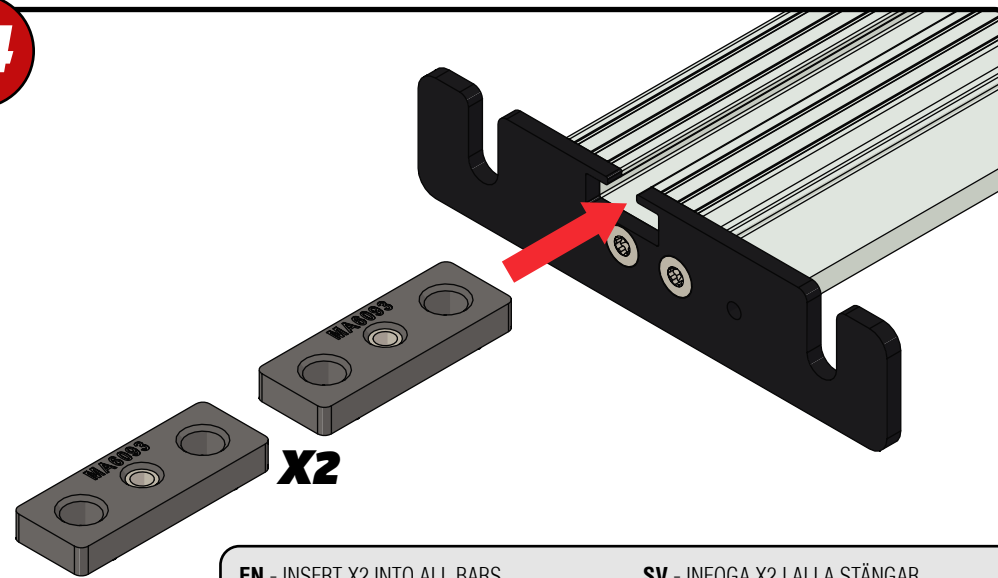


**10****X16**

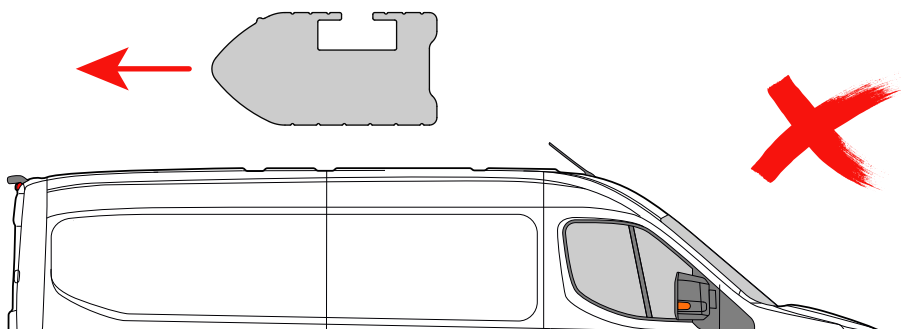
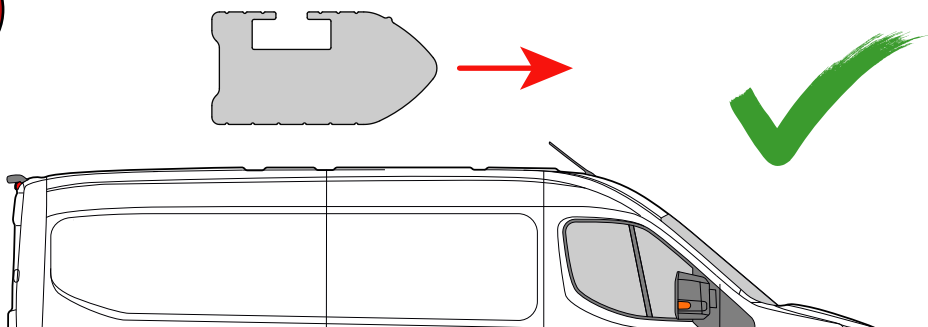
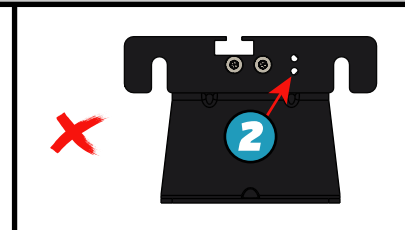
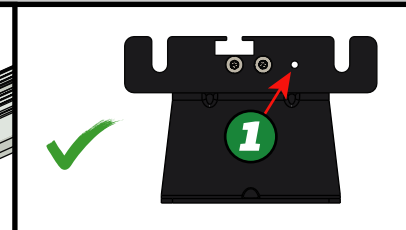
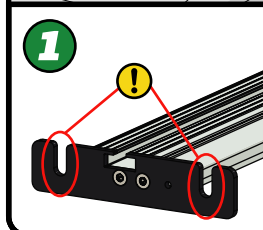
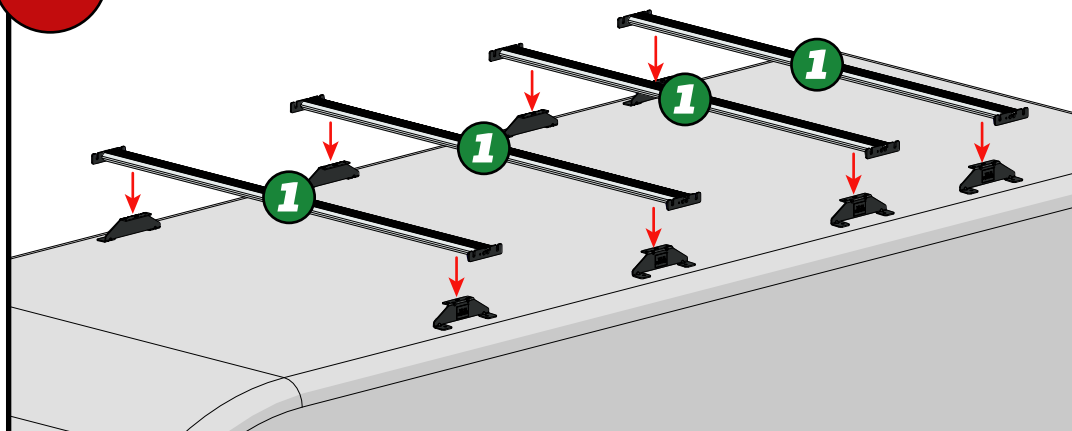
EN - STICK GASKETS TO ALL BRACKETS  
 DE - KLEBEN SIE DIE DICHTUNG AN ALLEN HALTERUNGEN  
 FR - COUSSINETS ADHÉSIFS À TOUS LES SUPPORTS  
 NL - PLAK PAKKING OP ALLE BEUGELS  
 ES - PEGA LAS ALMOHADILLAS A TODOS LOS SOPORTES  
 IT - ADESIVI GUARNIZIONI A TUTTE LE STAFFE

SV - FÄST GUMMI PÅ ALLA FÄSTEN  
 DA - KLÆB GUMMI PÅ ALLE BESLAG  
 NO - PLIST GUMMI PÅ ALLE BRAKKETTER  
 PL - NAKLEJ USZCZELKI DO WSZYSTKICH WSPORNIKÓW  
 CS - PRILEPTE TĚSNĚNÍ NA VŠECHNY DRŽÁKY

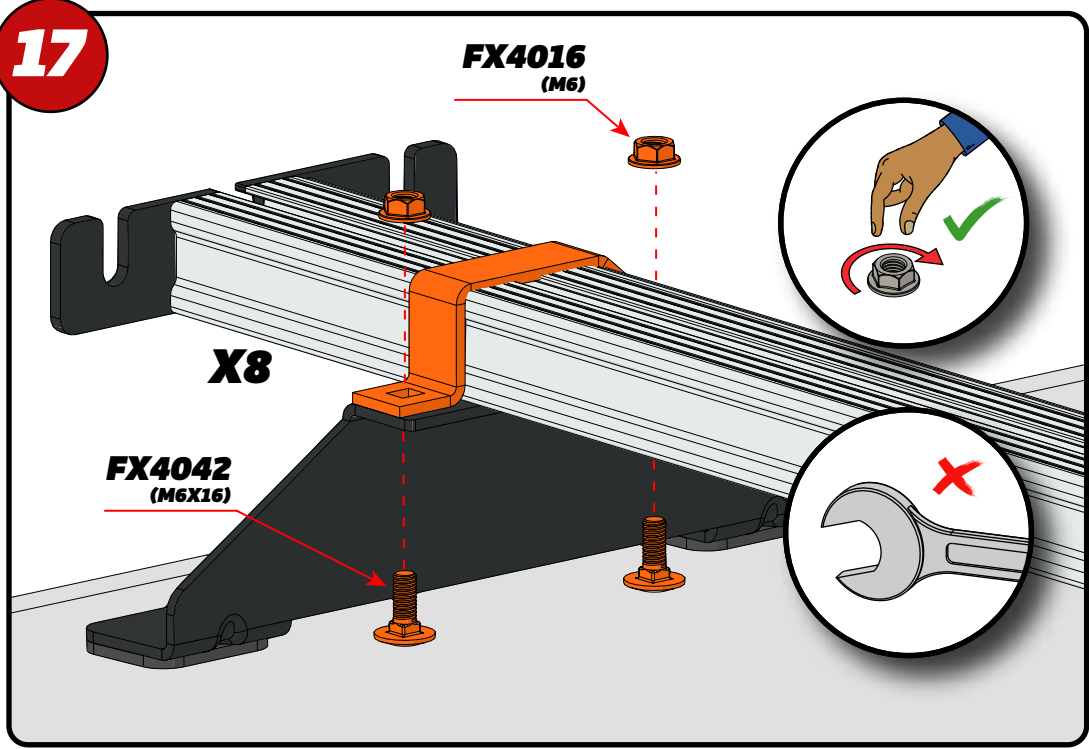
**11****12****FX4028**  
(M8X25)**X8****FX4011**  
(M8)**FX4014****X8****FX4011**  
(M8)

**13****X16****14****X2**

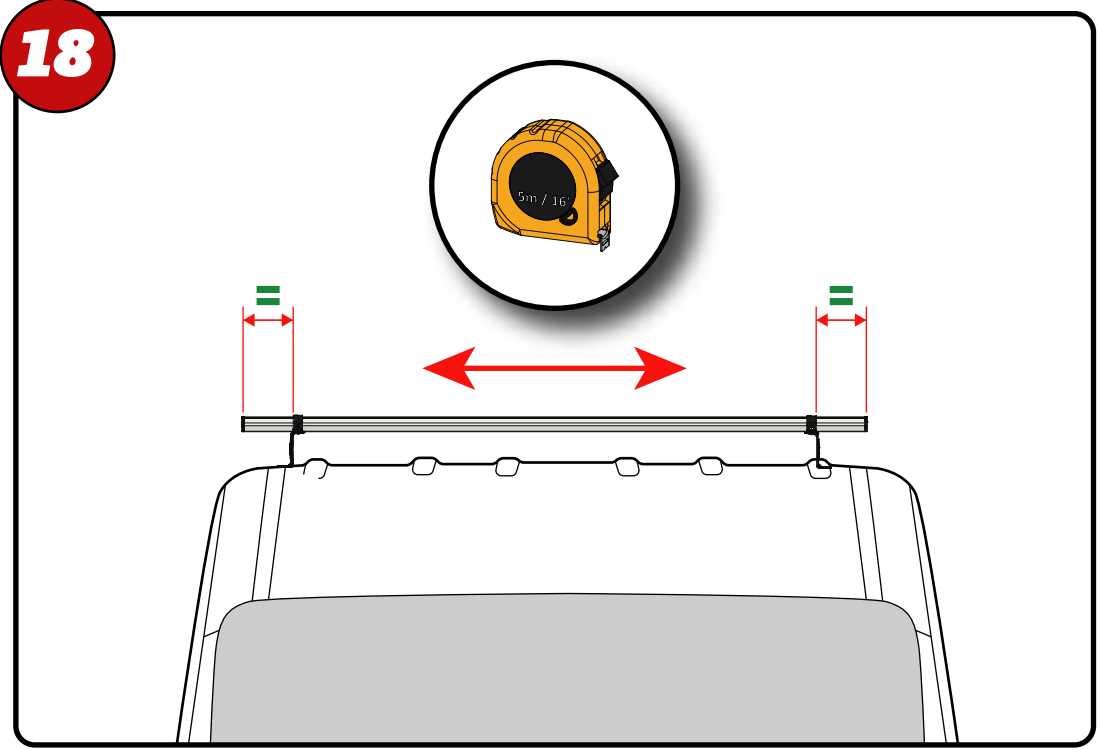
**EN** - INSERT X2 INTO ALL BARS  
**DE** - X2 IN ALLE STANGEN EINFÜGEN  
**FR** - INSÉRER X2 DANS TOUTES LES BARRES  
**NL** - PLAATS X2 IN ALLE BARS  
**ES** - INSERTAR X2 EN TODAS LAS BARRAS  
**IT** - INSERIRE X2 IN TUTTE LE BARRE  
**SV** - INFOGA X2 I ALLA STÄNGAR  
**DA** - INDSÆT X2 I ALLE STÆNGER  
**NO** - SETTE X2 I ALLE STENGENE  
**PL** - WSTAW X2 DO WSZYSTKICH PRĘTÓW  
**CS** - VLOŽTE X2 DO VŠECH TYČÍ

**15****16**

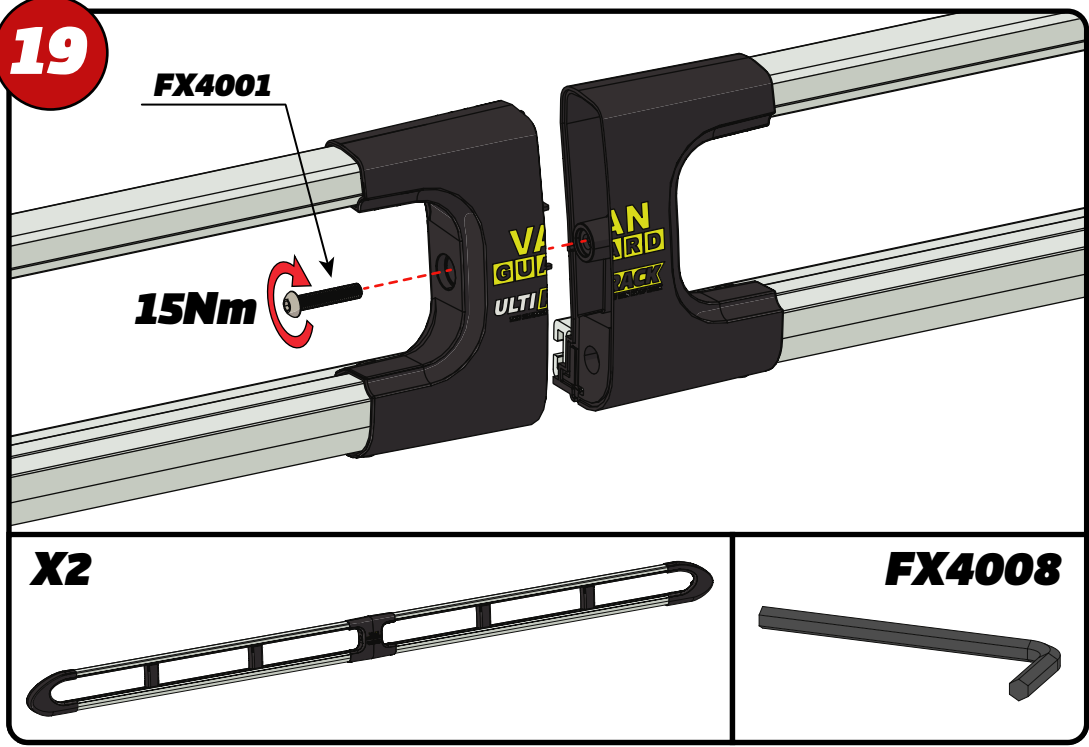
17



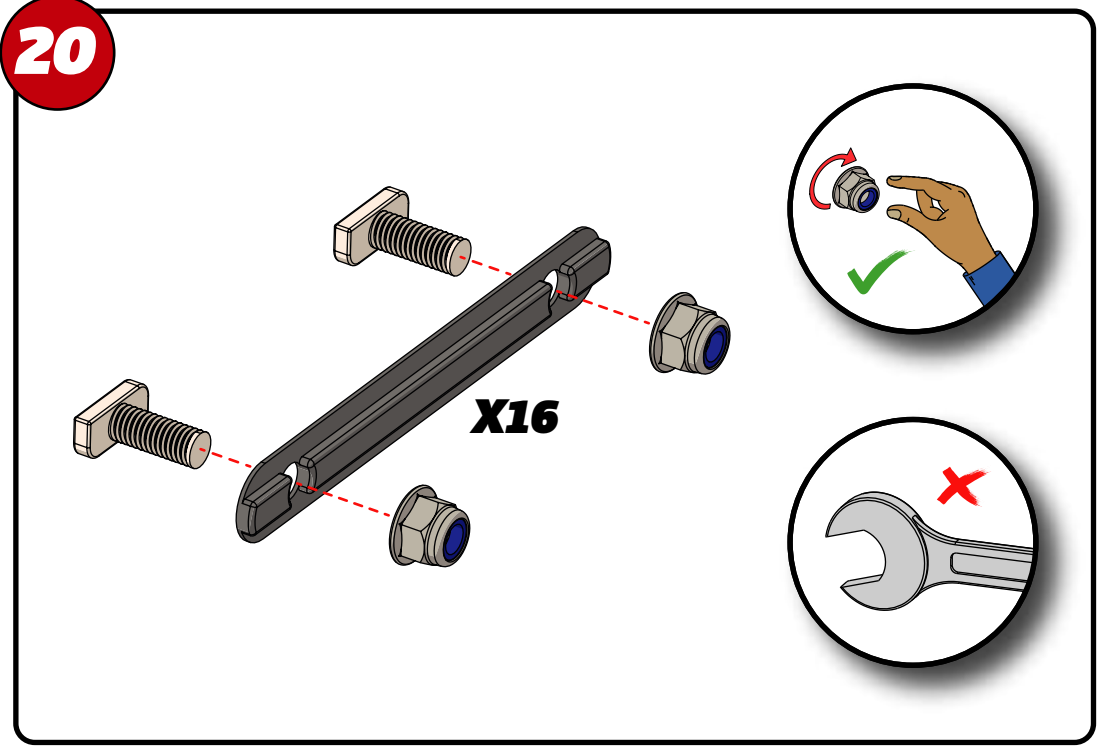
18



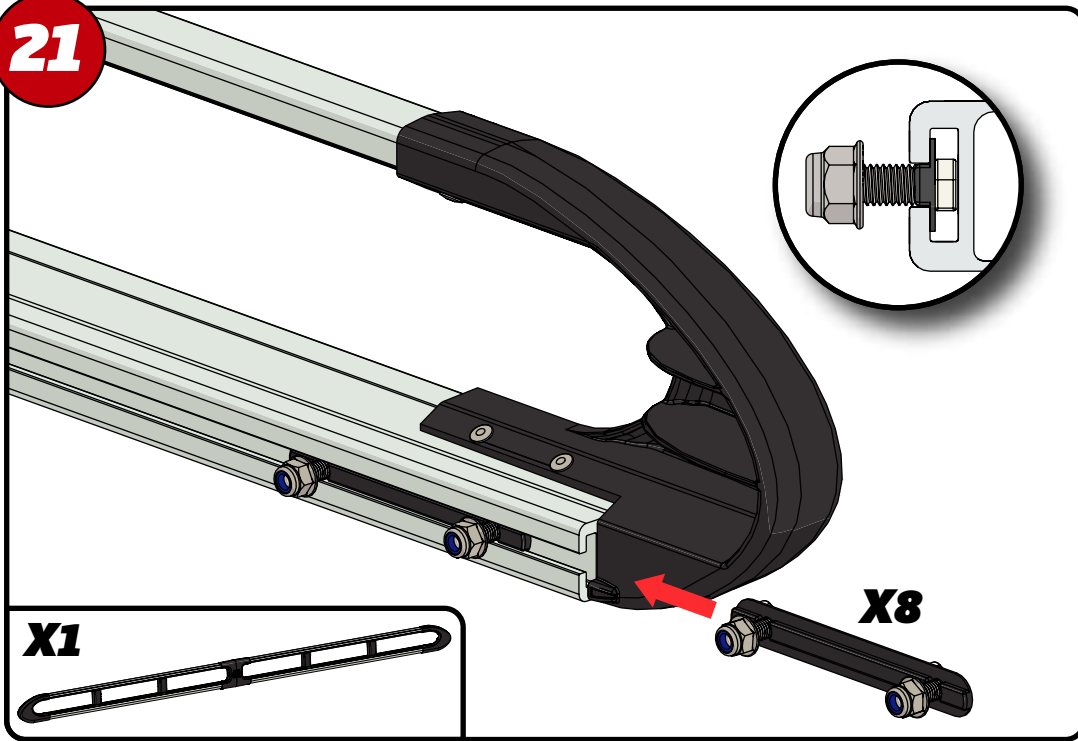
19



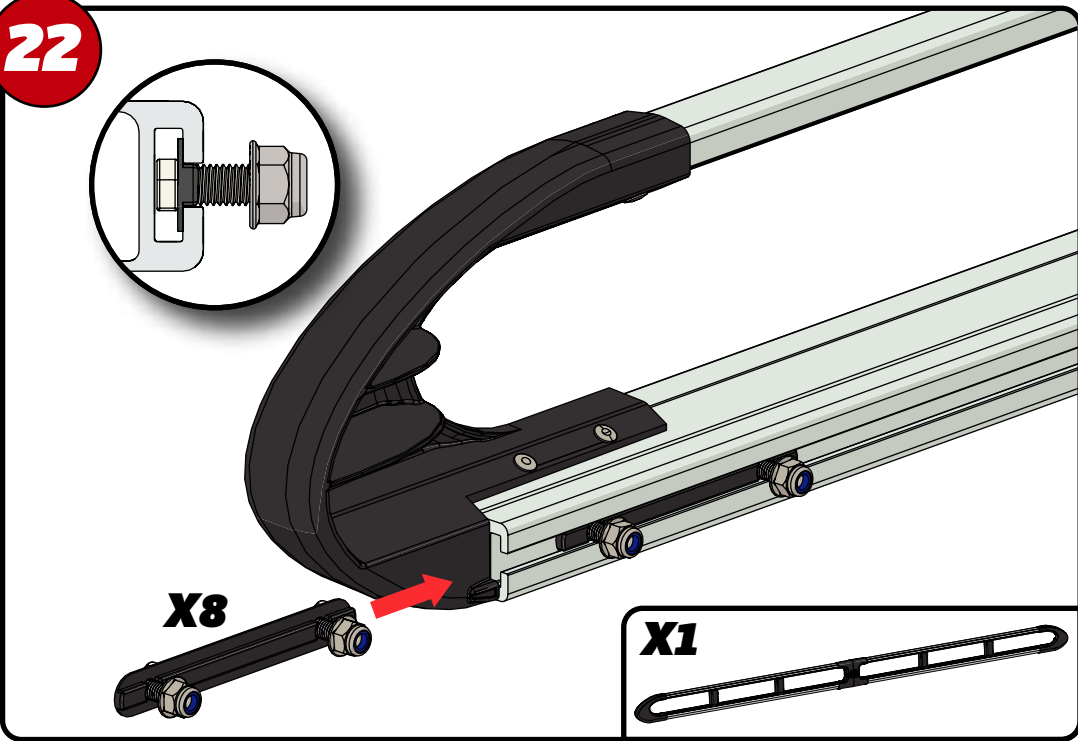
20



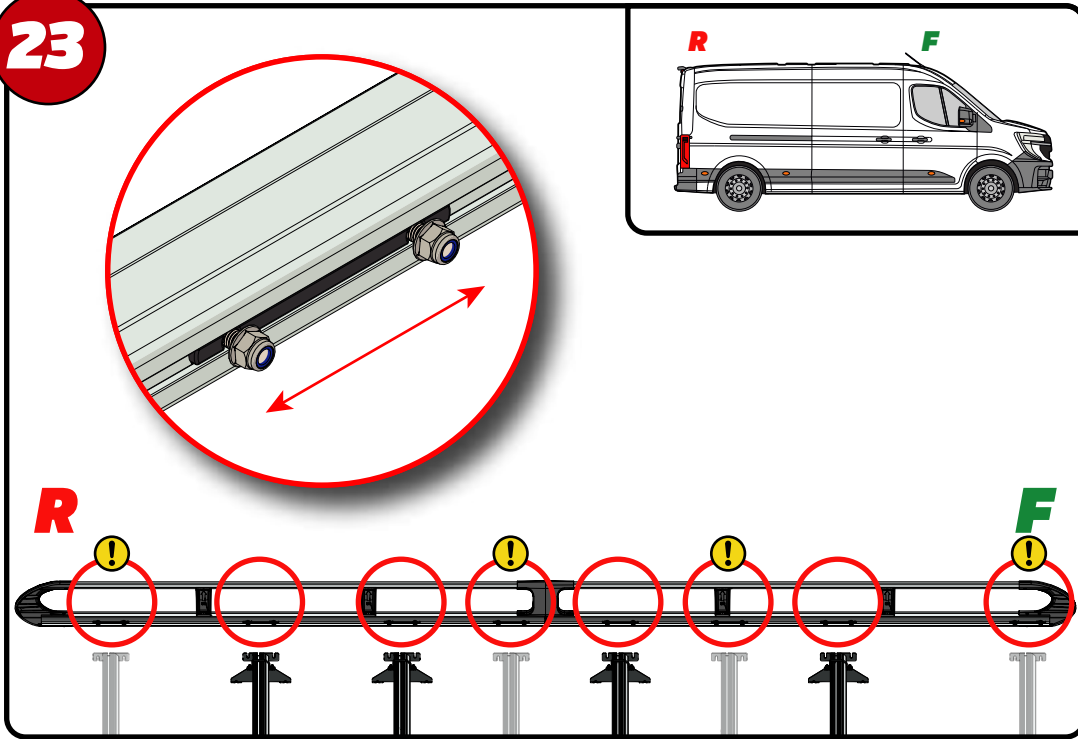
21



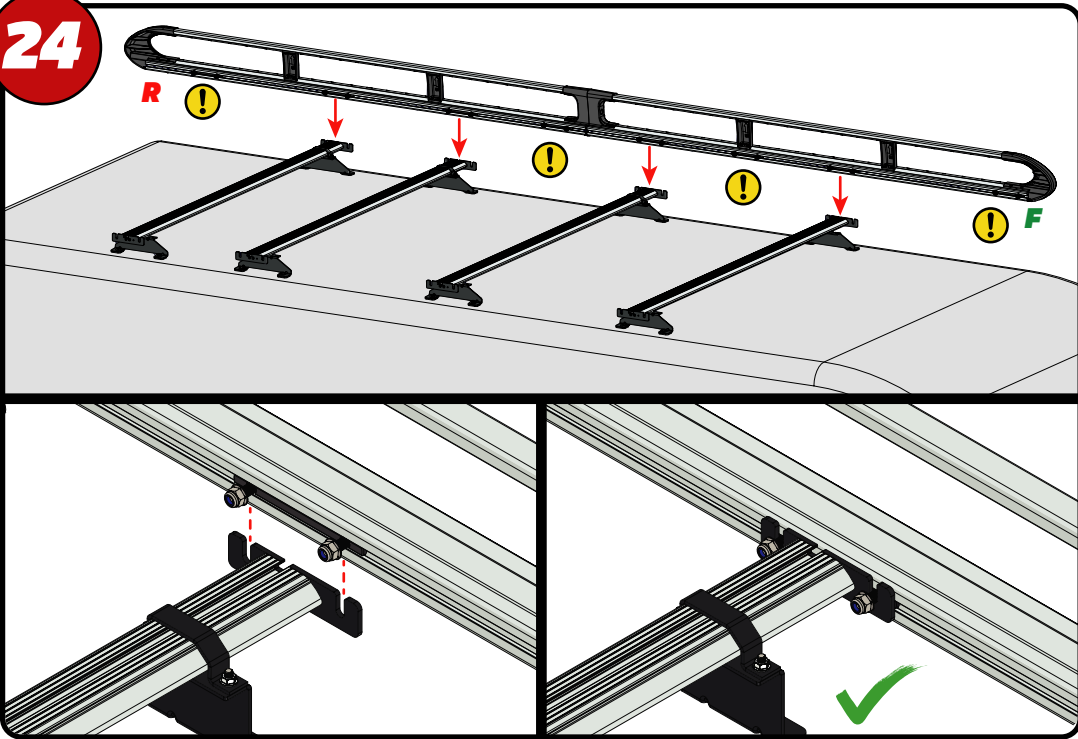
22



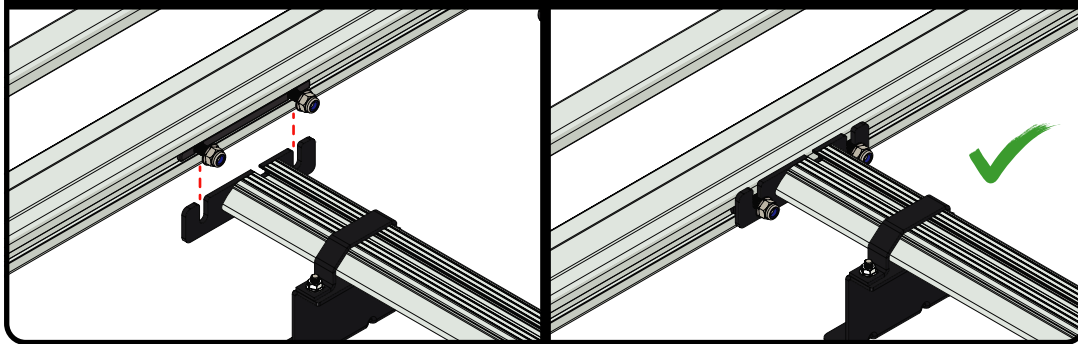
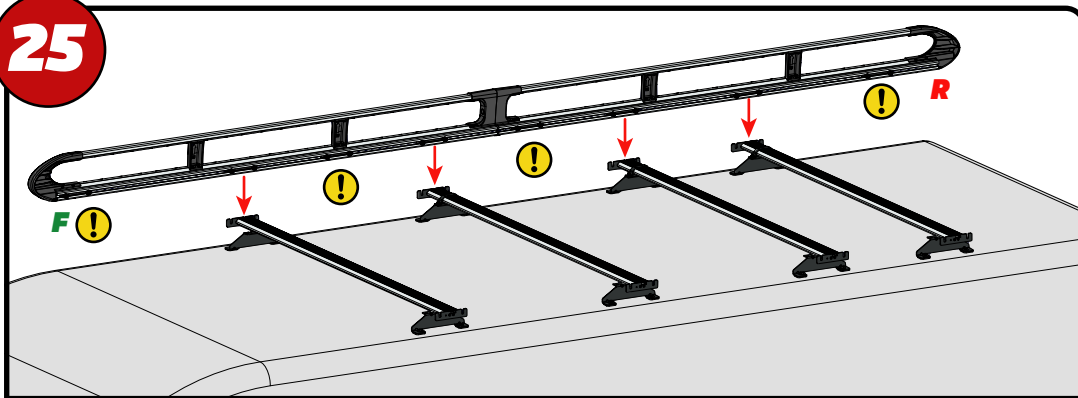
23



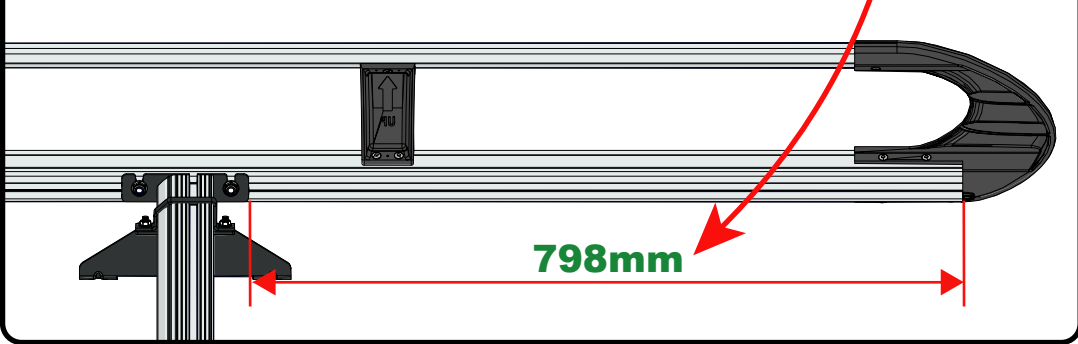
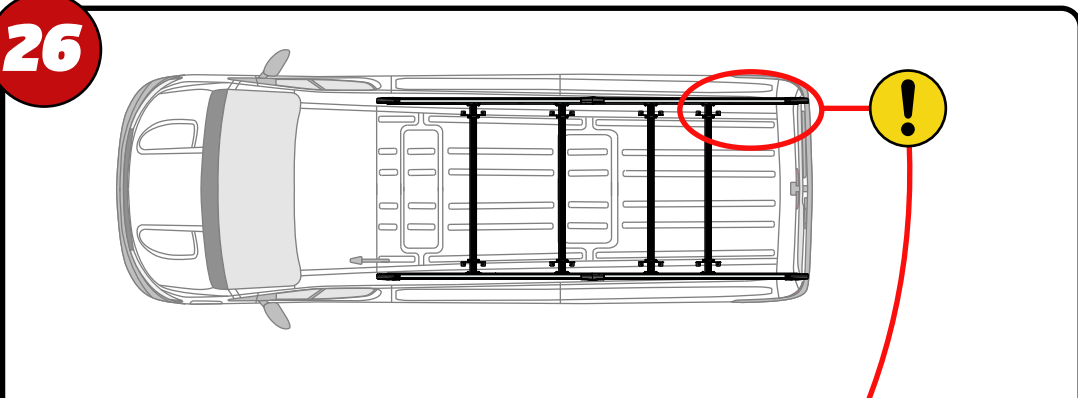
24



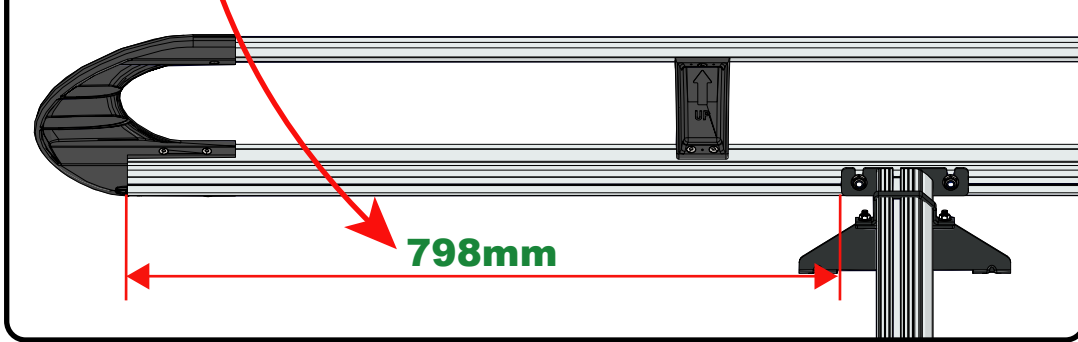
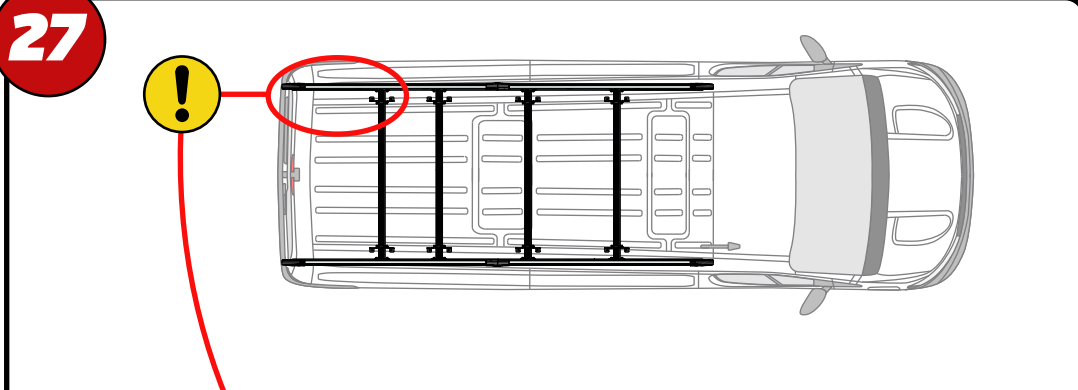
25



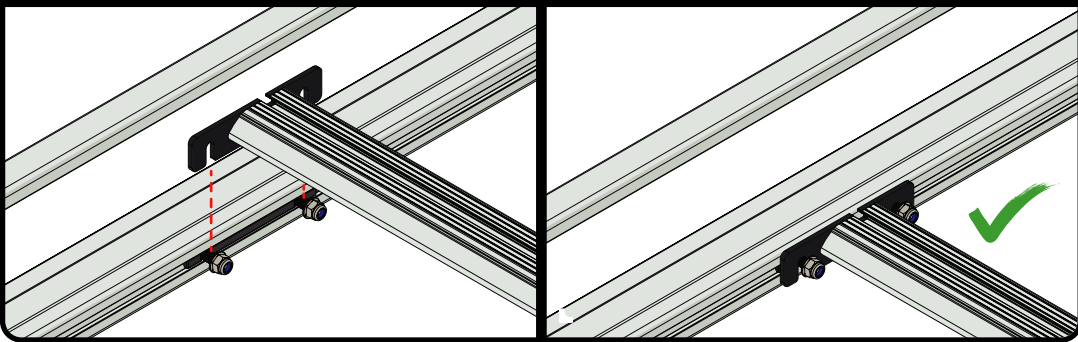
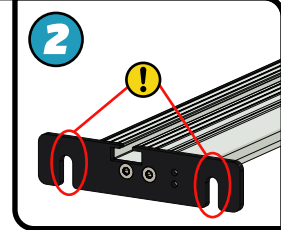
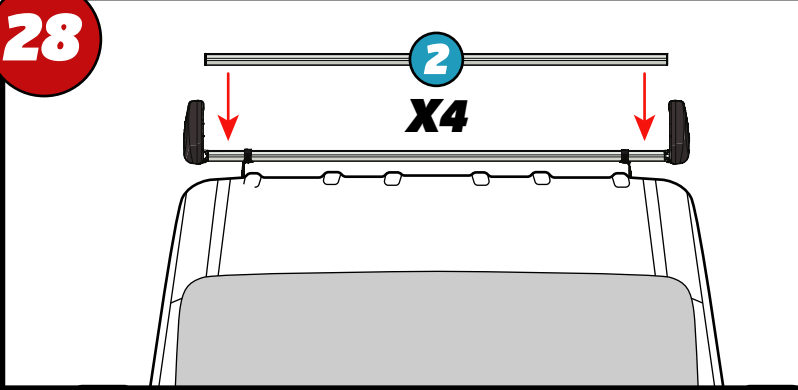
26



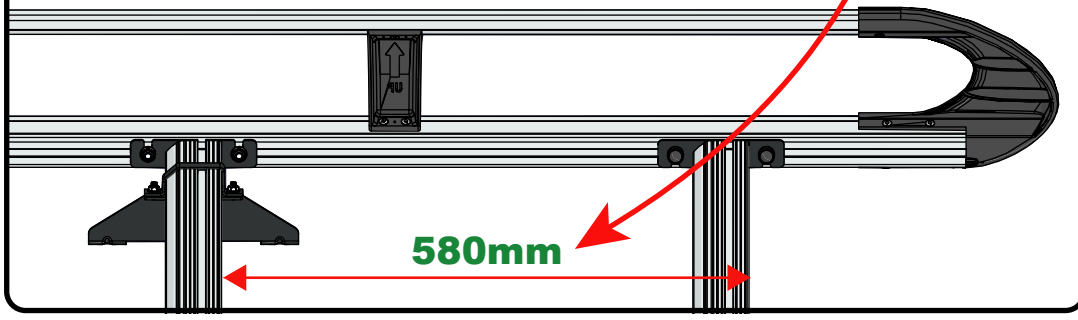
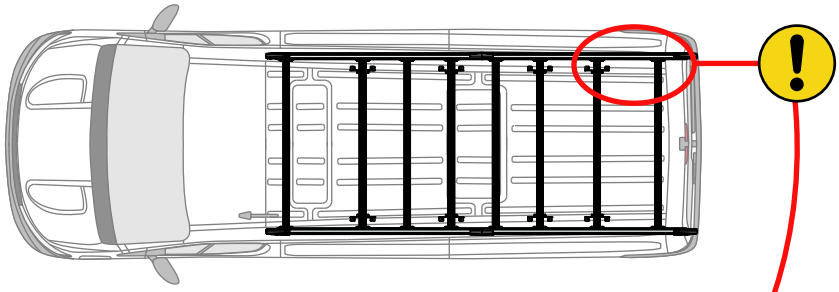
27



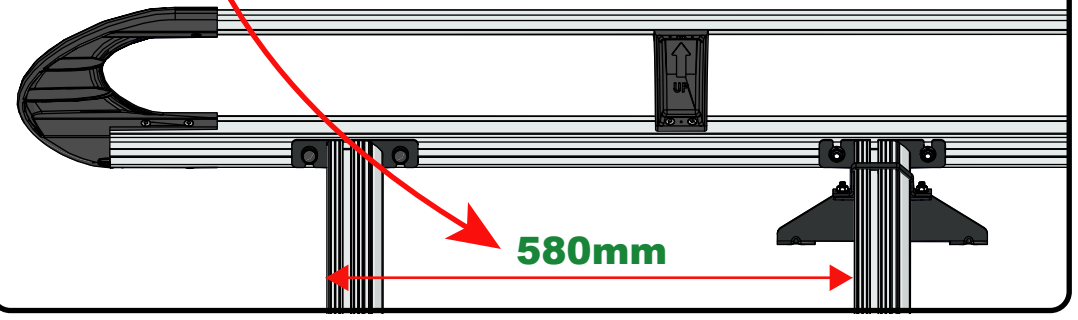
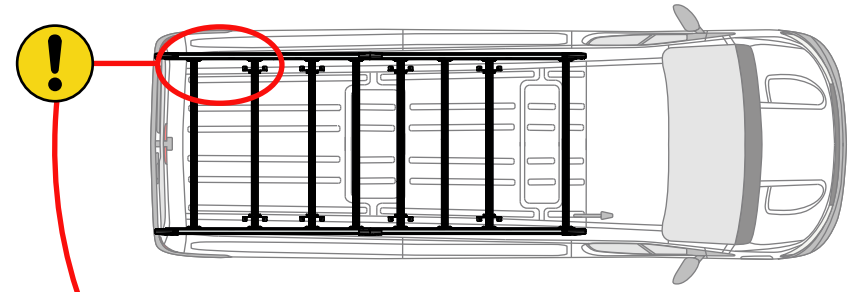
28



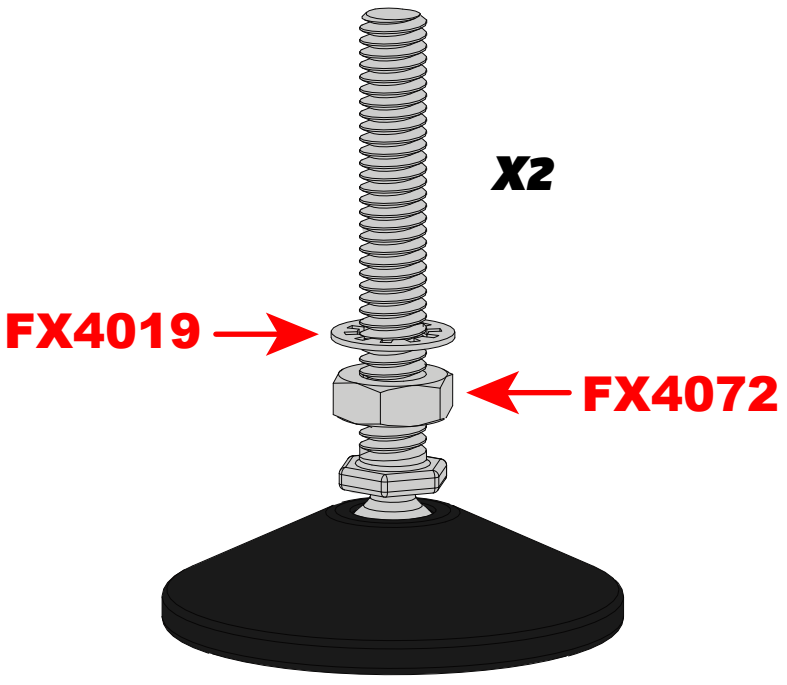
**29**



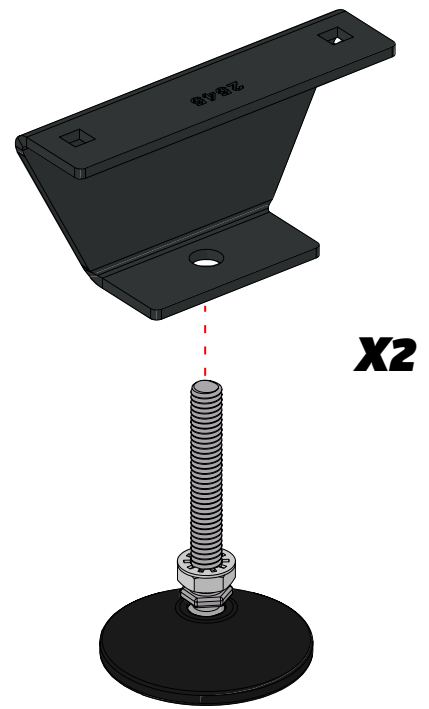
**30**



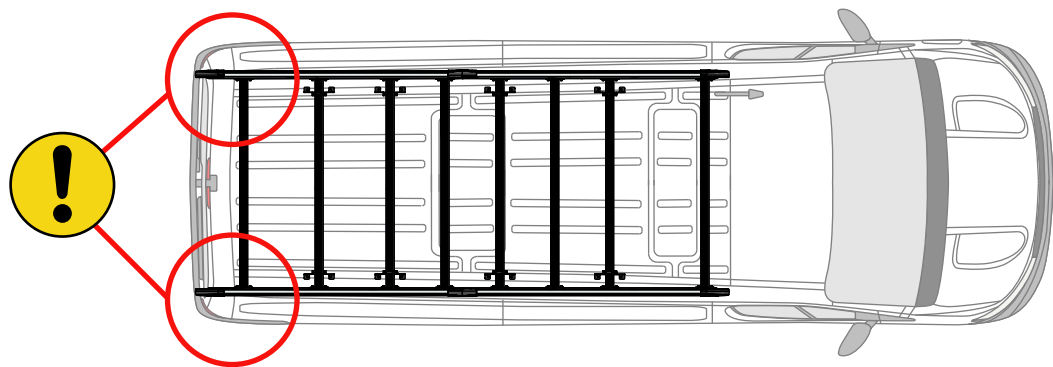
**31**



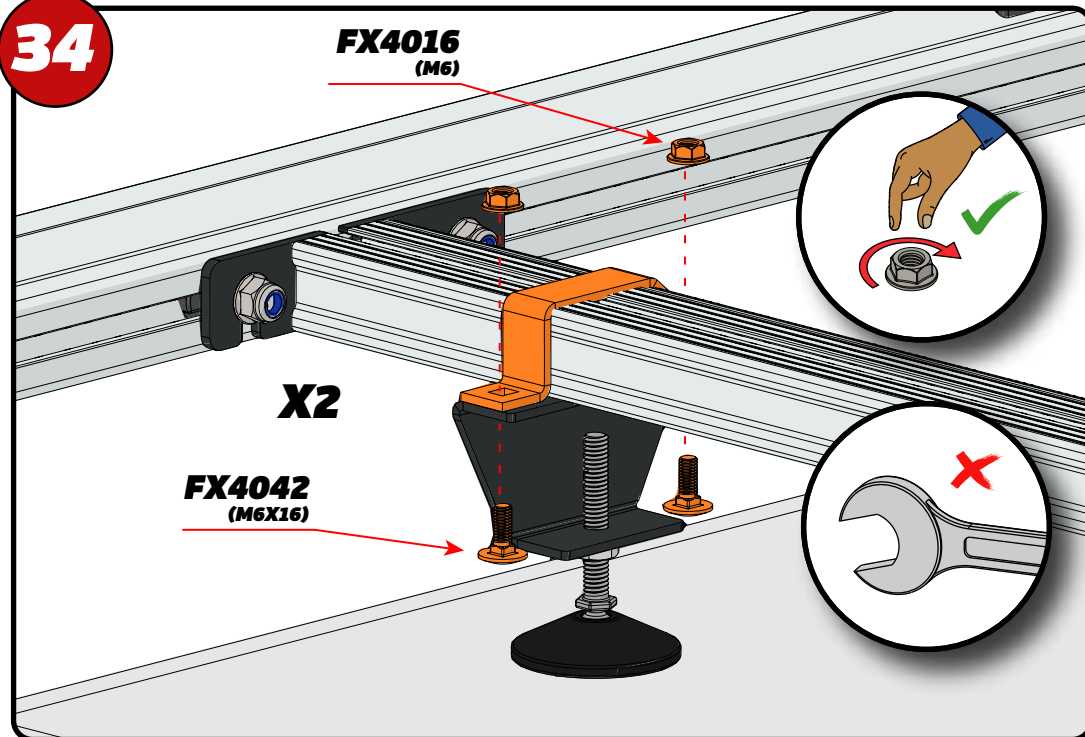
**32**



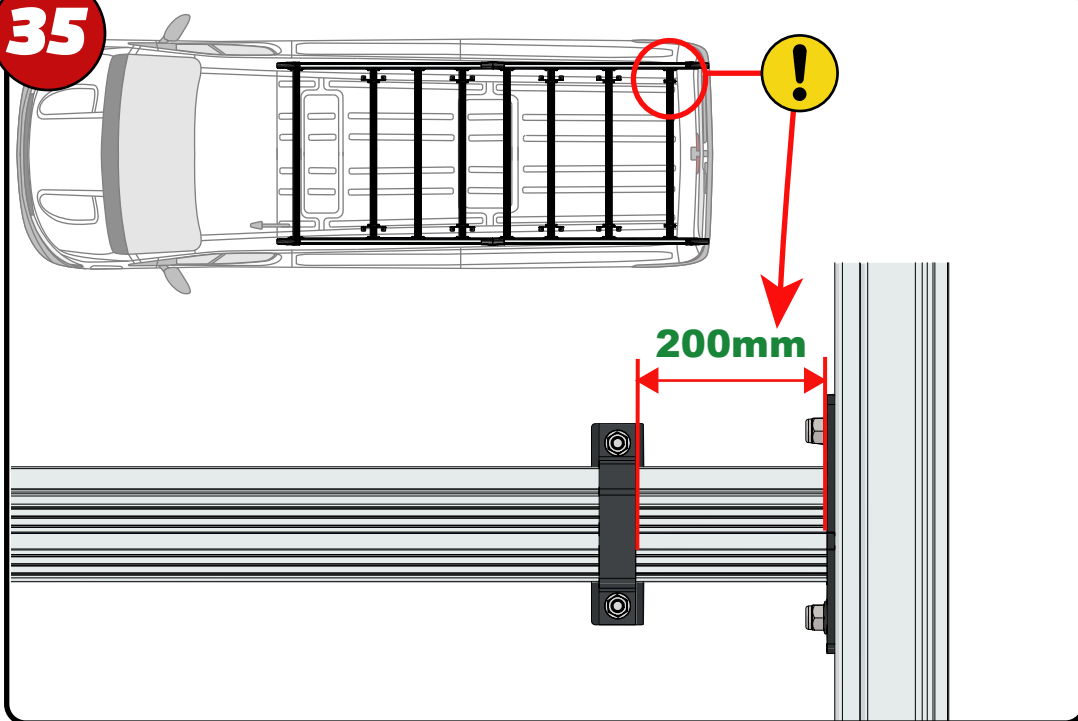
33



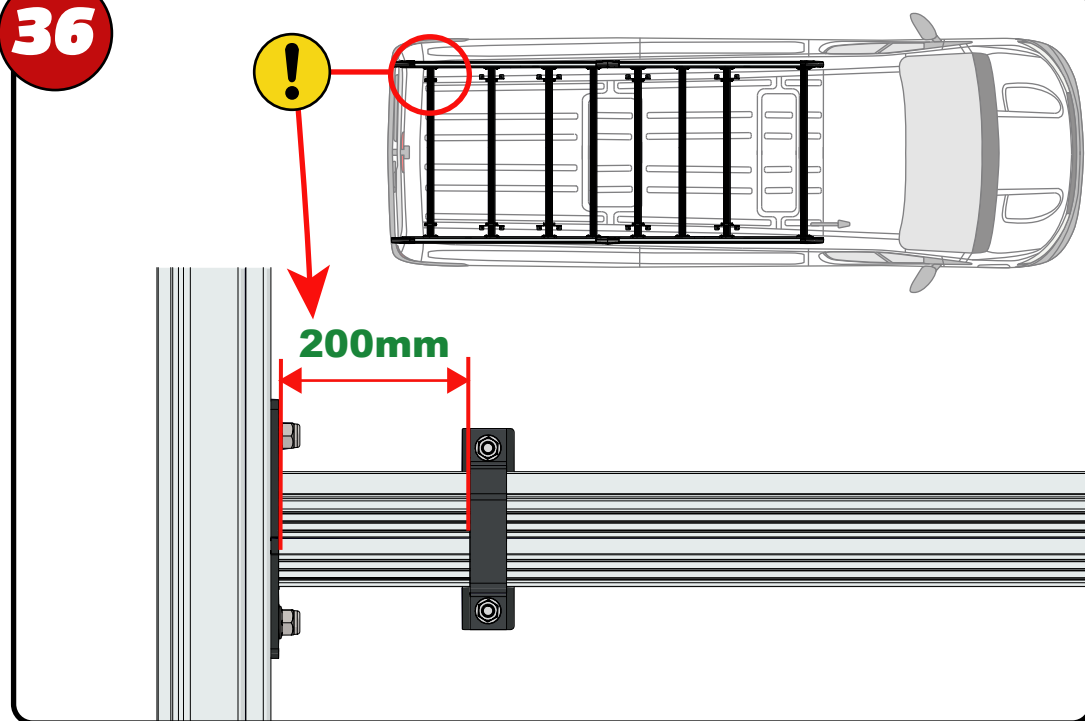
34

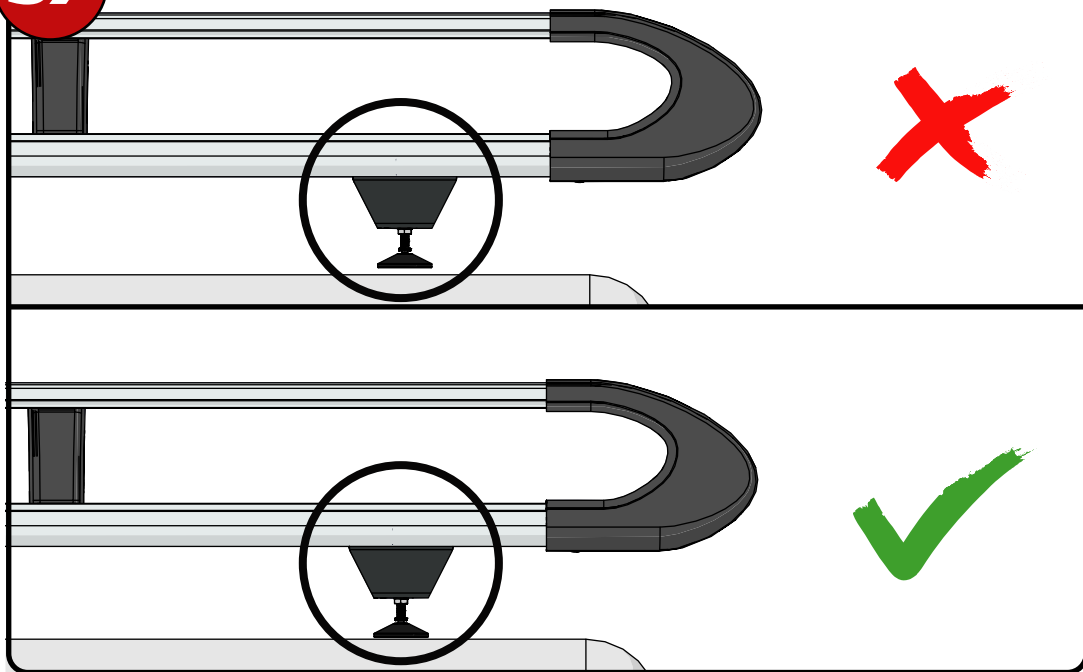
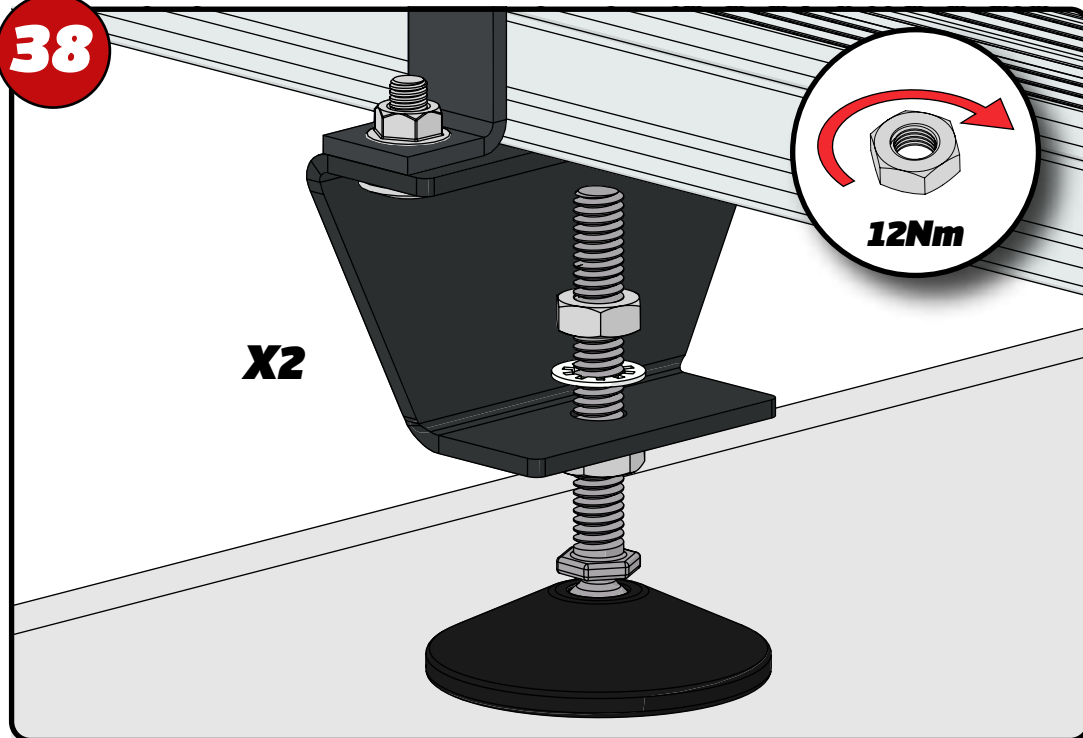


35

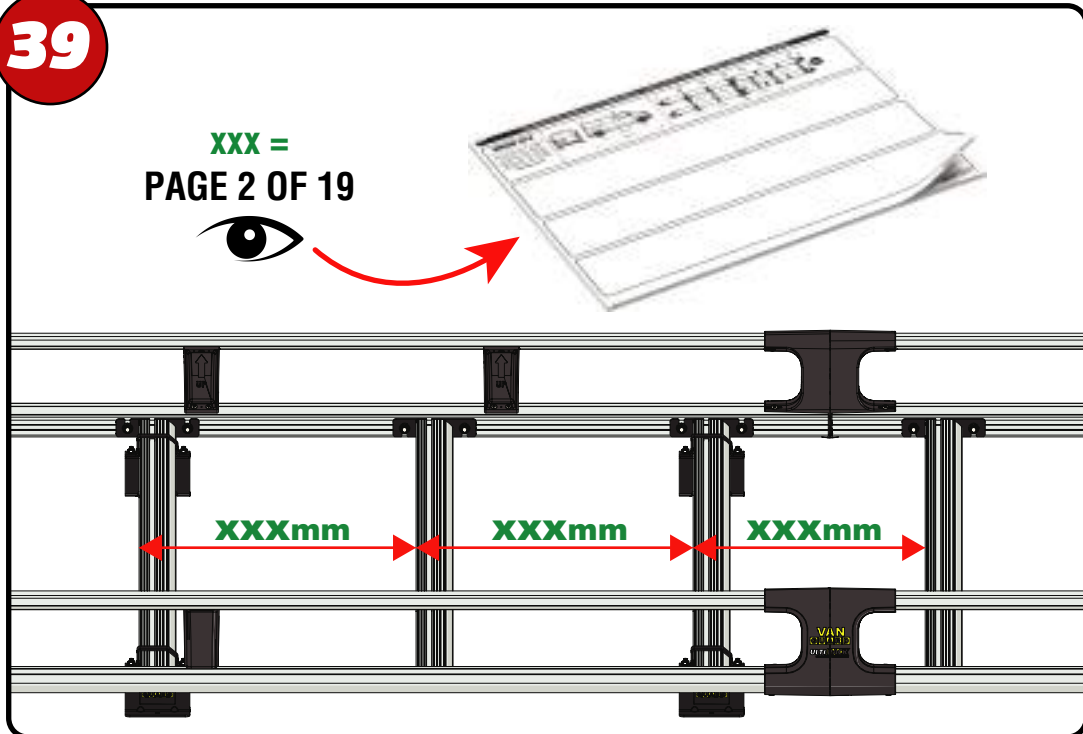
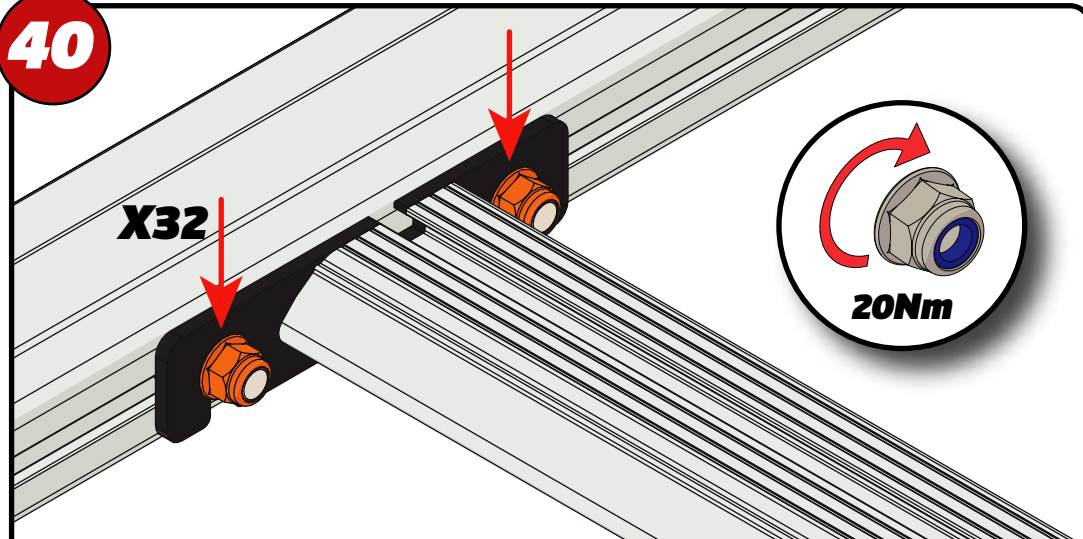


36



**37****38****39**

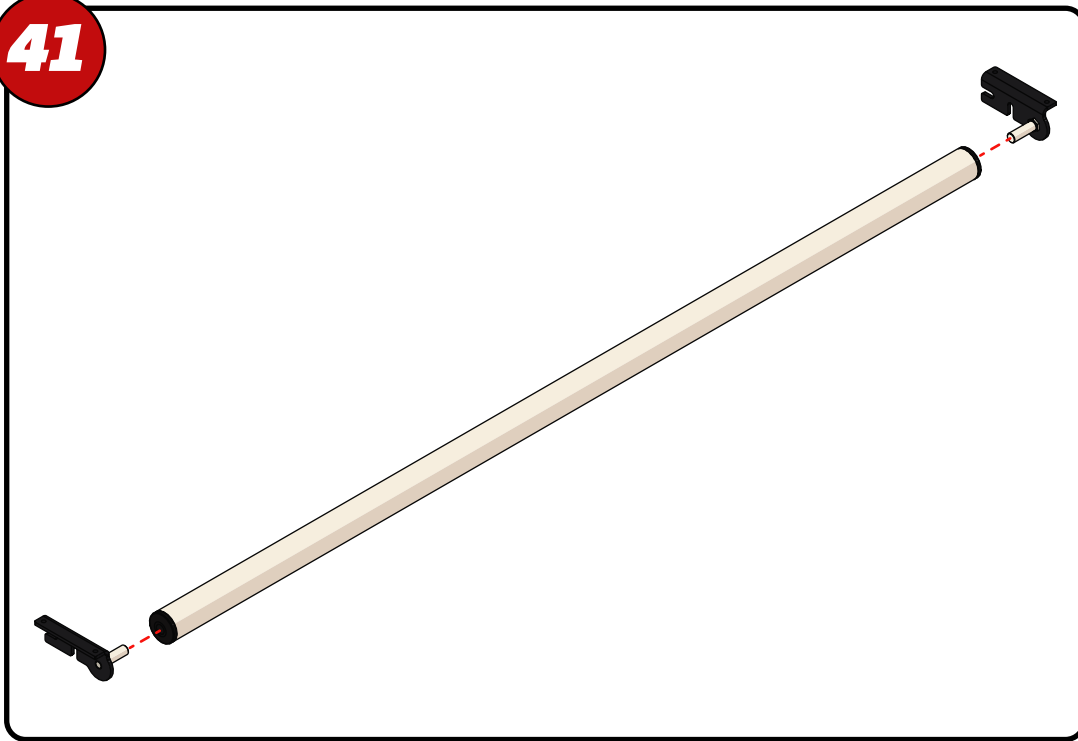
XXX =  
PAGE 2 OF 19

**40**

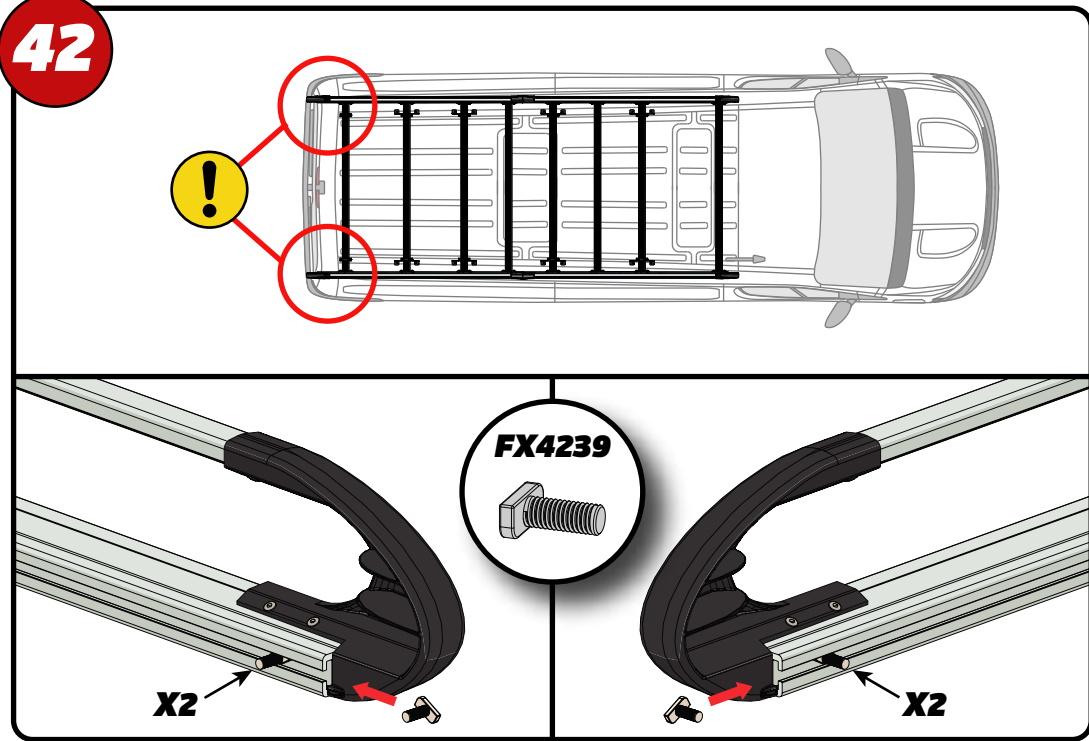
EN - TIGHTEN ALL OF THE CROSS BARS  
 DE - ALLE QUERSTANGEN FESTZIEHEN  
 FR - SERREZ TOUTES LES BARRES TRANSVERSALES  
 NL - DRAAI ALLE DWARSBALK VAN HET DAK AAN  
 ES - APRIETE TODAS LAS BARRAS TRANSVERSALES  
 IT - STRINGERE TUTTE LE BARRE TRASVERSALI

SV - SKRU UPP ALLA KORSSTANGAR  
 DA - SKRU ALLE TAGBØJLER OP  
 NO - SKRU OPP ALLE TVERRSTENGER  
 PL - DOKRĘCIĆ WSZYSTKIE POPRZECZKI  
 CS - VŠECHNY PŘÍČNÉ TYČE SEŠROUJTE

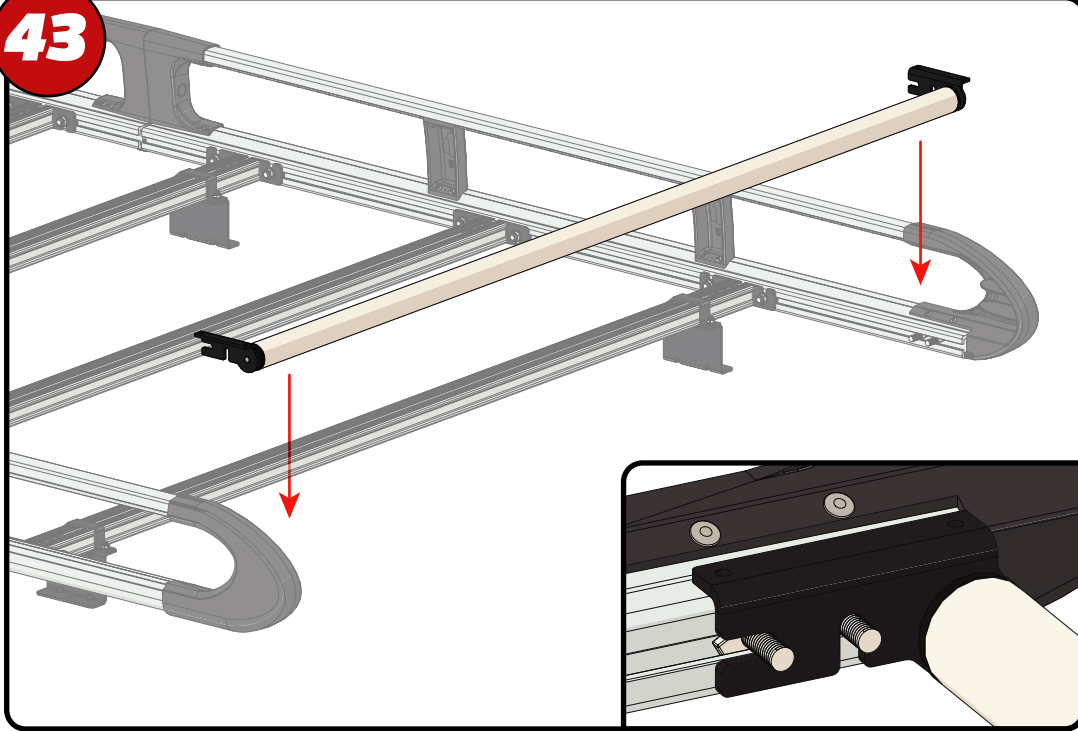
41



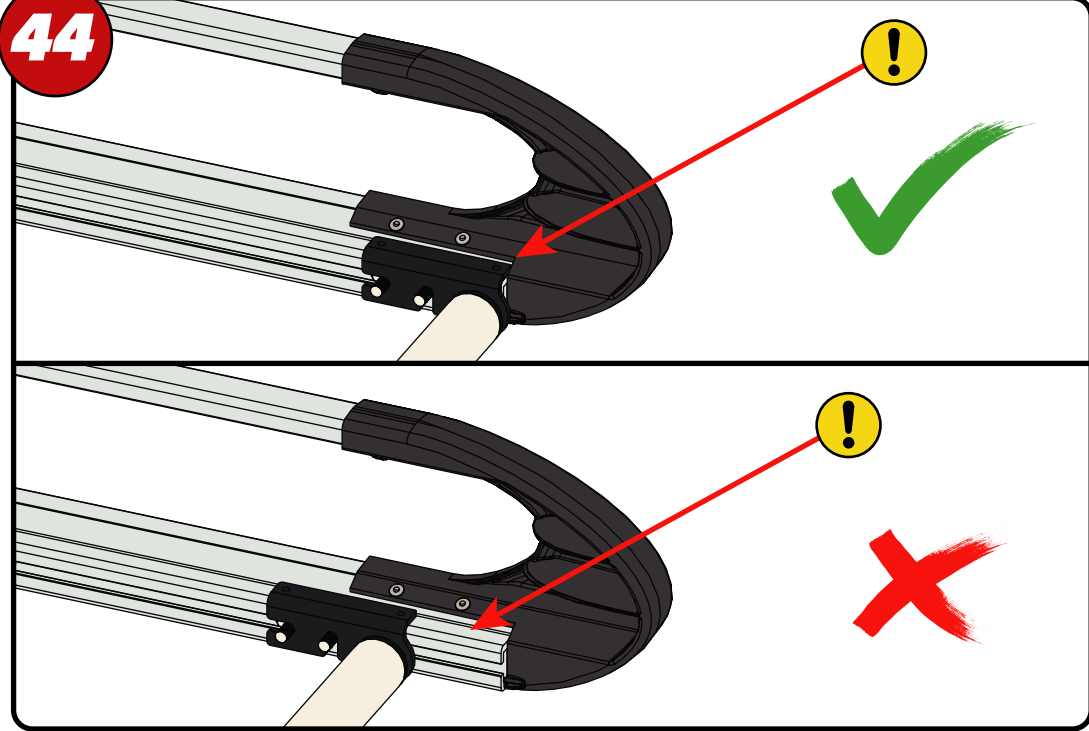
42



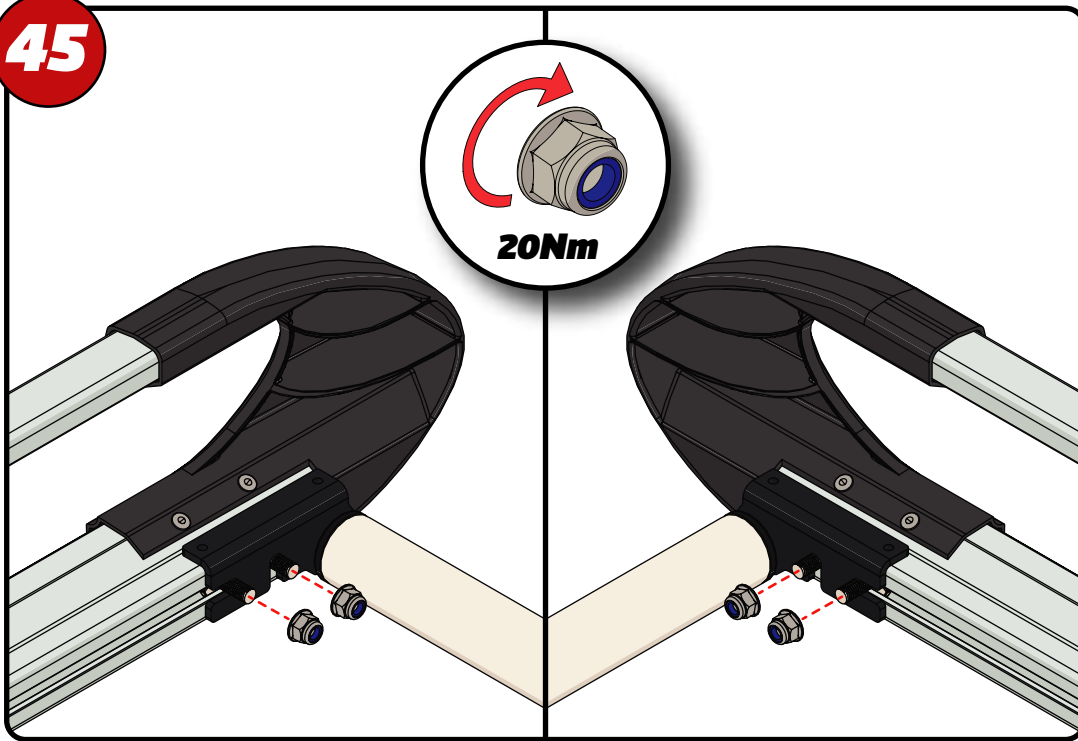
43



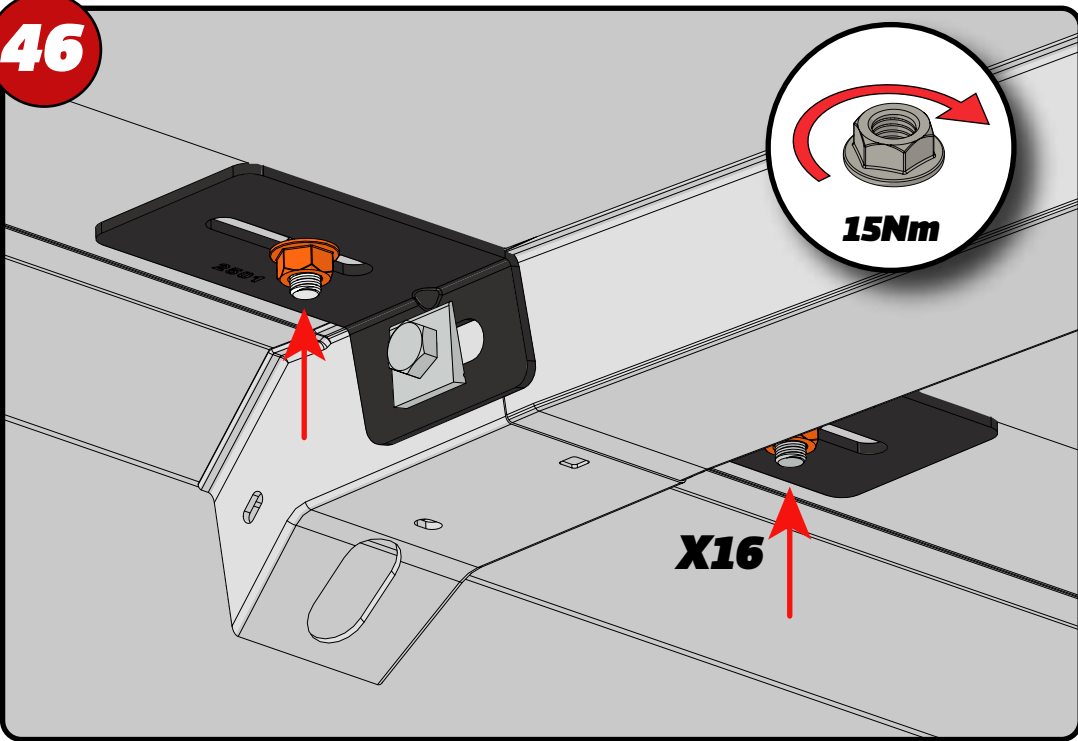
44



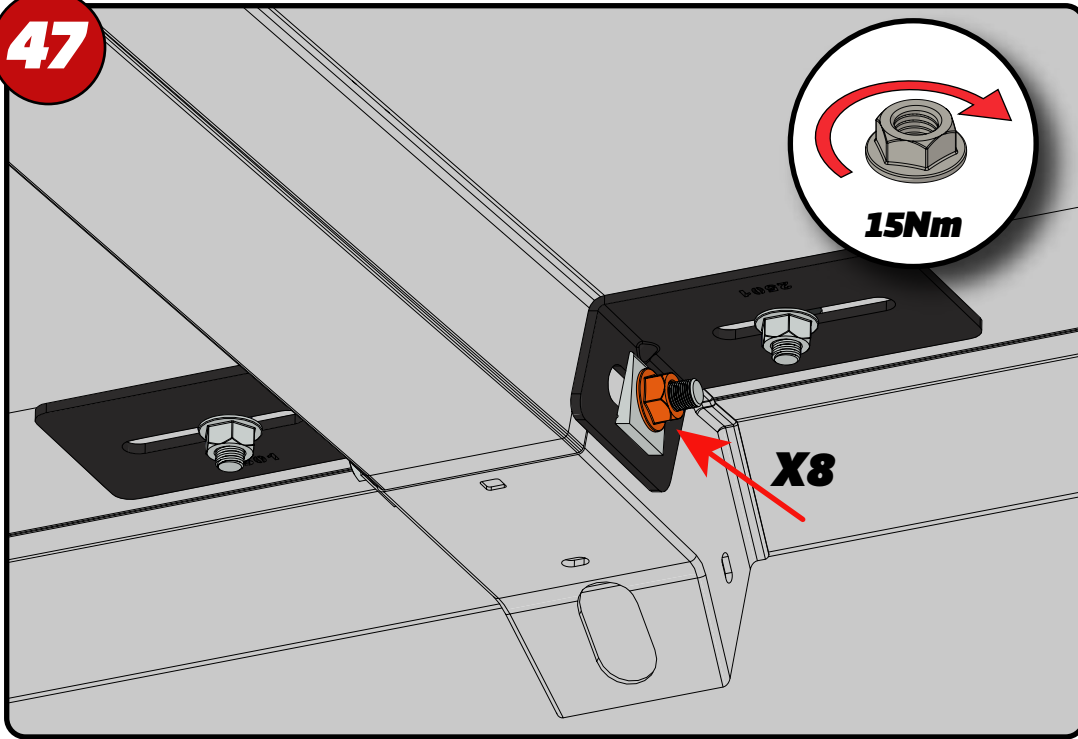
**45**



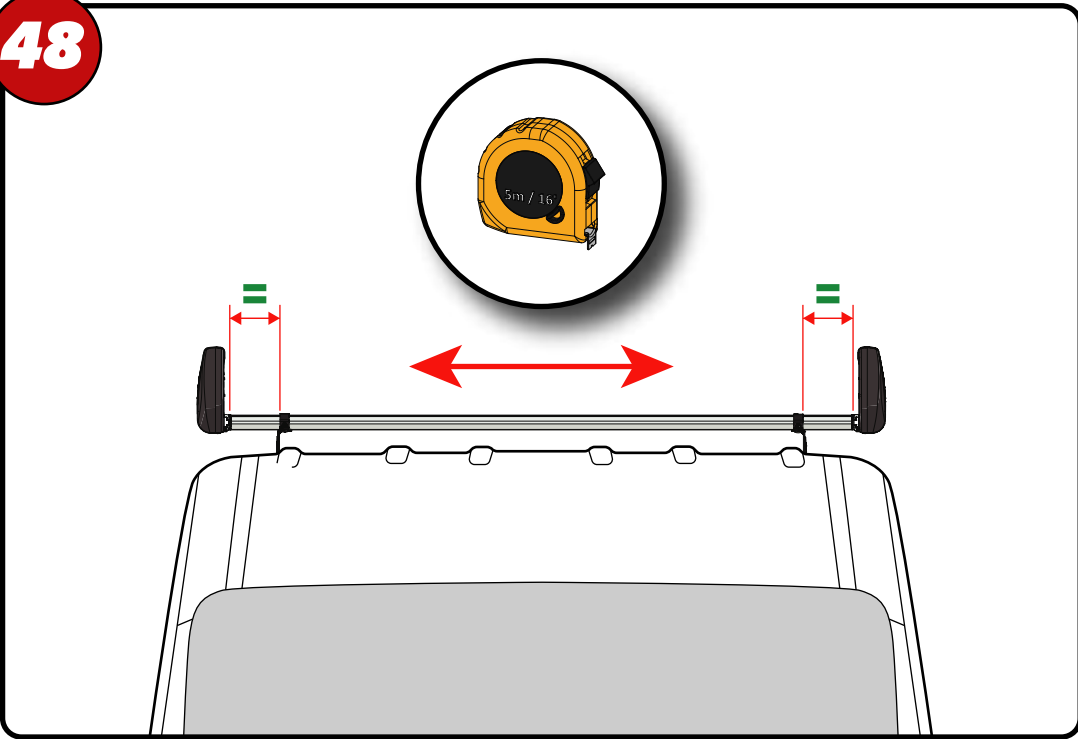
**46**



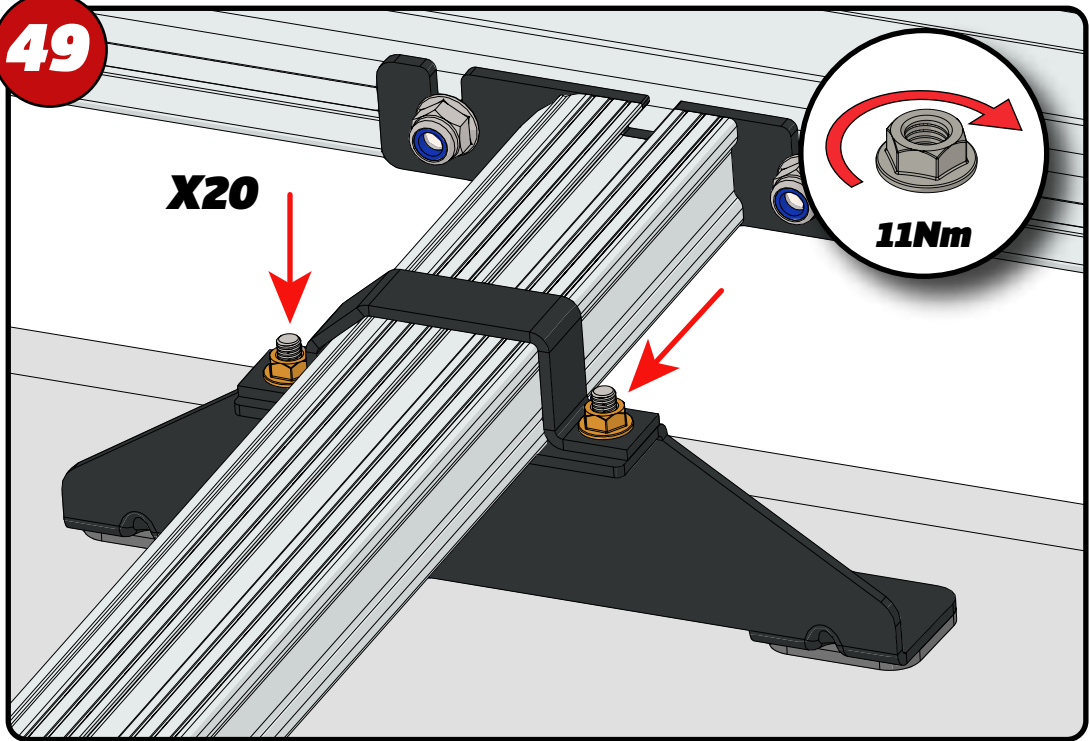
**47**



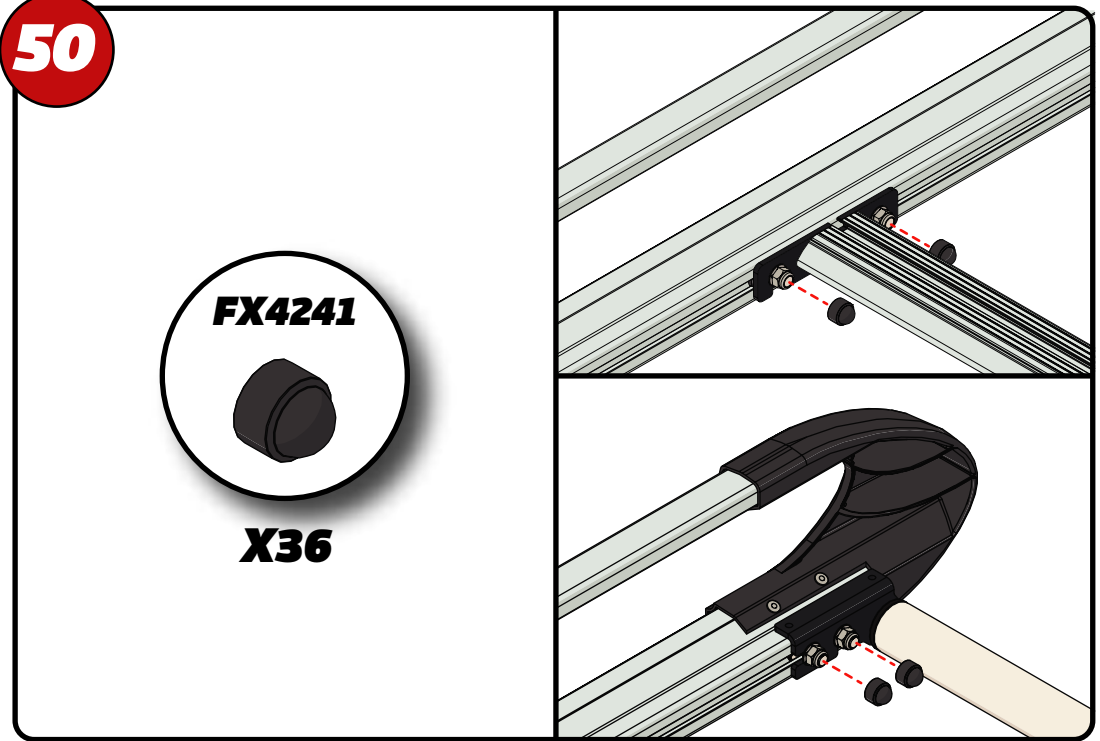
**48**



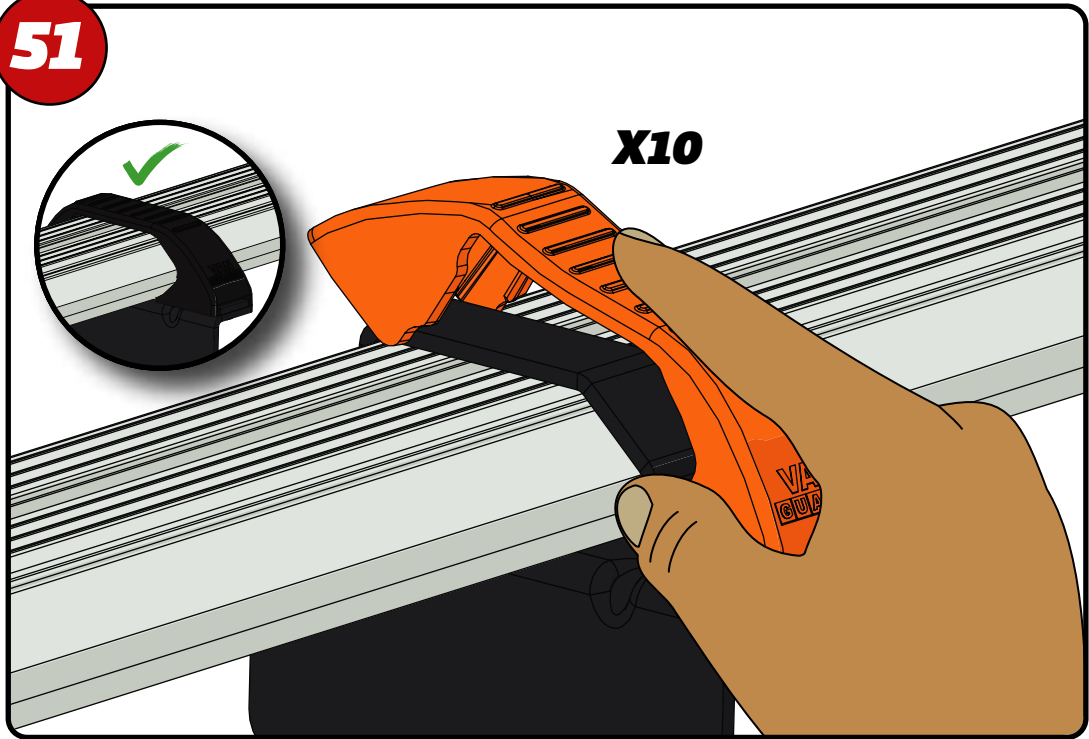
**49**



**50**



**51**



**52**

