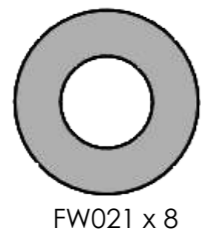
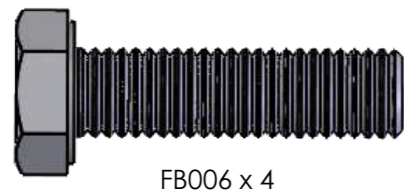
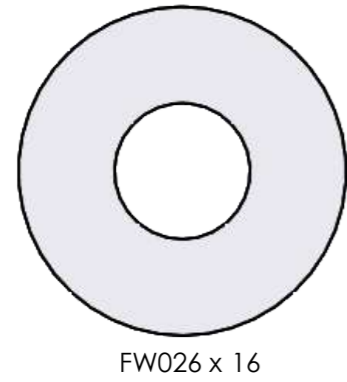
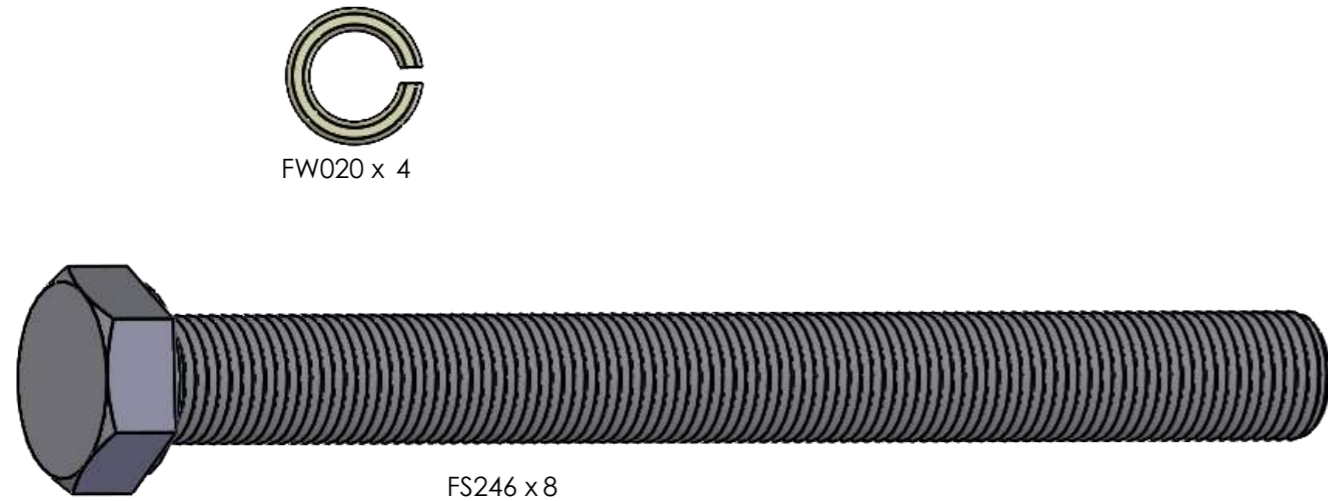


IMPACT STEP FITTING INSTRUCTIONS



IMPACT STEP FITTING INSTRUCTIONS

1.

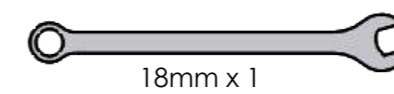
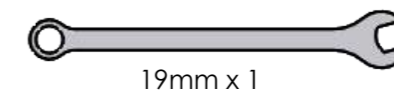
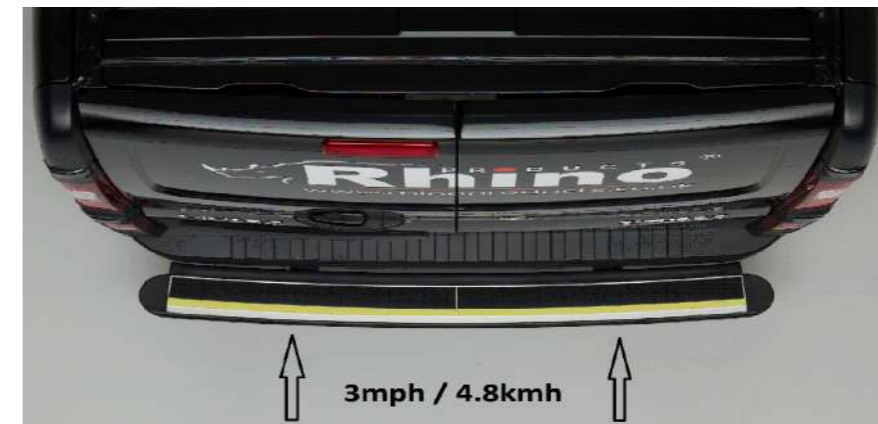
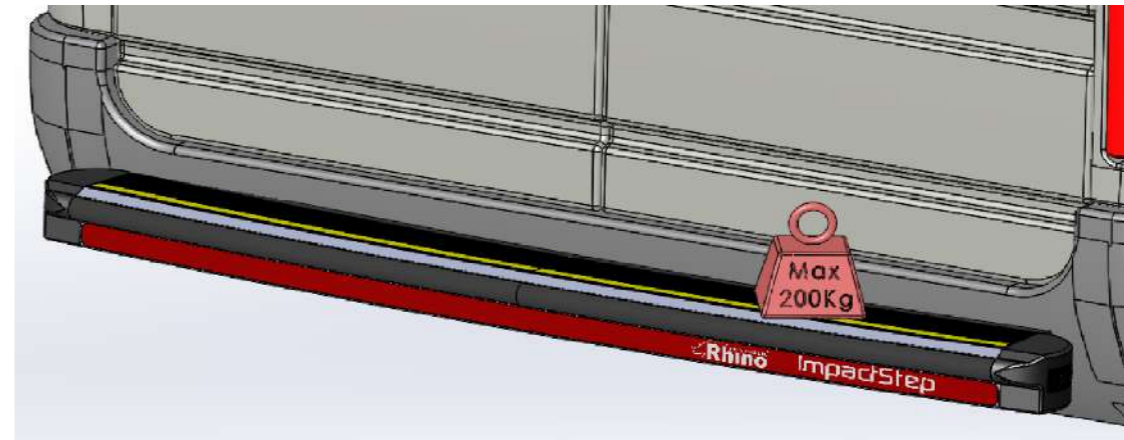


ACCESSSTEP	8
IMPACT STEP	4

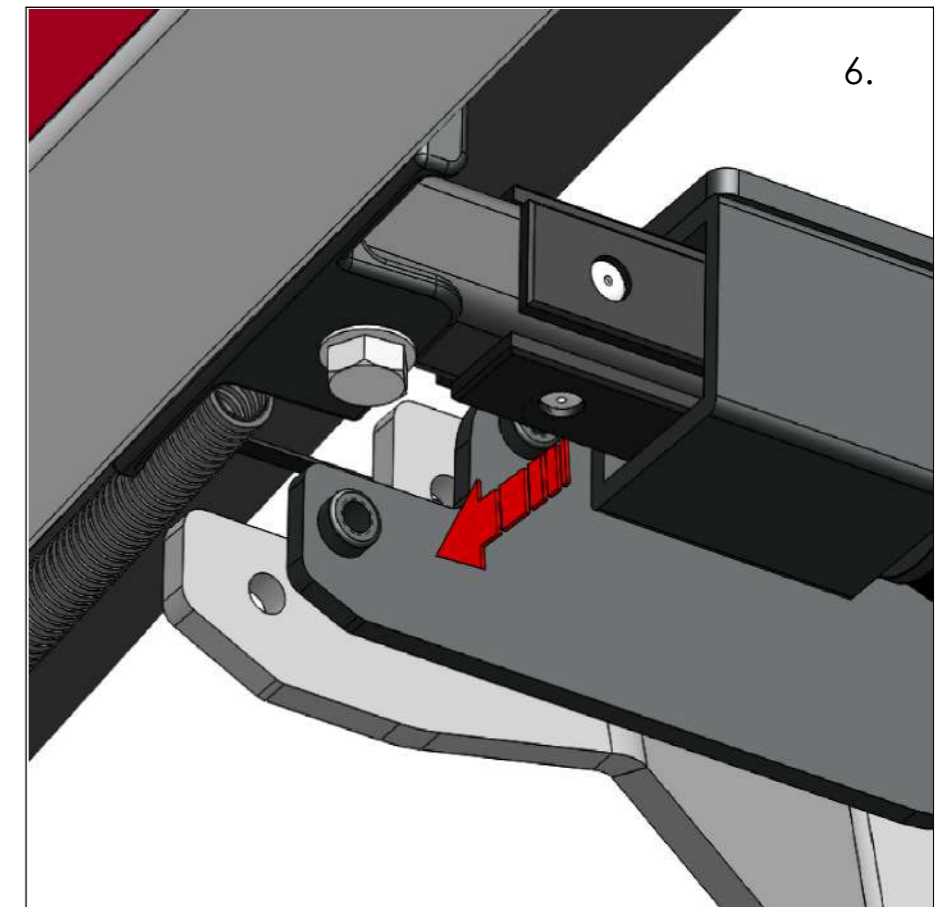
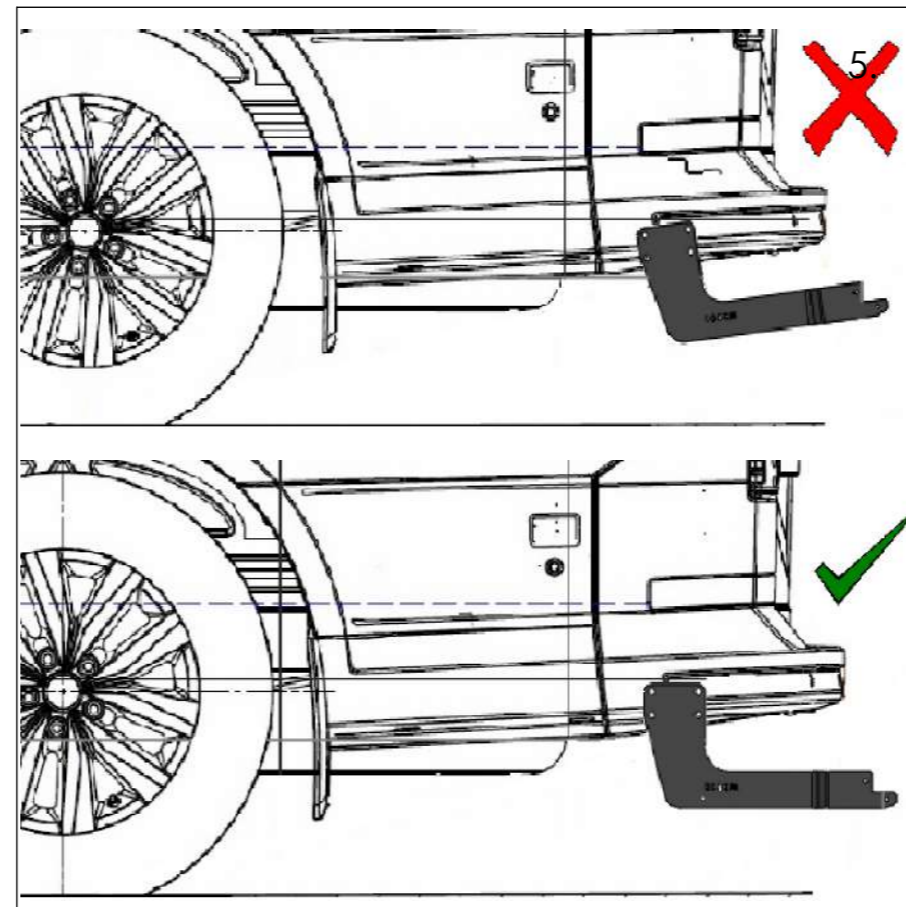
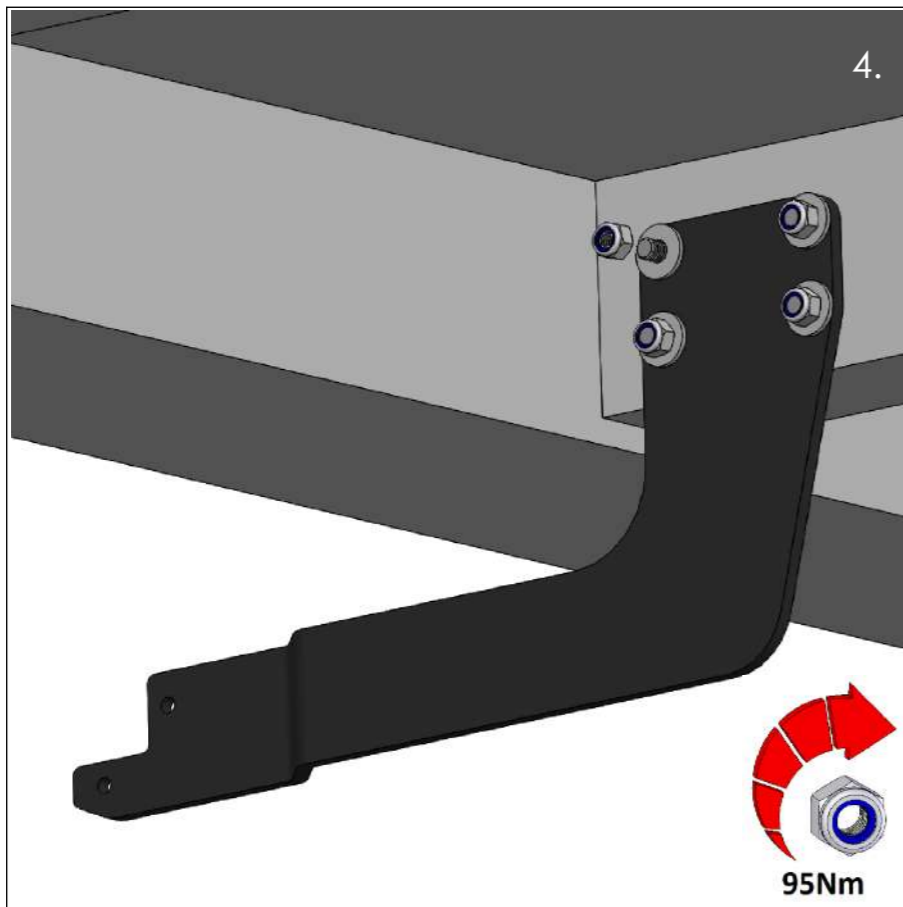
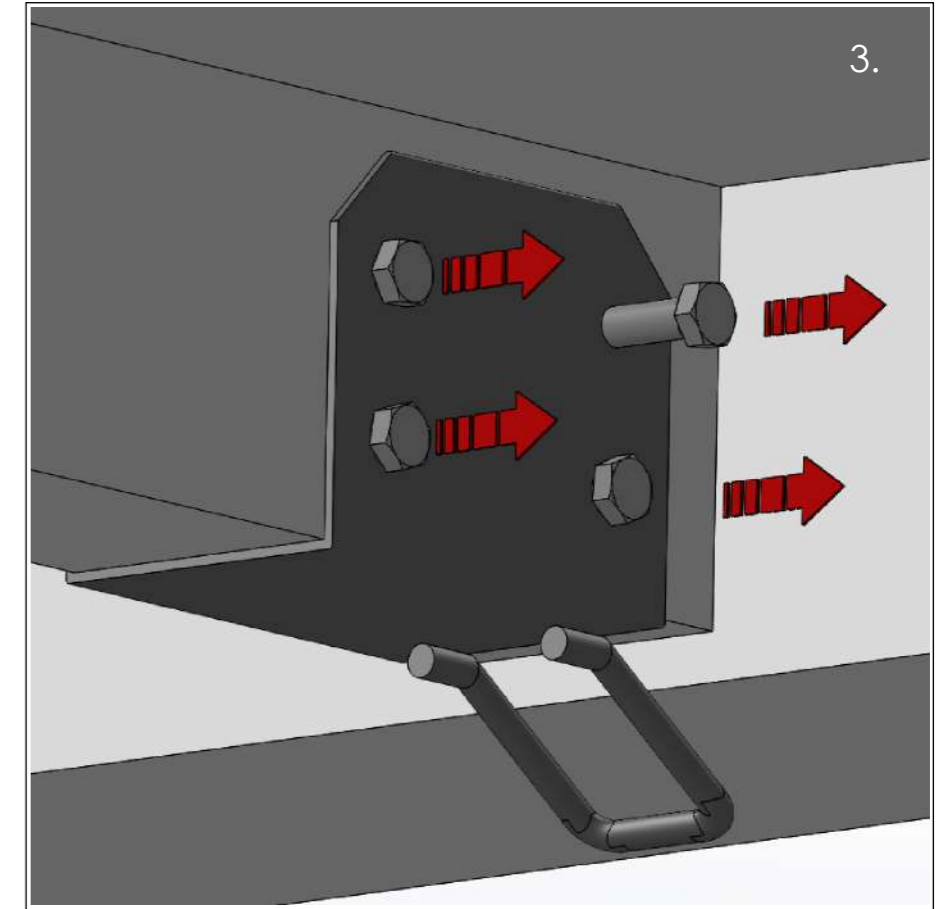
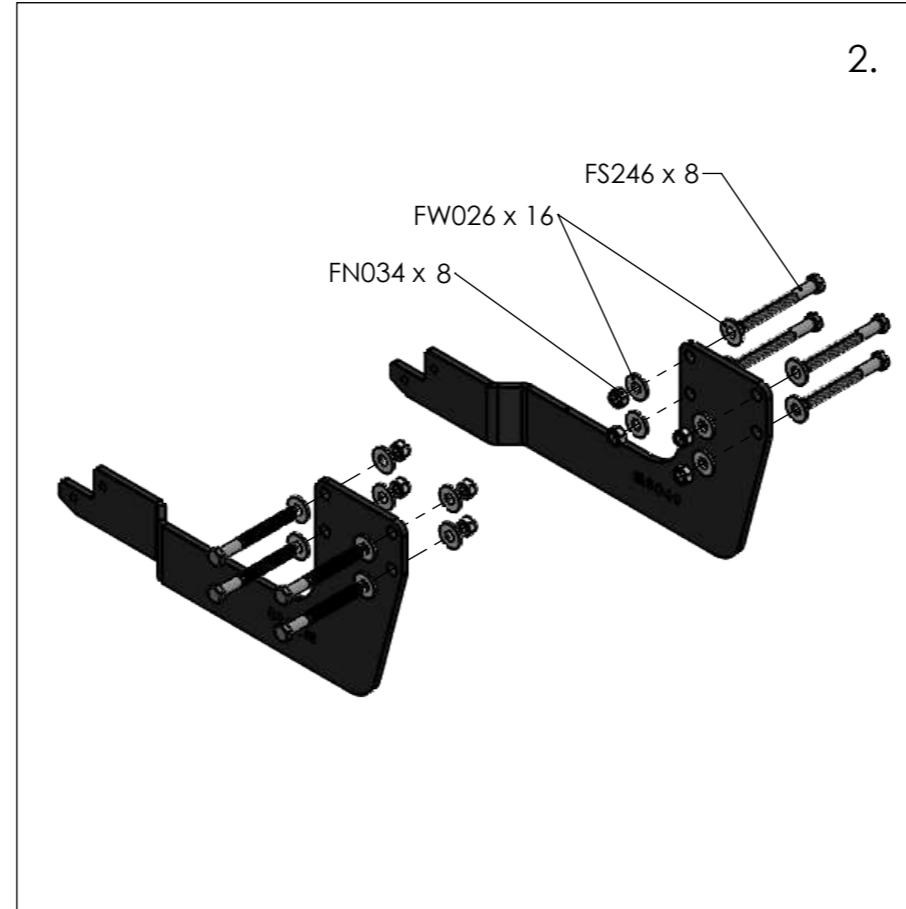
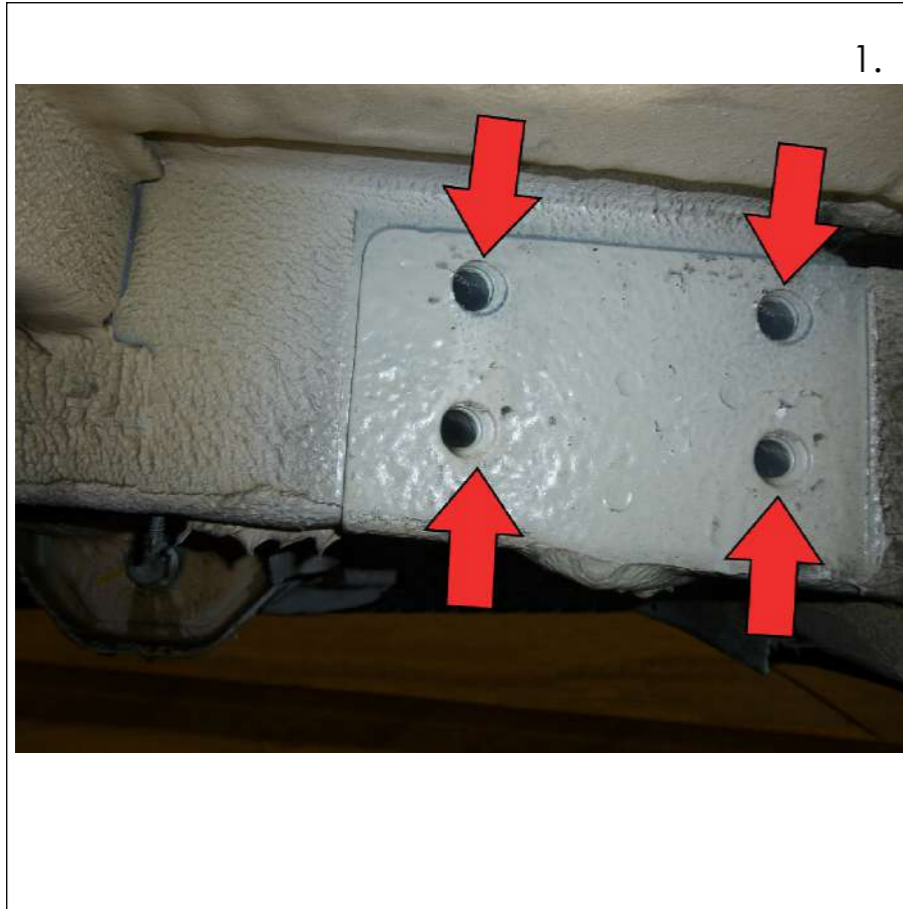
ACCESSSTEP	✓
IMPACT STEP	✗

2.

FITTING TIME: 40 Minutes



IMPACT STEP FITTING INSTRUCTIONS



IMPACT STEP FITTING INSTRUCTIONS

