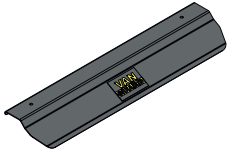


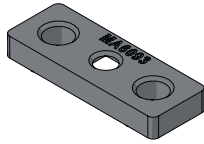
IN8194

Wind Deflector

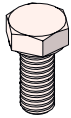
ME0355 X1



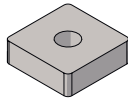
MA6093 X2



FX4061 X2
(M6X14)



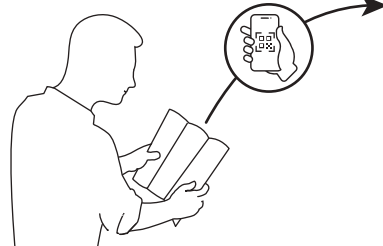
ME0316 X2



FX4017 X2
(M6)



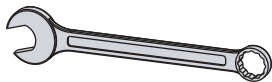
FX4010 X2
(M6)



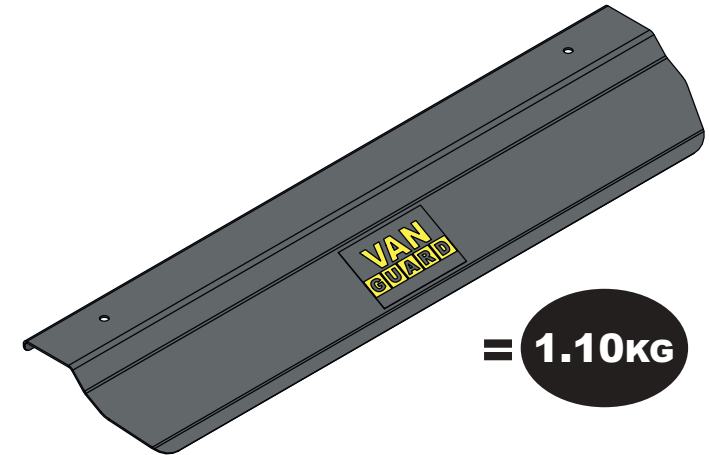
EN - SAFETY AND PRODUCT INFORMATION
DE - SICHERHEITS- UND PRODUKTINFORMATIONEN
FR - INFORMATIONS DE SÉCURITÉ ET DU PRODUIT
NL - VEILIGHEIDS- EN PRODUCTINFORMATIE
ES - INFORMACIÓN DE SEGURIDAD Y DEL PRODUCTO
IT - INFORMAZIONI SULLA SICUREZZA E SUL PRODOTTO
SV - SÄKERHETS- OCH PRODUKTINFORMATION
DA - SIKKERHEDS- OG PRODUKTINFORMATION
NO - SIKKERHETS- OG PRODUKTINFORMASJON
PL - INFORMACJE O BEZPIECZEŃSTWIE I PRODUKCIE
CS - INFORMACE O BEZPEČNOSTI A PRODUKTU

TOOLS REQUIRED

10MM X1



Customercare@van-guard.co.uk
UK +44 (0) 1392 368 351

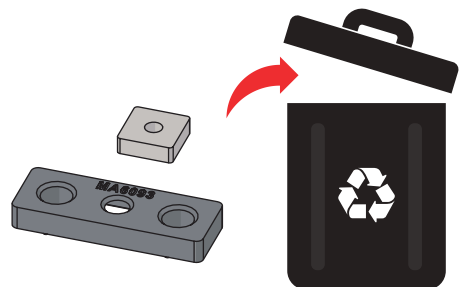
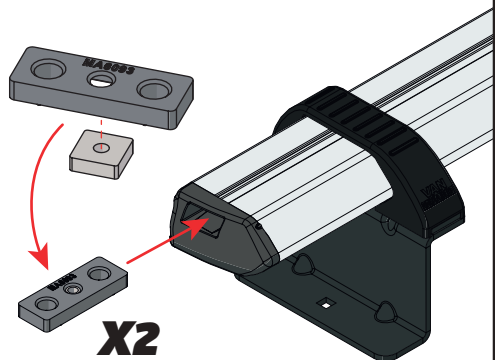
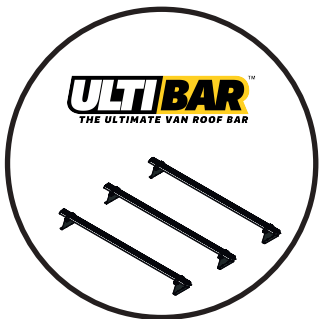


= 1.10KG

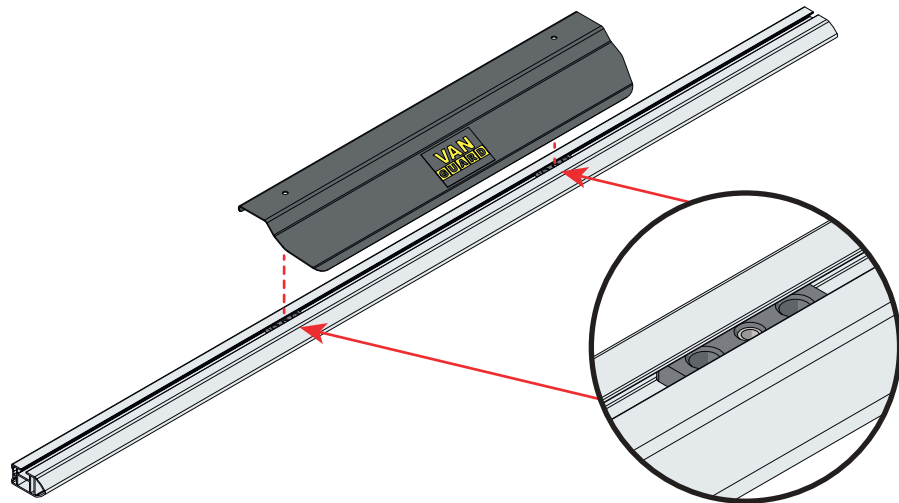
This FITTING INSTRUCTION is the property of VAN GUARD ACCESSORIES LTD. and must not be used for manufacturing purposes, copied nor communicated in any way to third parties without written permission from VAN GUARD ACCESSORIES LTD.
 IN8194_F (CN:00183)

Van Guard Accessories Ltd
 Fair Oak Close, Exeter Airport Business Park,
 Exeter, Devon, EX5 2UL
www.van-guard.co.uk

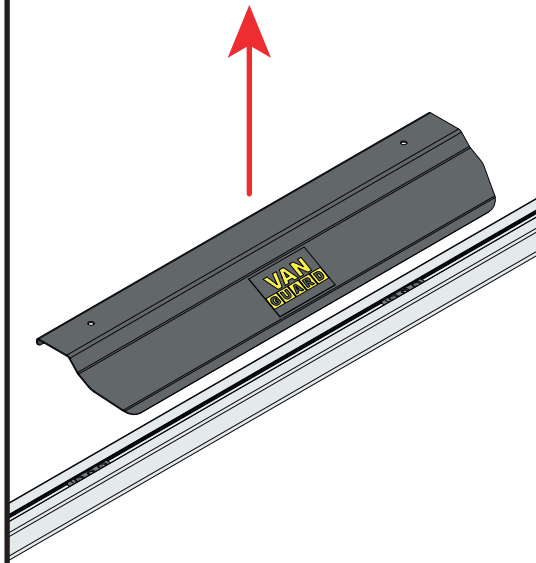
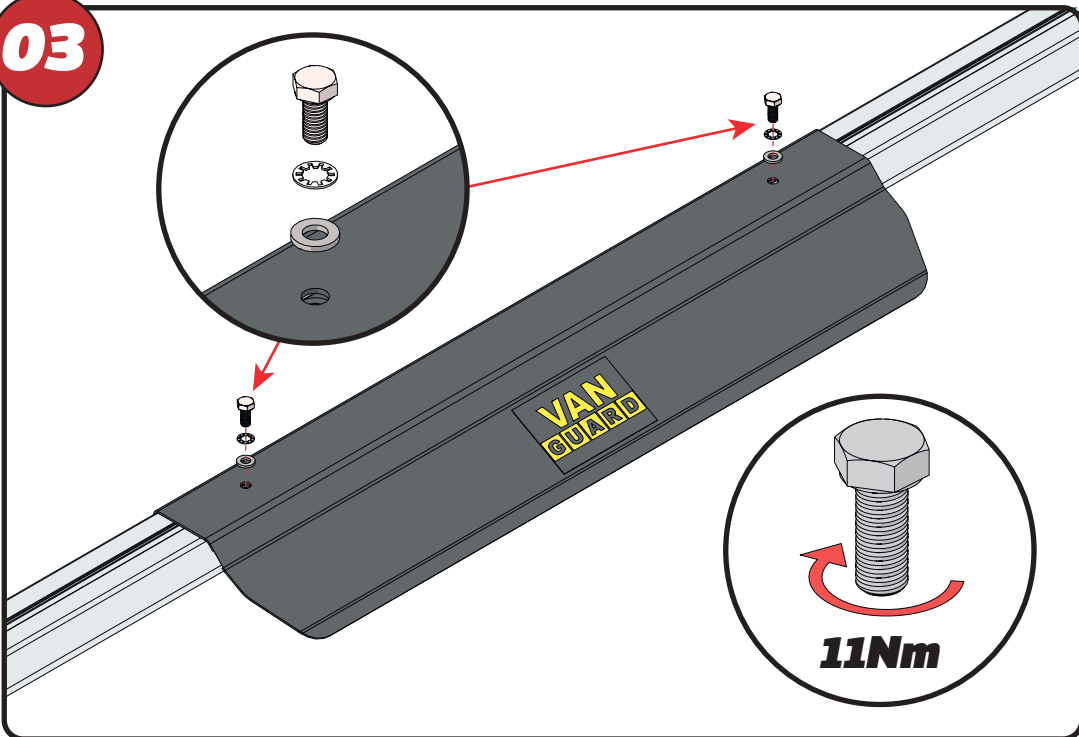
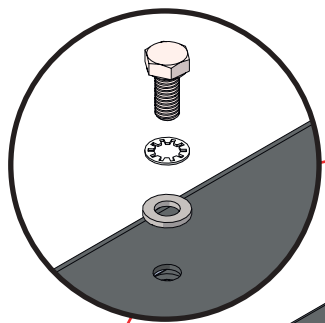
01



02



03



ULTIBAR
THE ULTIMATE VAN ROOF BAR

ULTRACKO
THE ULTIMATE VAN ROOF RACK

