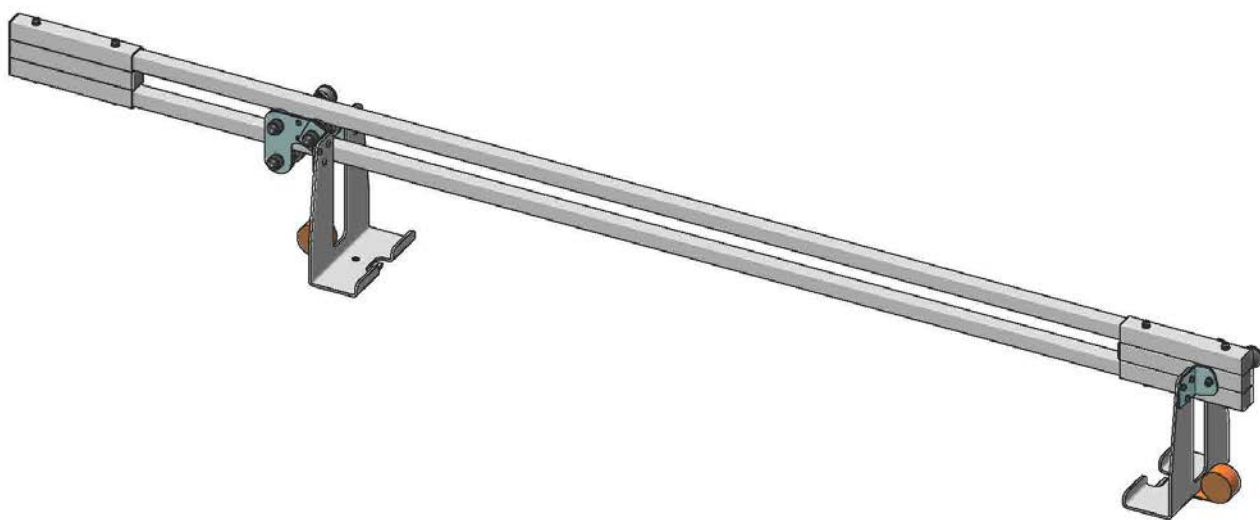


USER MANUAL



PSI - Internal Ladder holder

GUARANTEE TERMS

The manufacturer guarantees that the in-vehicle ladder carrying system PSI model, or parts thereof, is without any fault. All PSI ladder holder undergo full quality inspection before being put into the market. The manufacturer guarantees the PSI, and all its parts and components for a period of 3 years from the date of delivery. We do however advise installation partners or end users to fully check the systems upon receipt of delivery. Any claim that may rise should be forwarded in writing to the manufacturer, within 8 days from the date of delivery of the product.

Within the guarantee period, the manufacturer will replace any defective parts whose faults have been clearly regarded as manufacturing faults. The manufacturer operates a return to base policy; with parts being replaced or repaired free of charge, in our factory or at one of our authorised dealers (we do not cover under our warranty terms any associated delivery costs). The assessment of the defective parts will be carried out by the manufacturers own technicians or by an authorised engineer. Any repair carried out within the guarantee period, does not constitute any claim for an extension of the guarantee terms.

The guarantee terms do not apply:

- During the delivery of the product, when the product is in transit (transported by carrier) since the goods travel under the responsibility of the customer;
- When faults have been caused by the customer's mishandling of the product or negligence or natural events;
- When faults are communicated beyond the 8 days term stated above.
- When faulty/worn-out parts have been replaced with non original parts, unless authorised by the manufacturer;
- When the fault has been caused by the customer not following the instructions given in this manual;
- When the product has been modified without the manufacturer's authorisation.

All rights reserved. Reproduction, use or disclosure to third parties without express permission from the manufacturer is strictly forbidden. Only the manufacturer can modify the content of this instruction manual without prior notice.

CONTENTS

Guarantee terms	page	2
Introduction	"	4
Installation	"	5
1.1 Mounting	"	5
1.2 Anchorage	"	7
Operating instructions	"	8
2.1 General	"	8
2.2 Setting instructions	"	8
2.3 Loading	"	9
2.4 Securing	"	10
2.5 Unloading	"	11
Technical data	"	11

INTRODUCTION

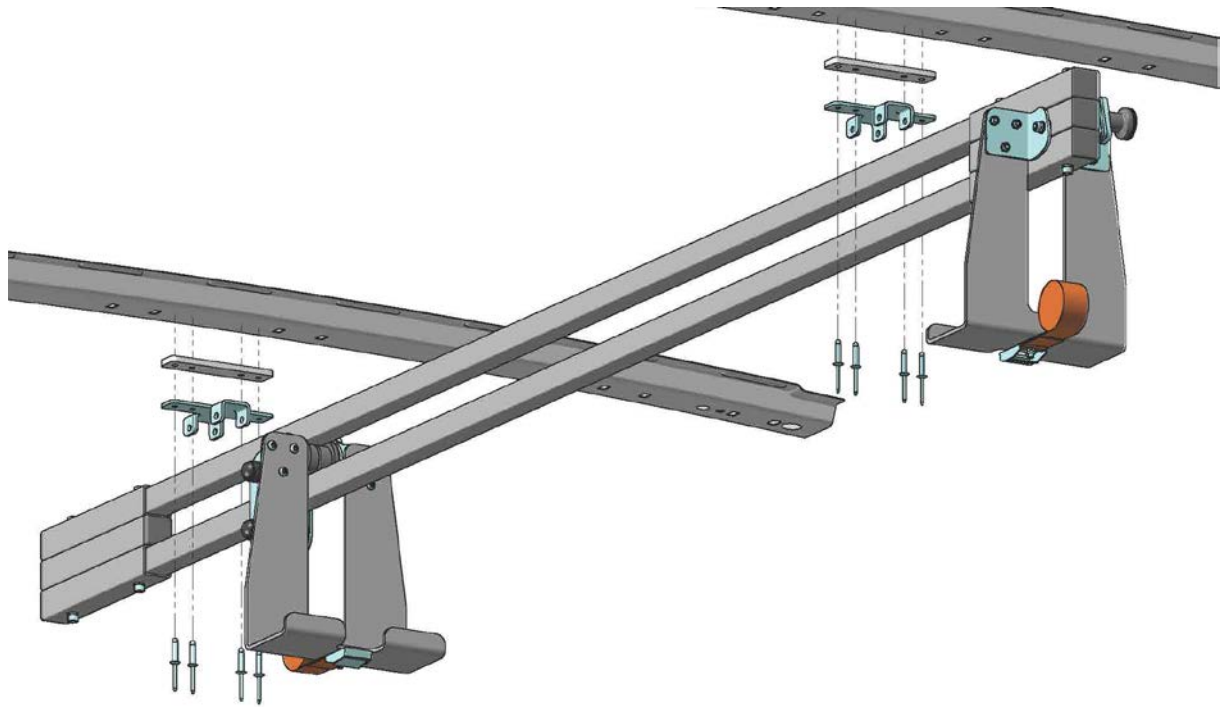
- The PSI internal ladder holder is a device designed to load/unload a small ladder/step to and from the inside of any commercial vehicle, and to safely transport a ladder/step when the vehicle is in transit.
- The PSI is renowned for being a reliable, easy to use ladder/step storage solution. The main components are made of anodized aluminium alloy and stainless steel, materials which are strong whilst lightweight. Loading and unloading of your ladder/step is carried out safely and effectively.
- Each PSI is provided with a copy of the present "User Manual". The instructions given in this manual aim to guarantee maximum safety to the operators when loading/unloading a ladder/step. We recommend that these instructions are read and understood before using the system for the first time.
- The present user manual is an integral part of the product; therefore if the product is sold to a third party or transferred onto a different vehicle, the user manual must stay with the product. This is to allow the new operator/owner to gather the necessary information to install the product and understand how to use it safely. It is therefore important to keep the user manual clean and tidy for yours and others future reference, we advise keeping it in the vehicle to which the unit is installed.
- The PSI must be used only for the purpose for which it has been designed, hence for the loading, unloading and transportation of **small** ladders/steps. Different uses are considered inappropriate, hence they are forbidden. Furthermore, the manufacturer can accept no liability for any damage caused as a result of incorrect installation of the ladder carrying system or for not following the instructions given in this manual.

INSTALLATION

1.1 Mounting

Mount the system to the internal ribs in the vehicle roof using the 2 brackets supplied and the \varnothing 5mm x 20mm rivets (see pictures 1,2 and 3).

WARNING: make sure the vehicle roof has at least two suitable ribs, appropriately spaced, otherwise you will not be able to install the system.

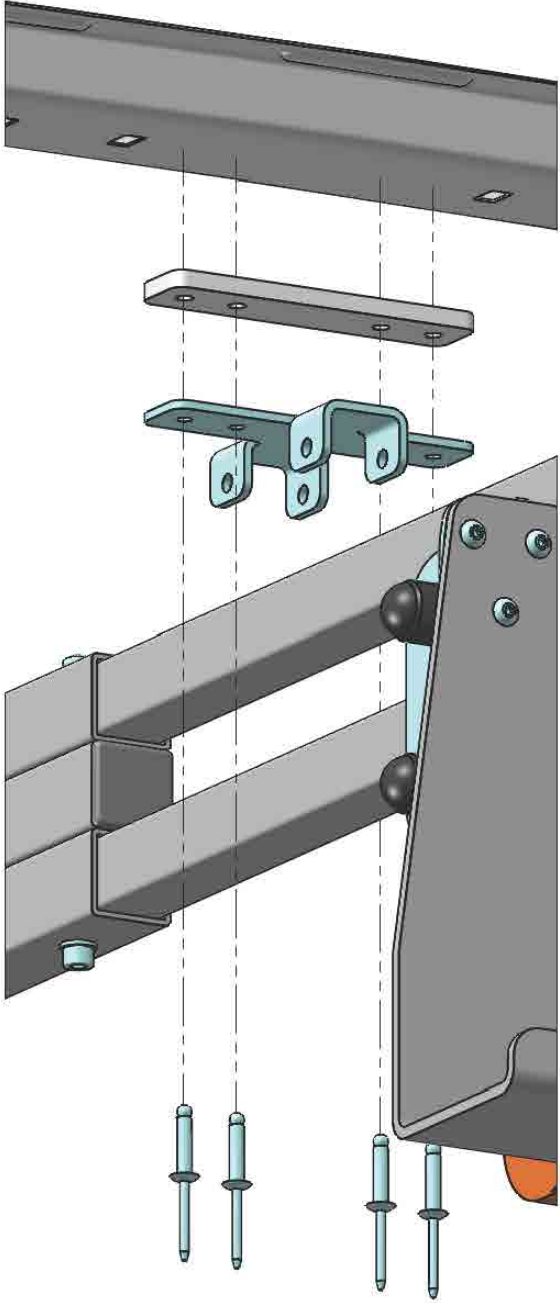


Picture 1



Picture 2

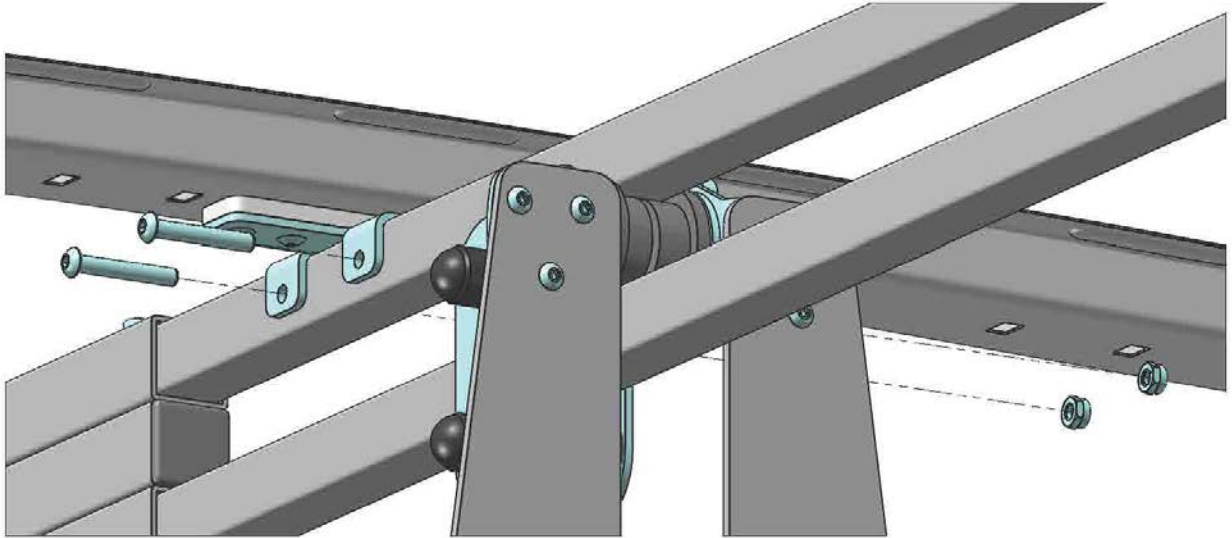
If necessary, for straight and level mounting, use spacers with the brackets to ensure smooth operation.



Picture 3

1.2 Securing the system

Position the system by sliding it forward and backward inside the brackets, to the desired location. Once in place, secure the system to the brackets with M6x40mm screws (see pictures 4, and 5).



Picture 4



Picture 5

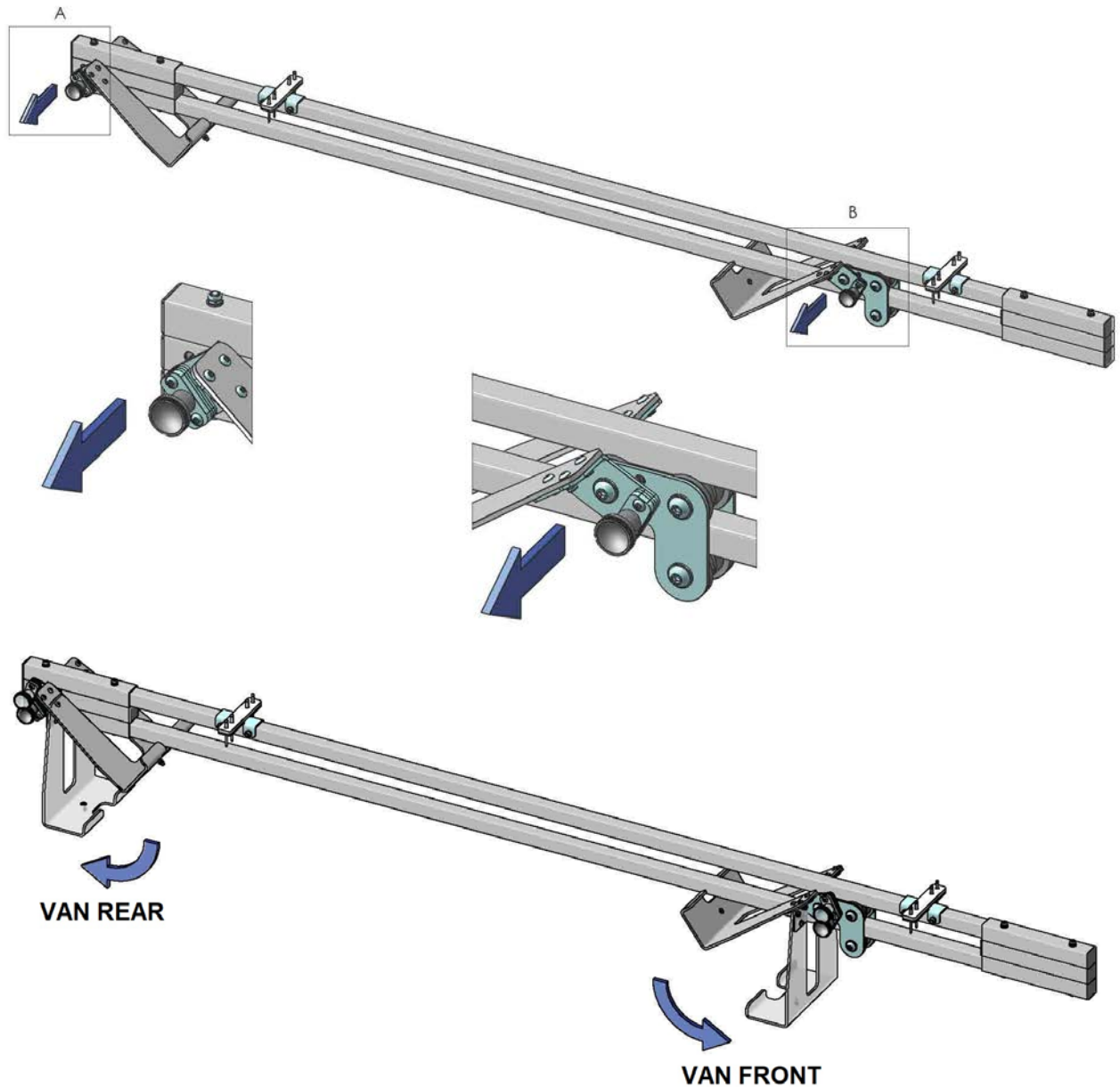
OPERATING INSTRUCTIONS

2.1 General Information

The PSI will allow you to securely carry any small ladder/step up to 15 Kg in weight.

2.2 Setting instructions

Set the retaining plates in a vertical position by using the unlocking catch (see picture 6).

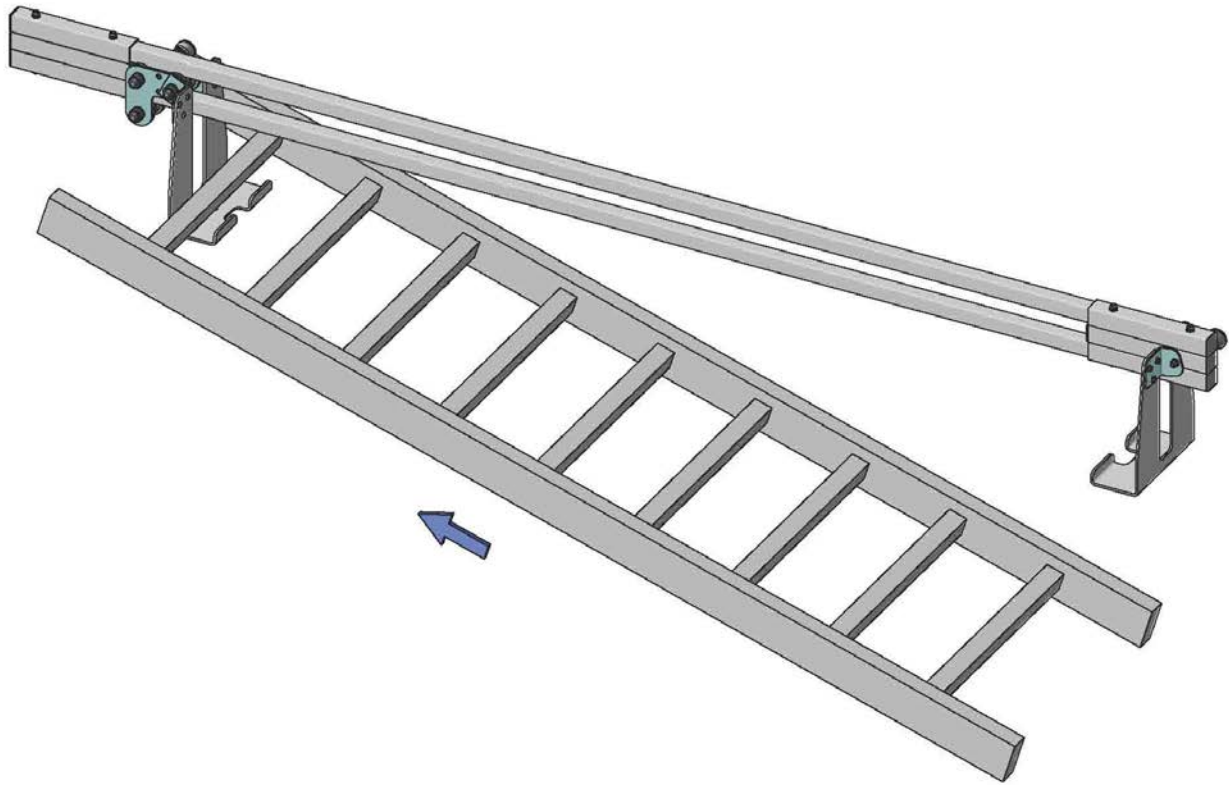


Picture 6

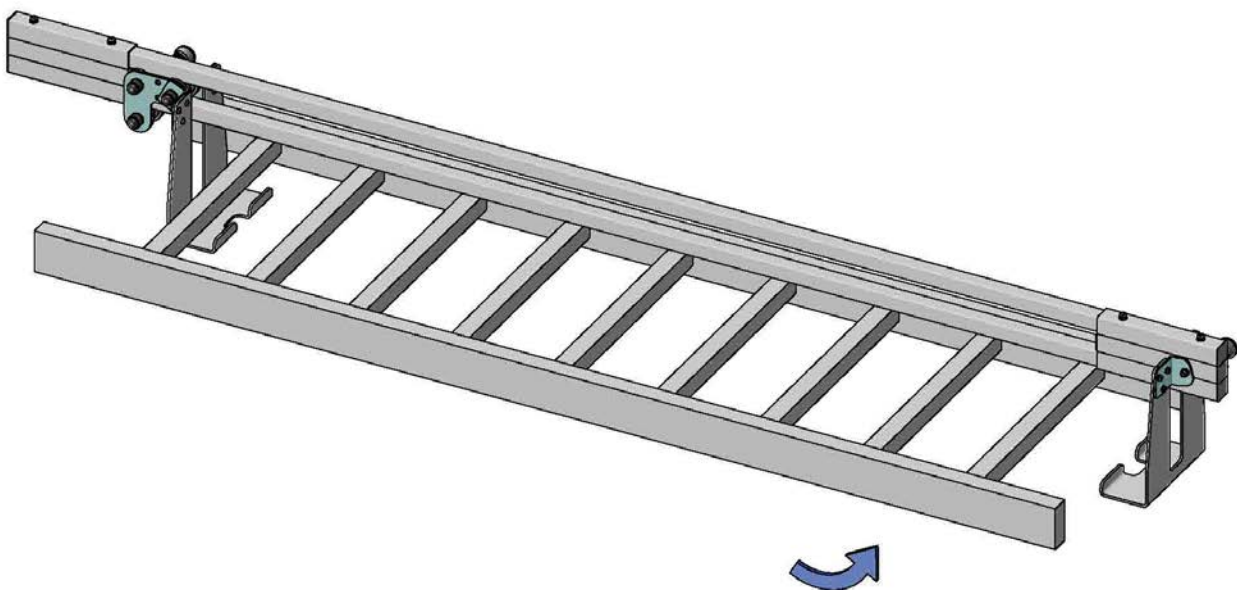
2.3 Loading the ladder/step

Hook the ladder/step onto the front retaining plate (the one closest to the vehicle bulkhead).

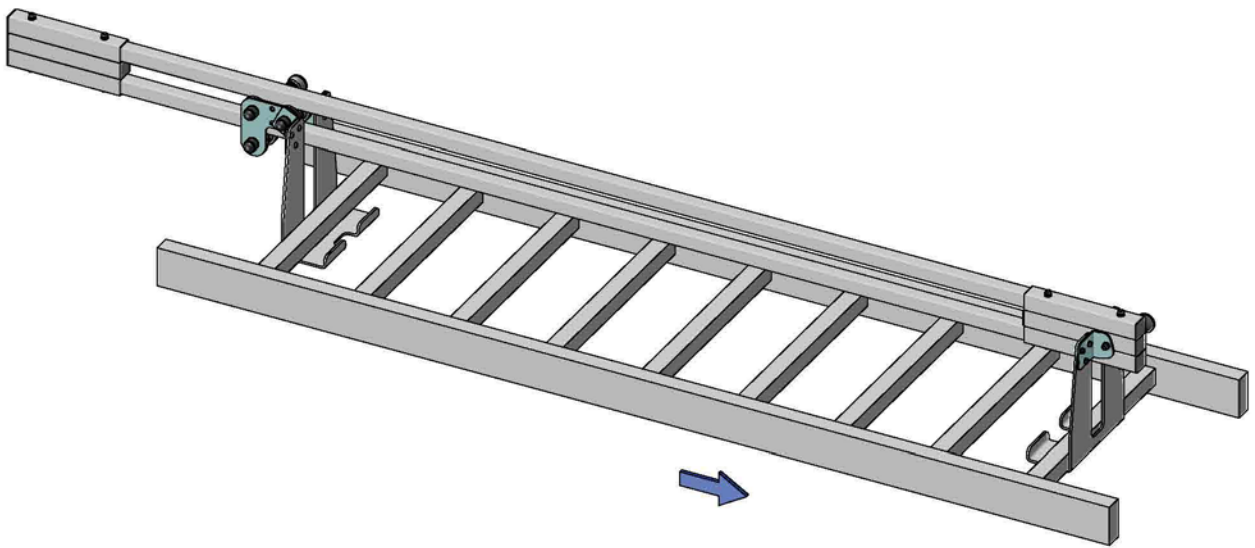
Push the ladder/step forward until the last rung of your ladder/step can be hooked onto the back retaining plate (see picture 7-8 and 9)



Picture 7



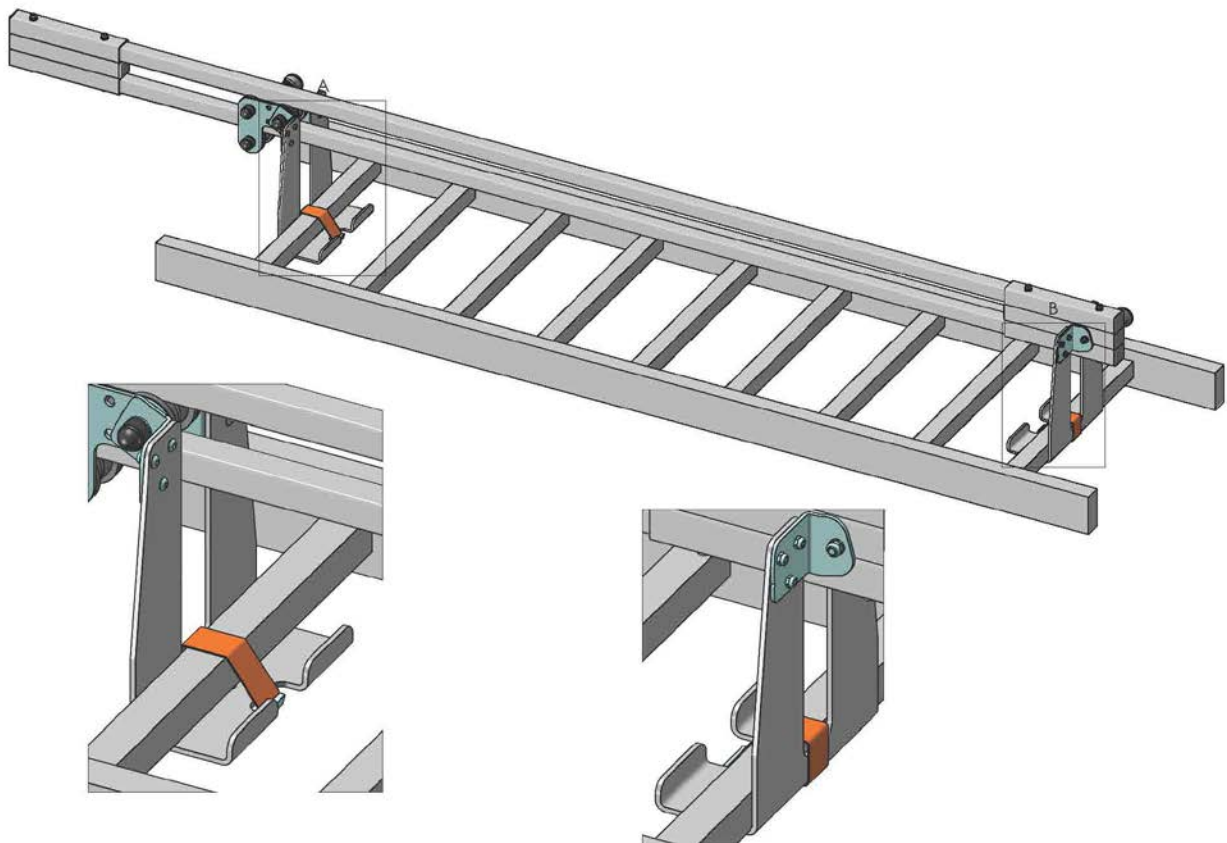
Picture 8



Picture 9

2.4 Securing the ladder/step

Secure ladder/step to the retaining plates by using the straps provided (see pictures 10 and 11).



Picture 10



Picture 11

2.5 Unloading the ladder/step

To unload, reverse loading instructions.

TECHNICAL DATA

System weight	Kg 7,00
Max. carrying load	Kg 15,00



Gentili Technology Equipment

Via Balitrona, 12
47042 Cesenatico (FC) ITALY
T. +39 0547 311206 F. +39 0547 311636
gentili@flligentili.com

www.flligentili.com