

FITTING INSTRUCTIONS



FITTING INSTRUCTIONS

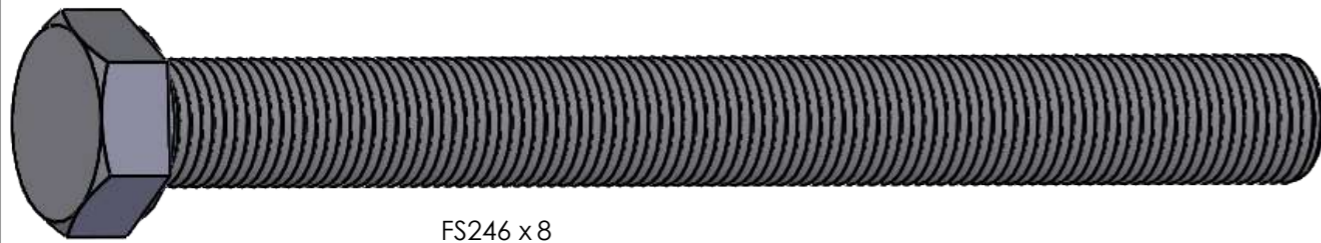
FITTING KIT CONTENTS FK885 (1:1)

1.

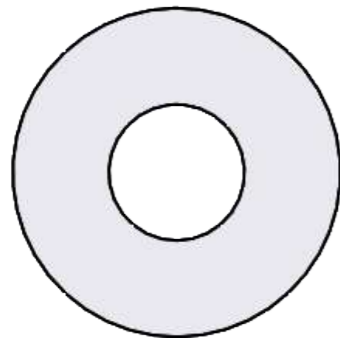


FW020 x 4

ACCESSSTEP	✗
IMPACT STEP	✓



FS246 x 8



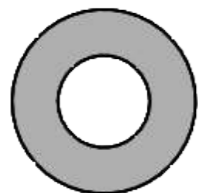
FW026 x 16



FN034 x 8



FB006 x 4



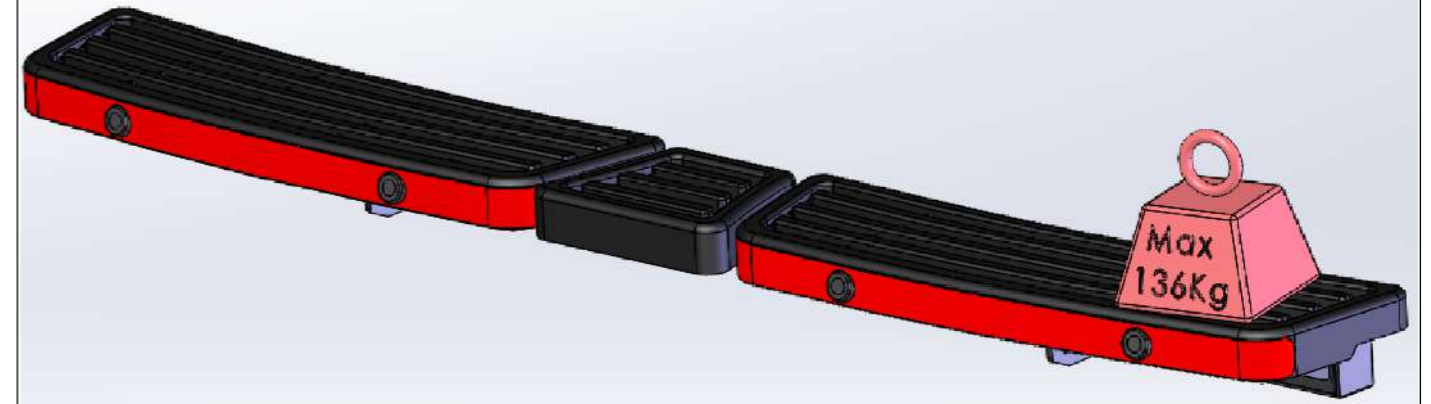
FW021 x 8



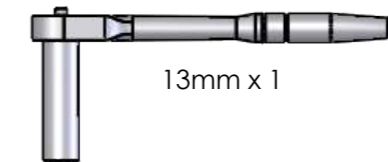
FN006 x 4

FITTING TIME: 20 Minutes

2.



x 1



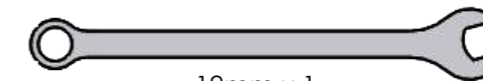
13mm x 1



19mm x 1



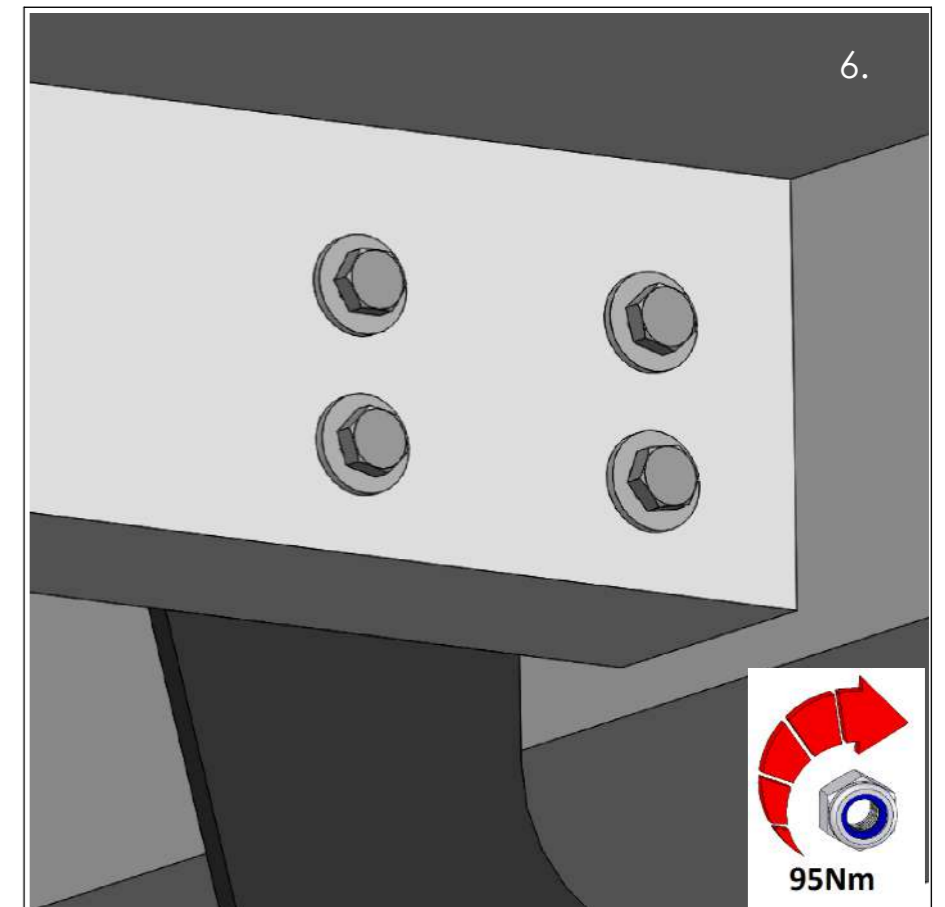
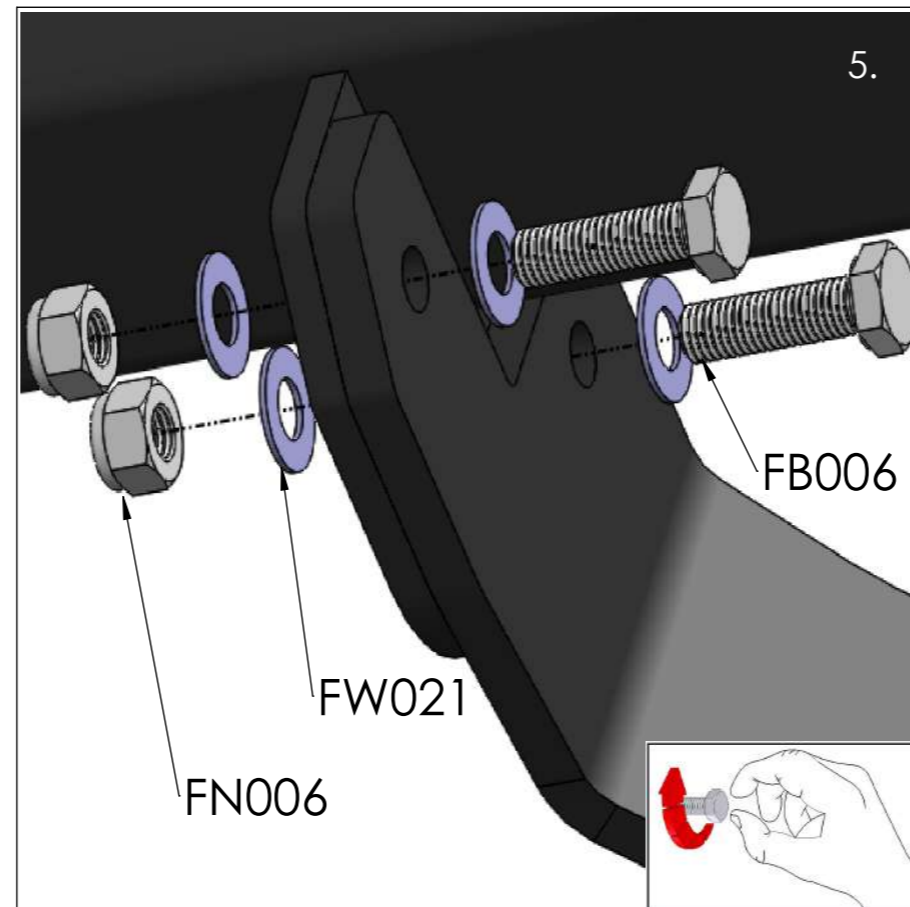
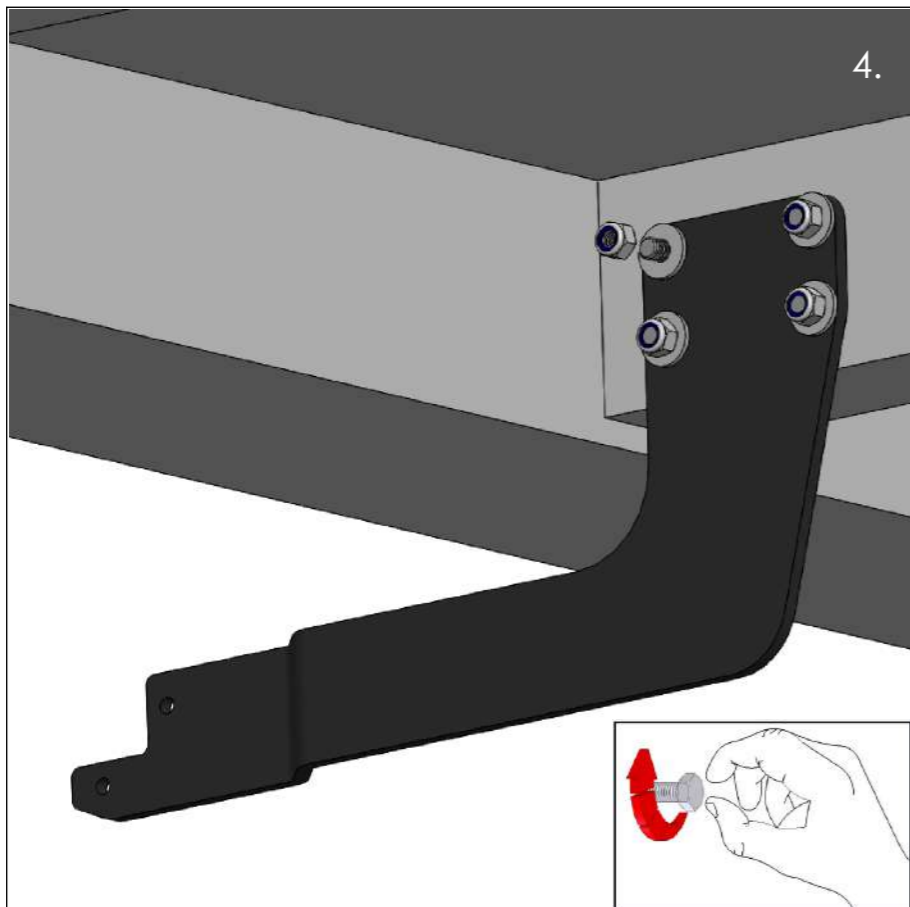
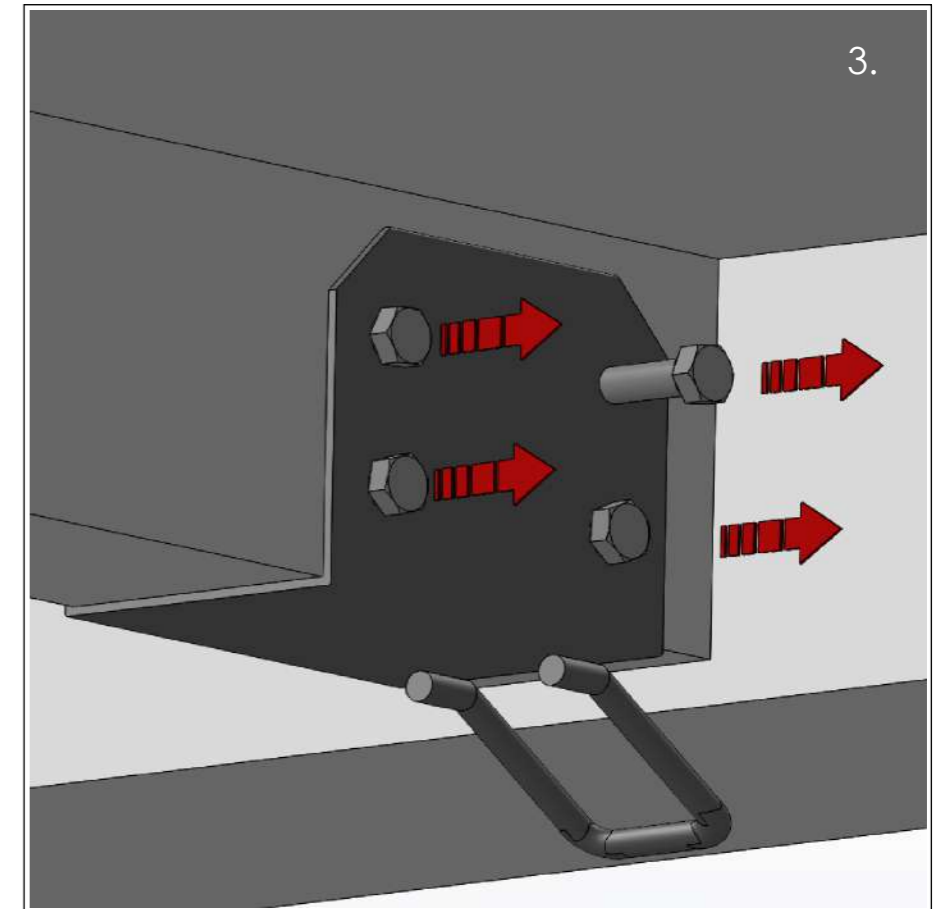
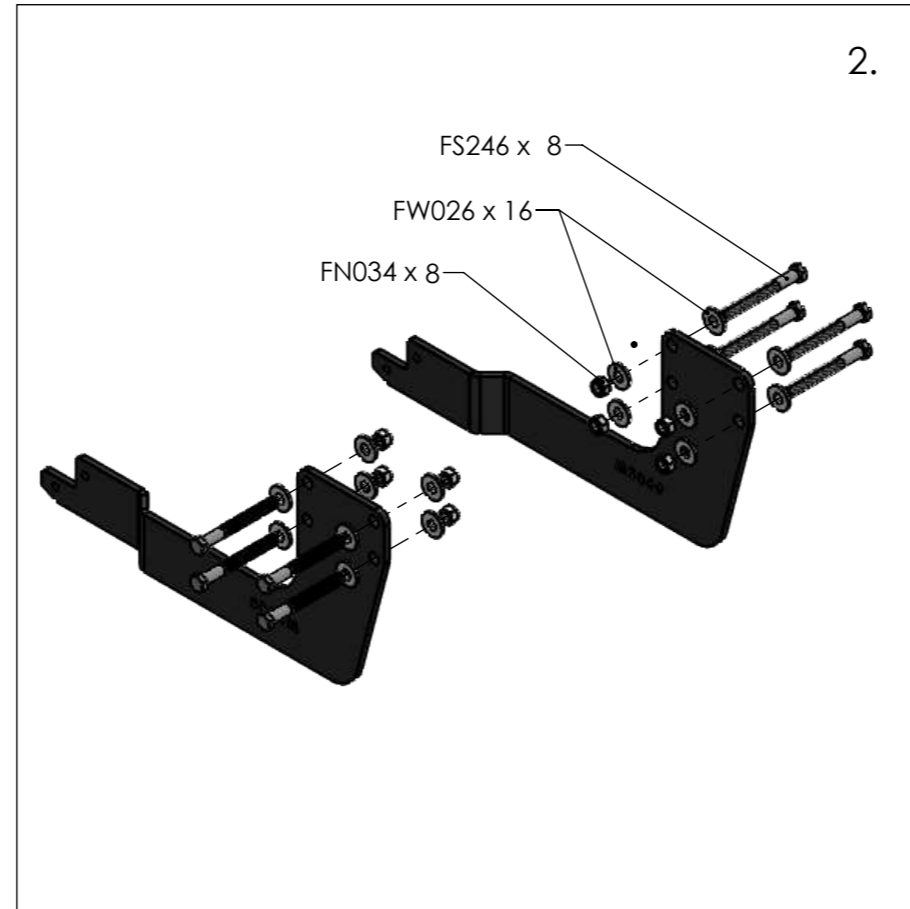
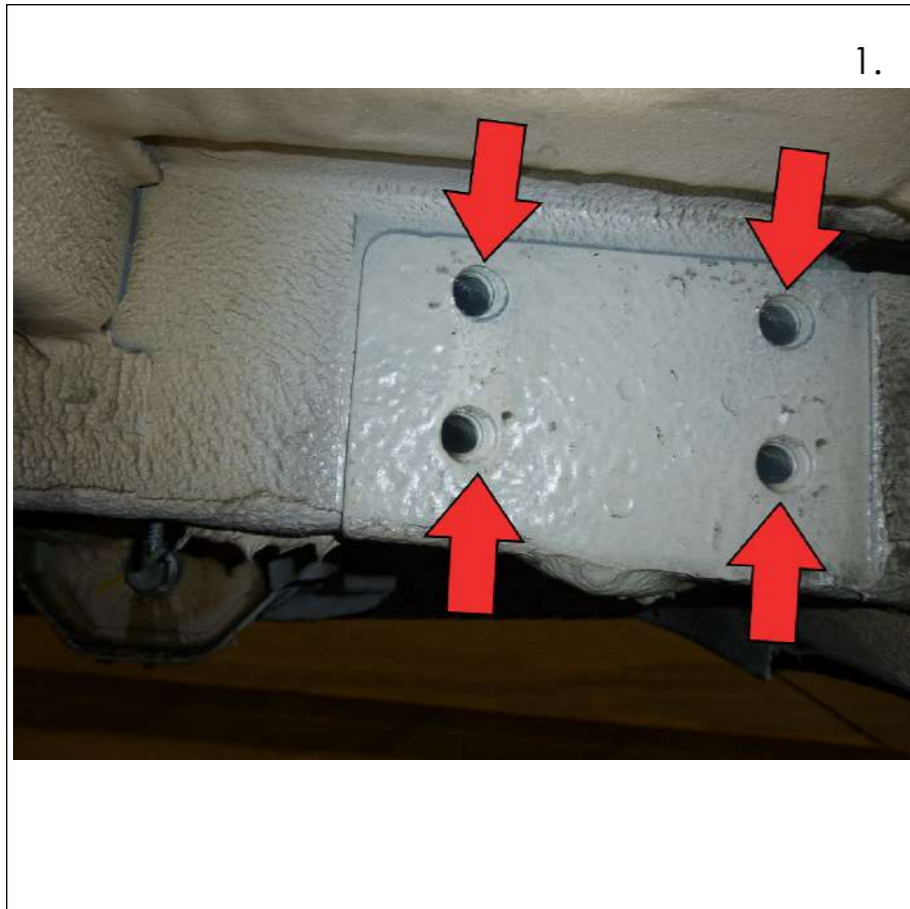
13mm x 1



19mm x 1



FITTING INSTRUCTIONS



FITTING INSTRUCTIONS

