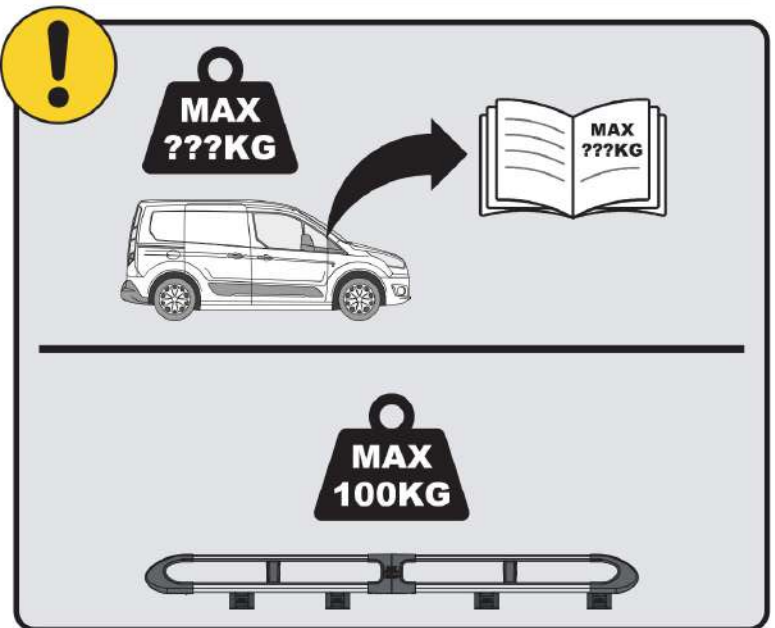
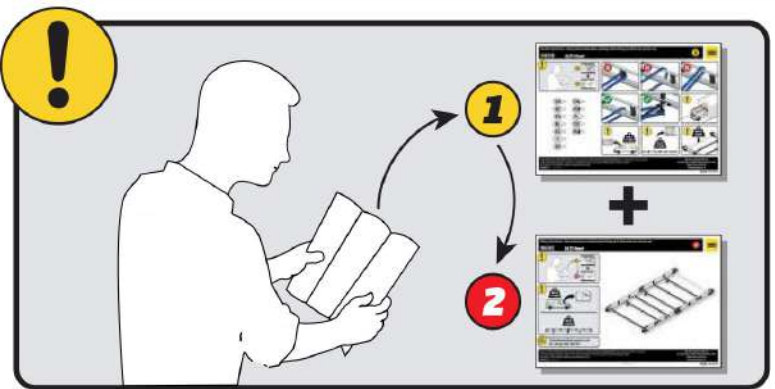


IN8325 **ULTI Rack+**



 **Customercare@van-guard.co.uk**
UK +44 (0) 1392 368 351

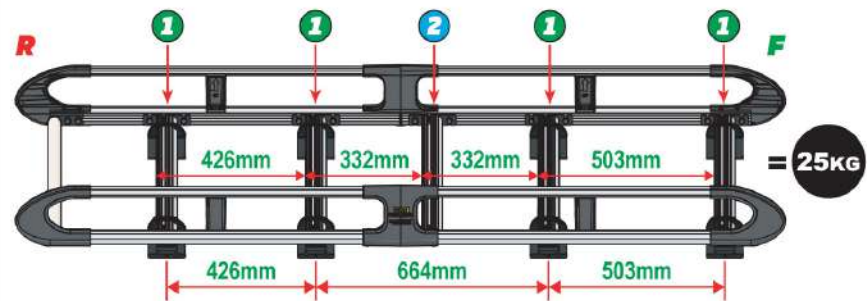
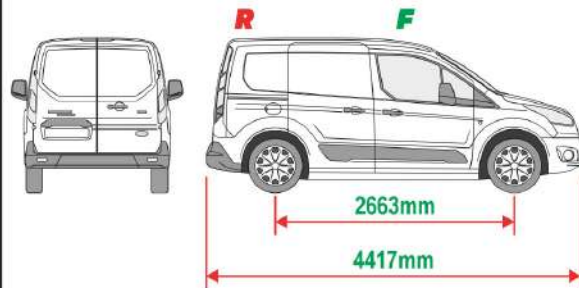


This FITTING INSTRUCTION is the property of VAN GUARD ACCESSORIES LTD. and must not be used for manufacturing purposes, copied nor communicated in any way to third parties without written permission from VAN GUARD ACCESSORIES LTD.
IN8325_A (CN:NR)

Van Guard Accessories Ltd
Fair Oak Close, Exeter Airport Business Park,
Exeter, Devon, EX5 2UL
www.van-guard.co.uk

VGUR-254

Ford Transit Connect: 2014 on
L1H1 (SWB)
Twin Rear Doors



TOOLS REQUIRED

10MM X2



13MM X1



AS3531 X2
(2000 / A)



MA6118 X10



FX4241 X24



ME1622 X1



AS3530 X2
(2000 / B)



FX4008 X1



MA6145 X1



ME1623 X1



ME1626 X5
(1264mm)



FX4001 X2
(M8X40)



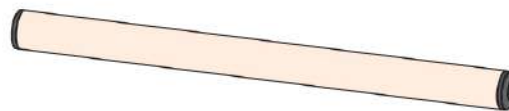
FX4235 X20
(M5X25)



ME0203 X8



AS3158 X1
(1250mm)



MA6007 X4



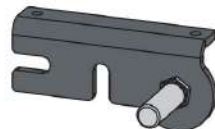
FX4248 X1
(T25)



MA6065 X8



AS3590 X1



MA6093 X10



FX4239 X24
(M8X20)



ME1620 X4



FX4016 X22
(M6)



AS3591 X1



ME0316 X10



FX4240 X24
(M8)



ME1621 X4



FX4042 X16
(M6X16)



ME0779 X1



ME1083 X1



FX4014 X8



ME0780 X1



ME1084 X1



FX4015 X8
(M6X30)



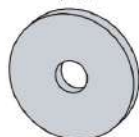
ME0781 X1



AS3149 X1



FX4037 X6
(M6)



ME0782 X1



AS3150 X1



MA6018 X8



ME0784 X1



FX4010 X2
(M6)

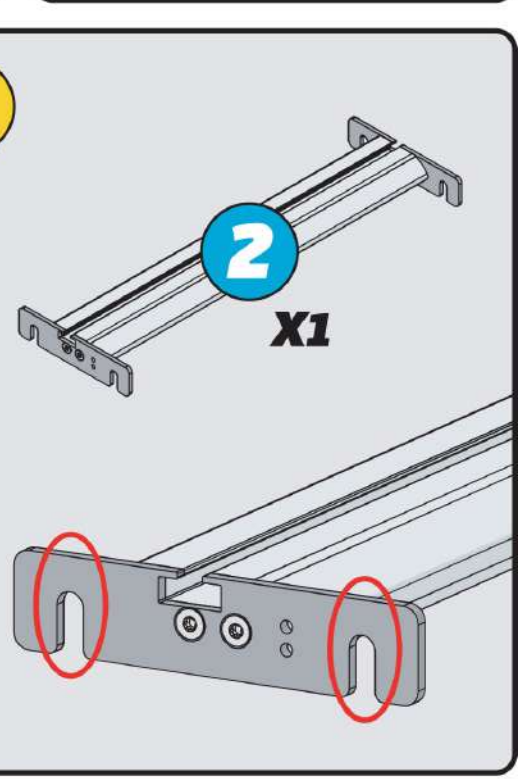
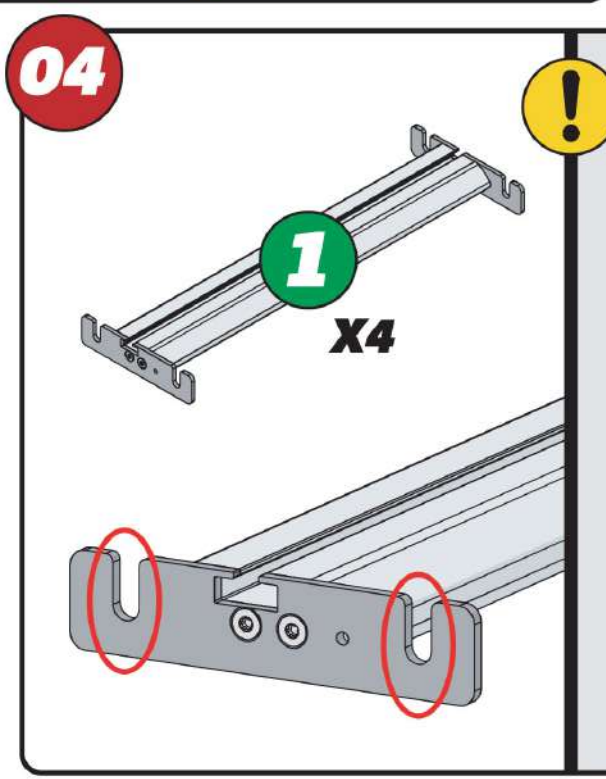
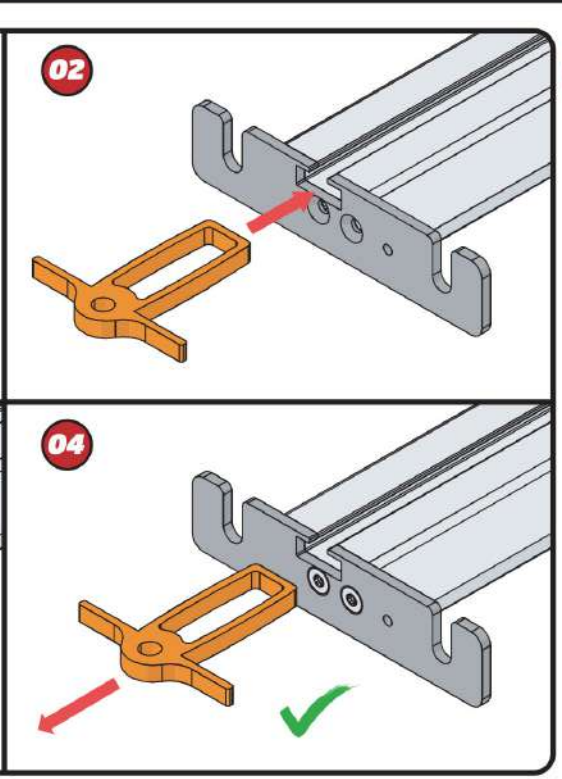
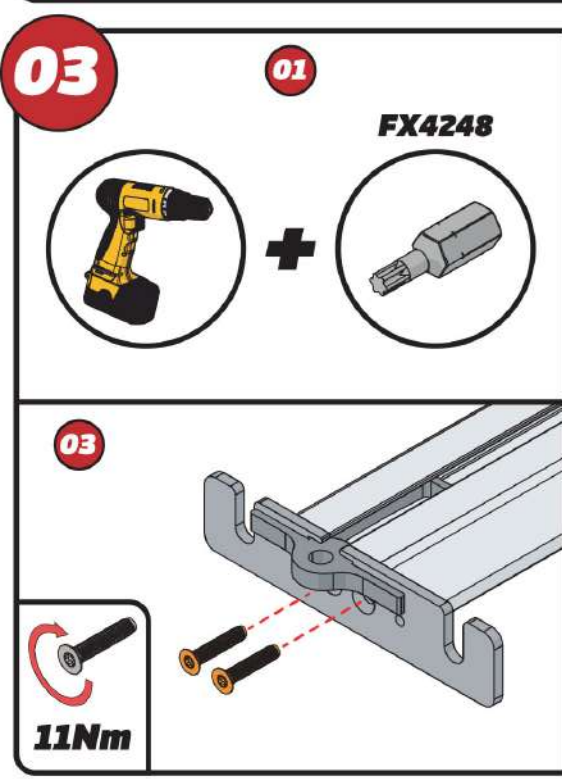
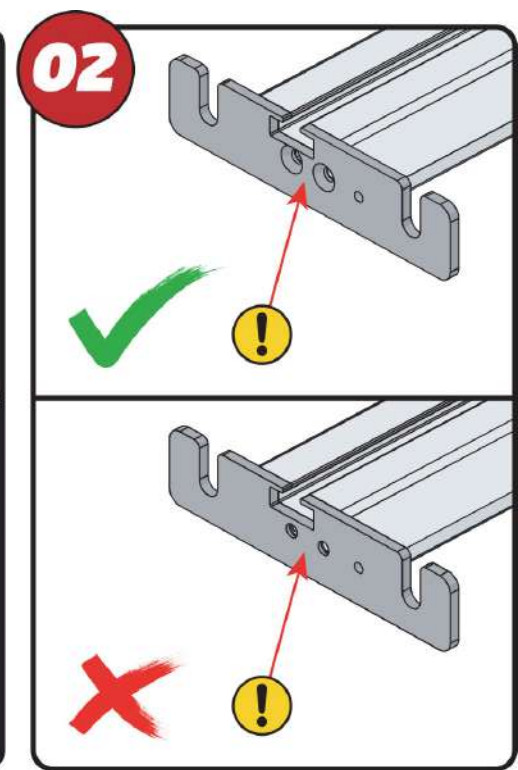
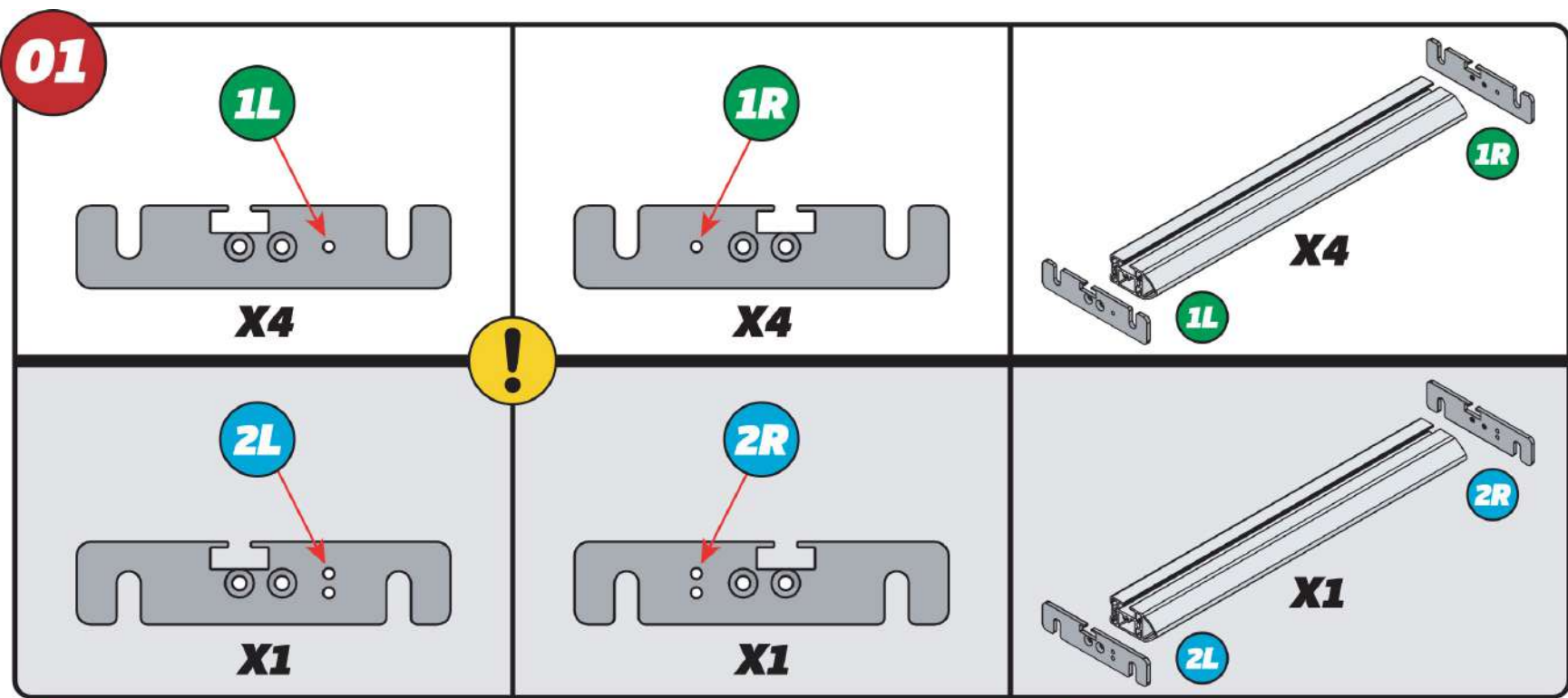


ME0785 X1

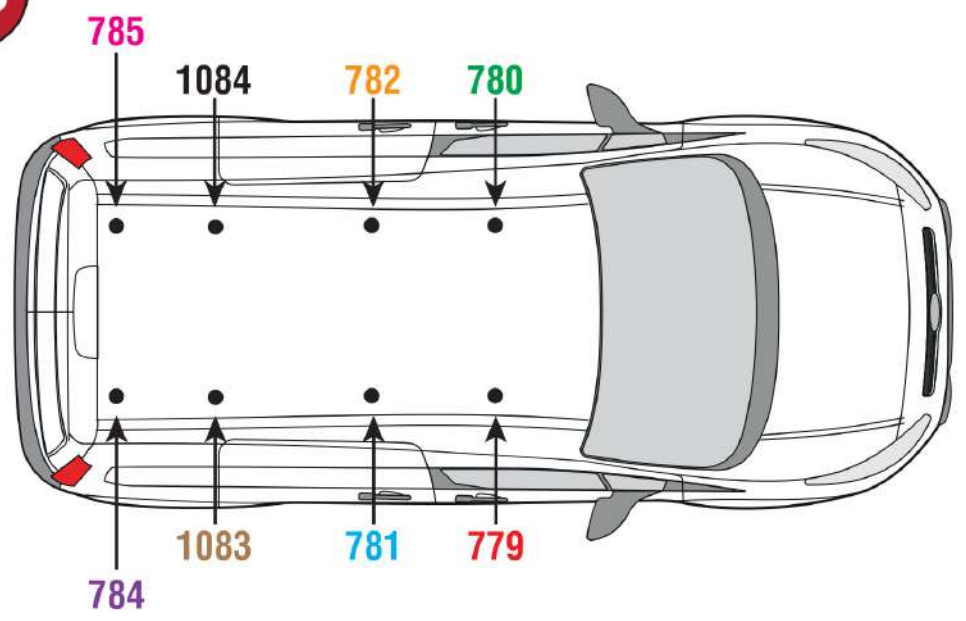


FX4013 X8
(M6)



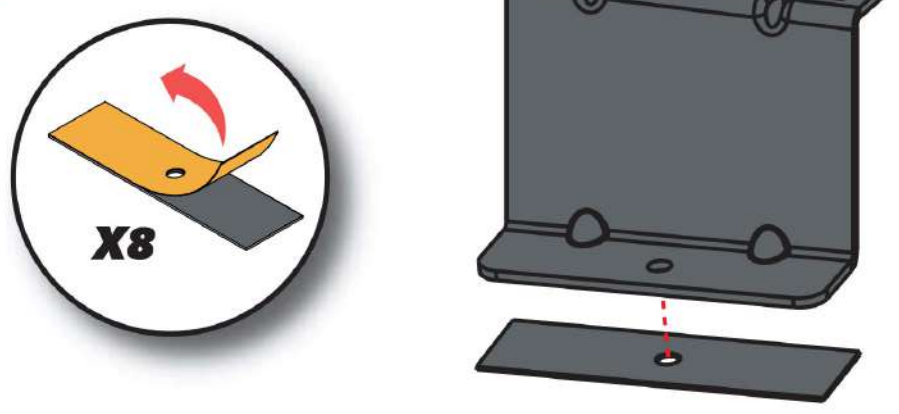


05



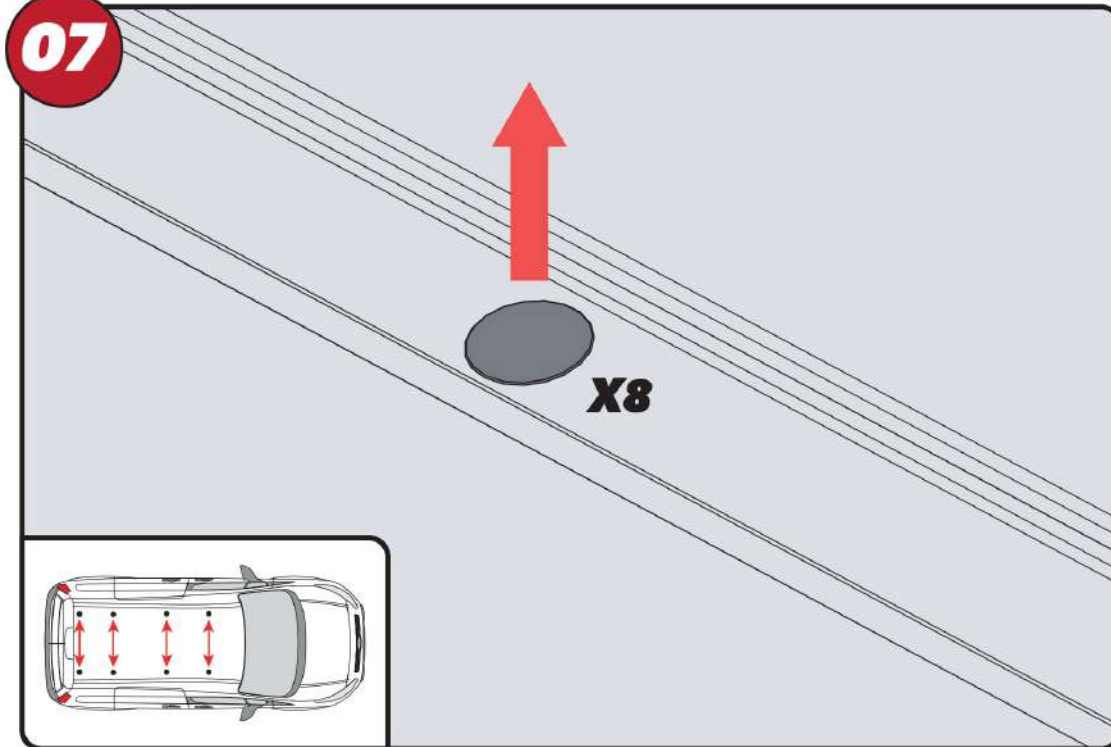
<p>779</p>	<p>780</p>	<p>781</p>	<p>782</p>
<p>784</p>	<p>785</p>	<p>1083</p>	<p>1084</p>

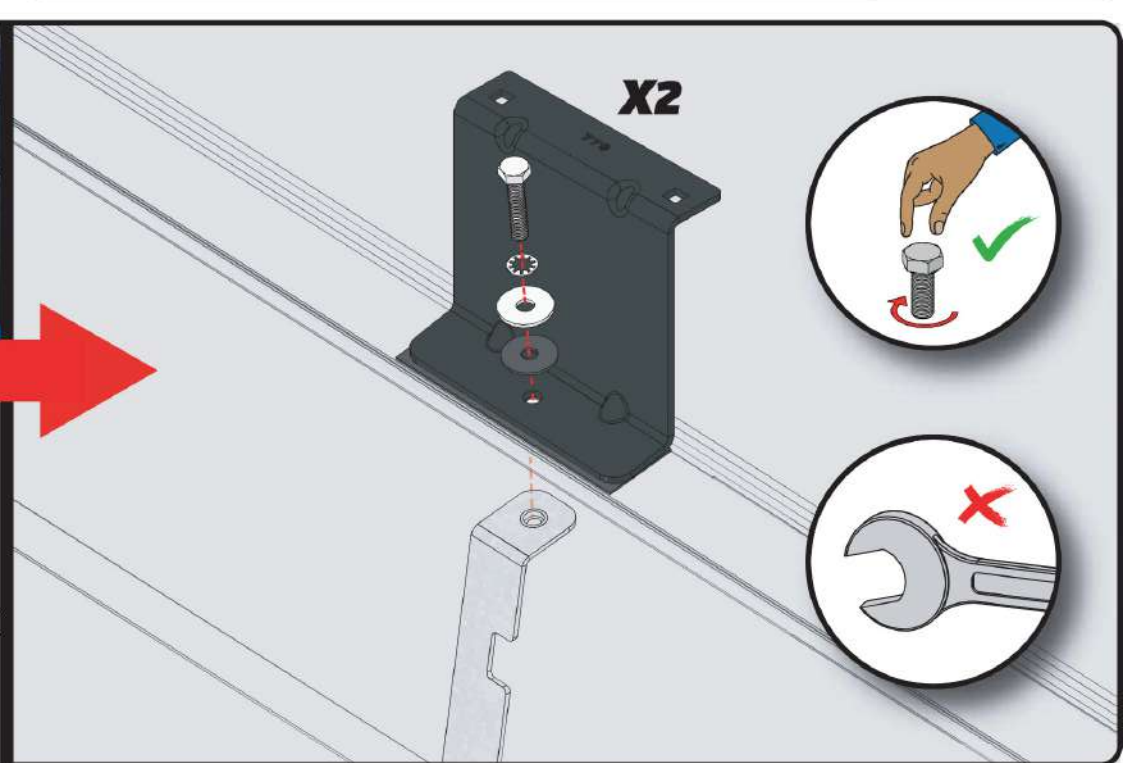
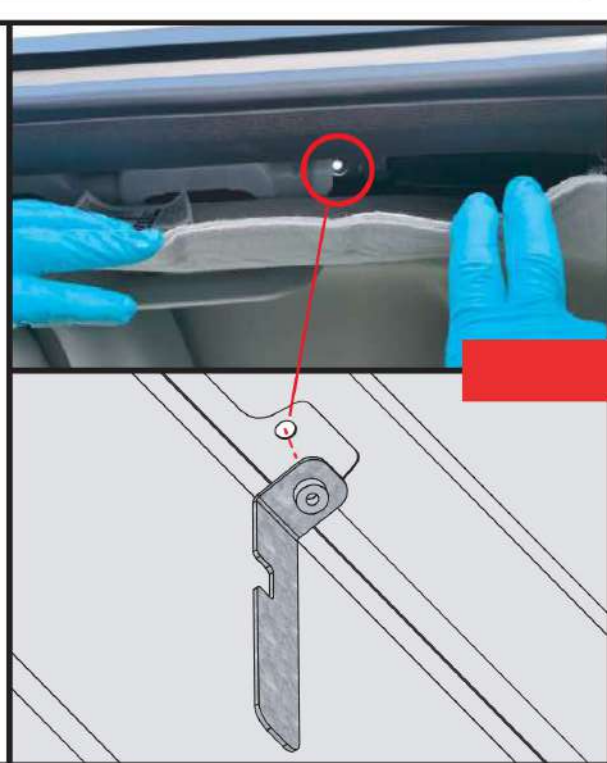
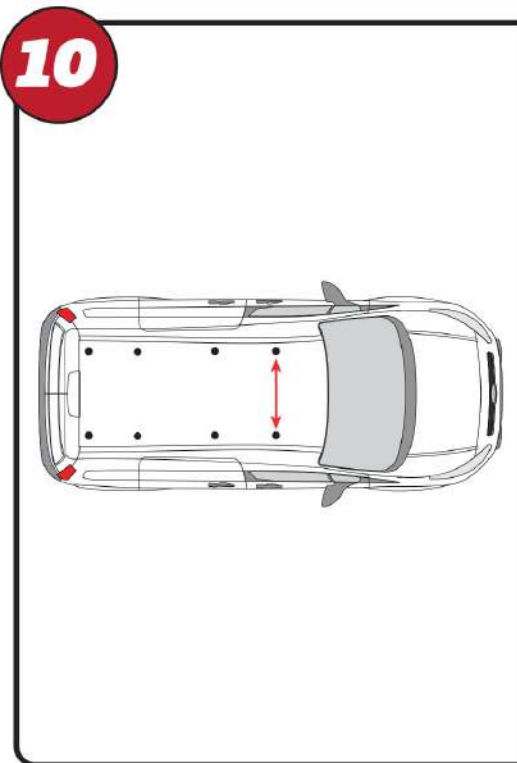
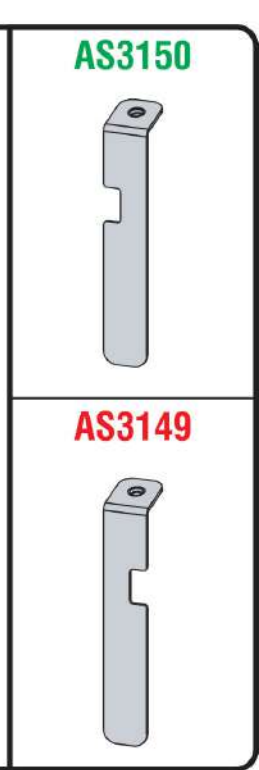
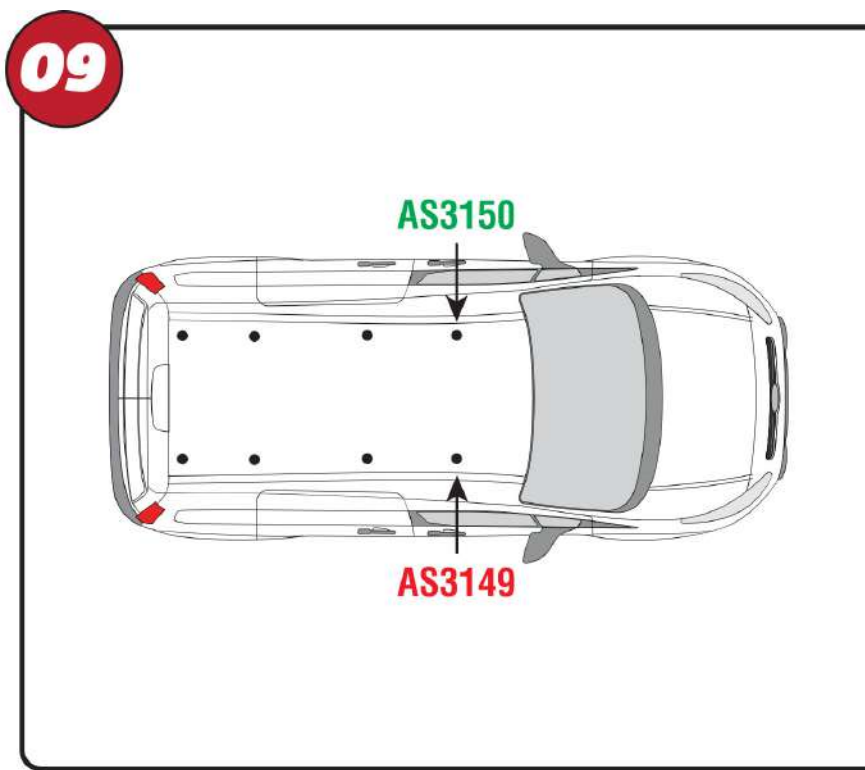
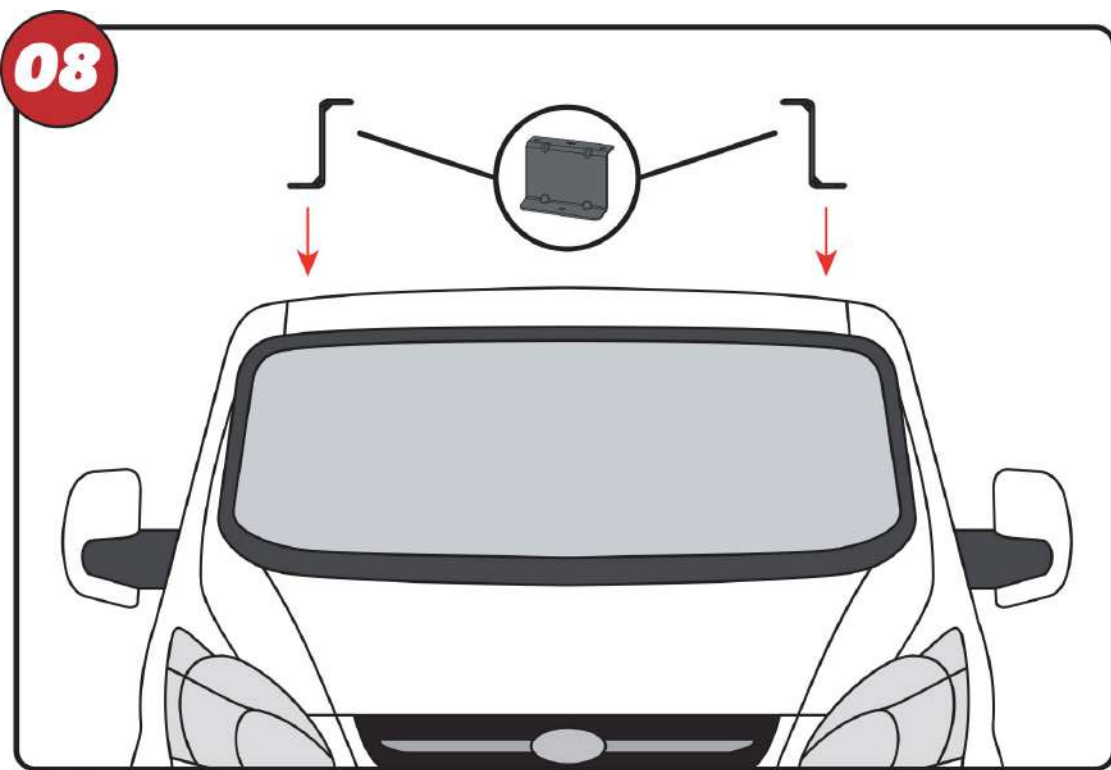
06

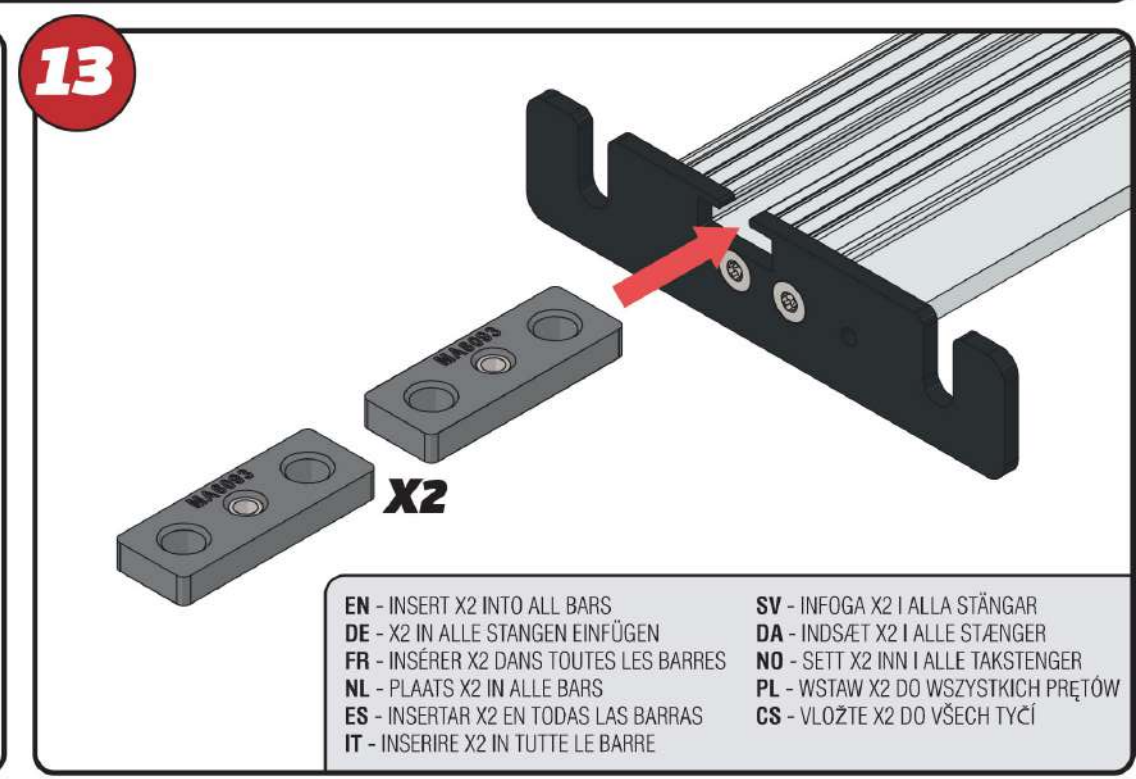
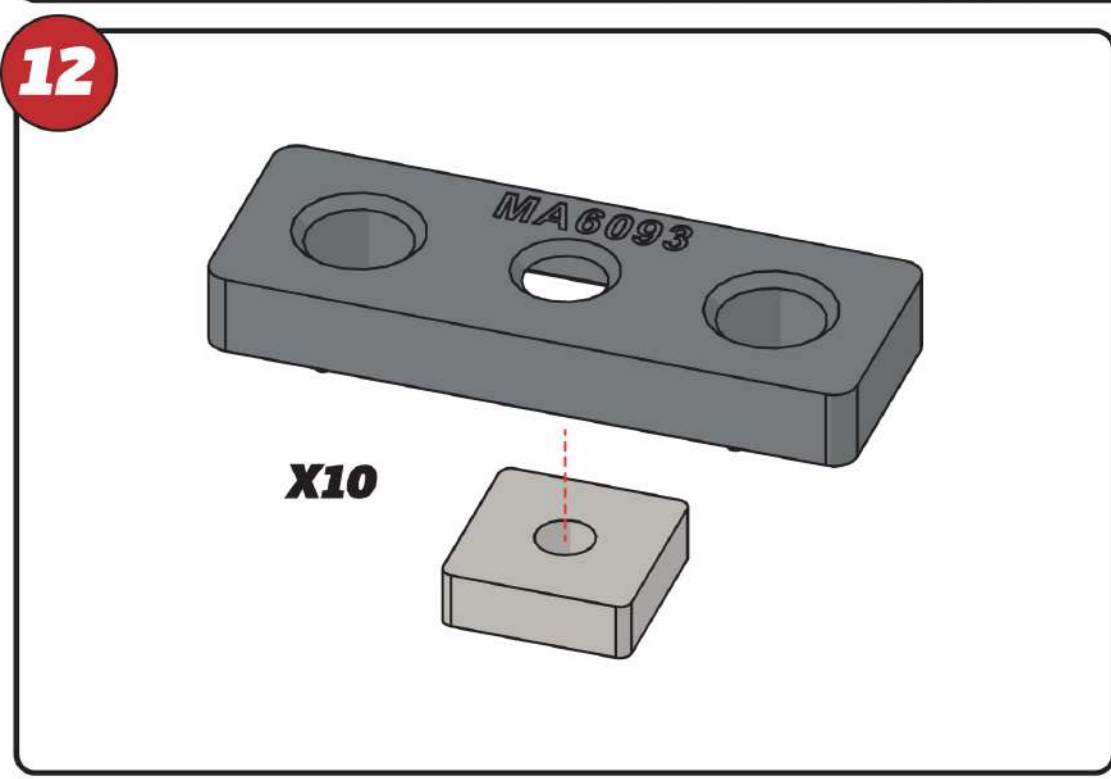
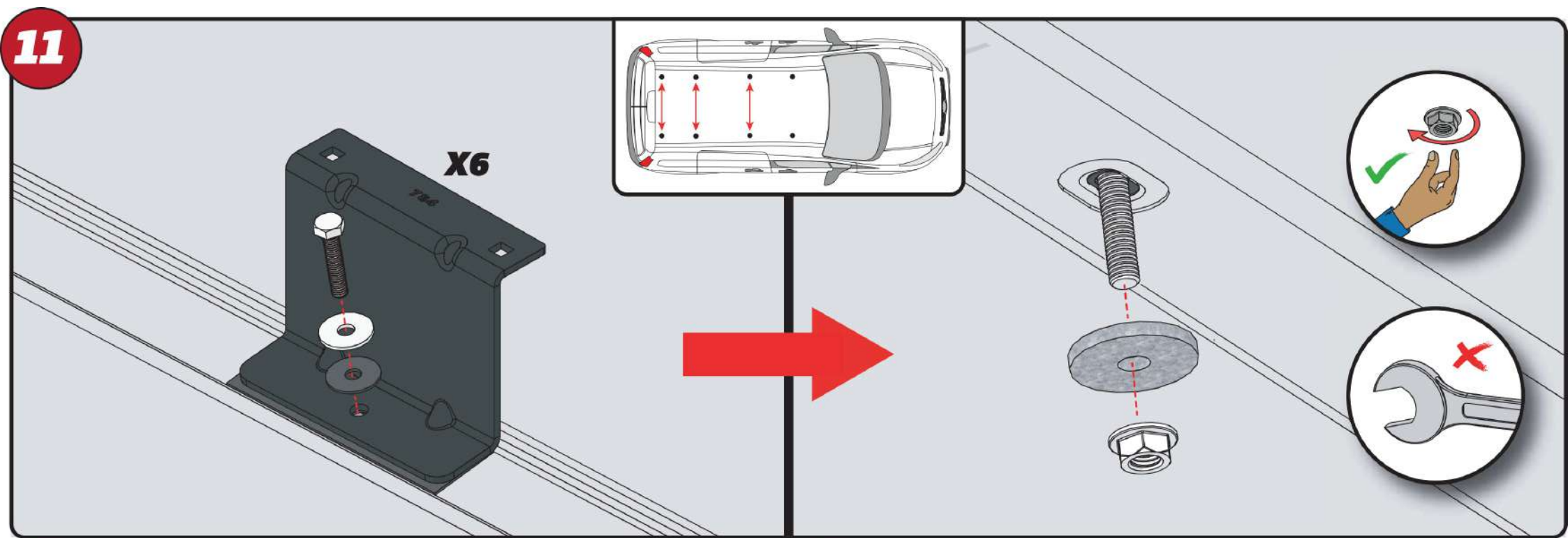


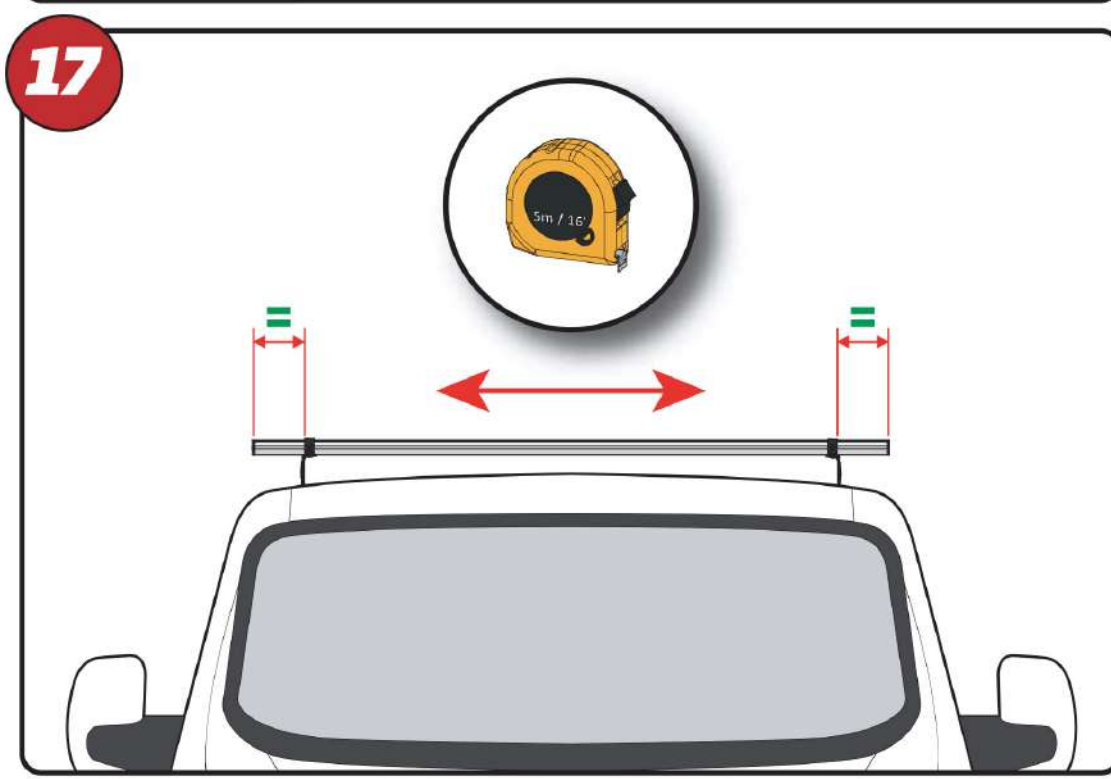
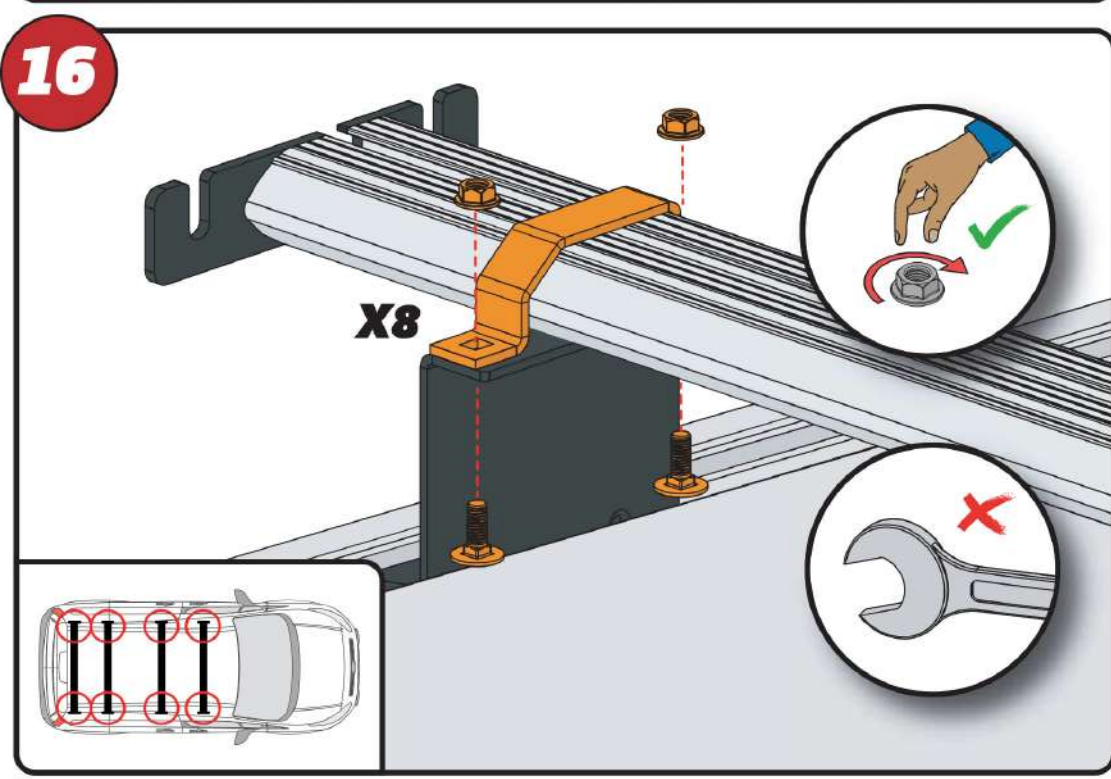
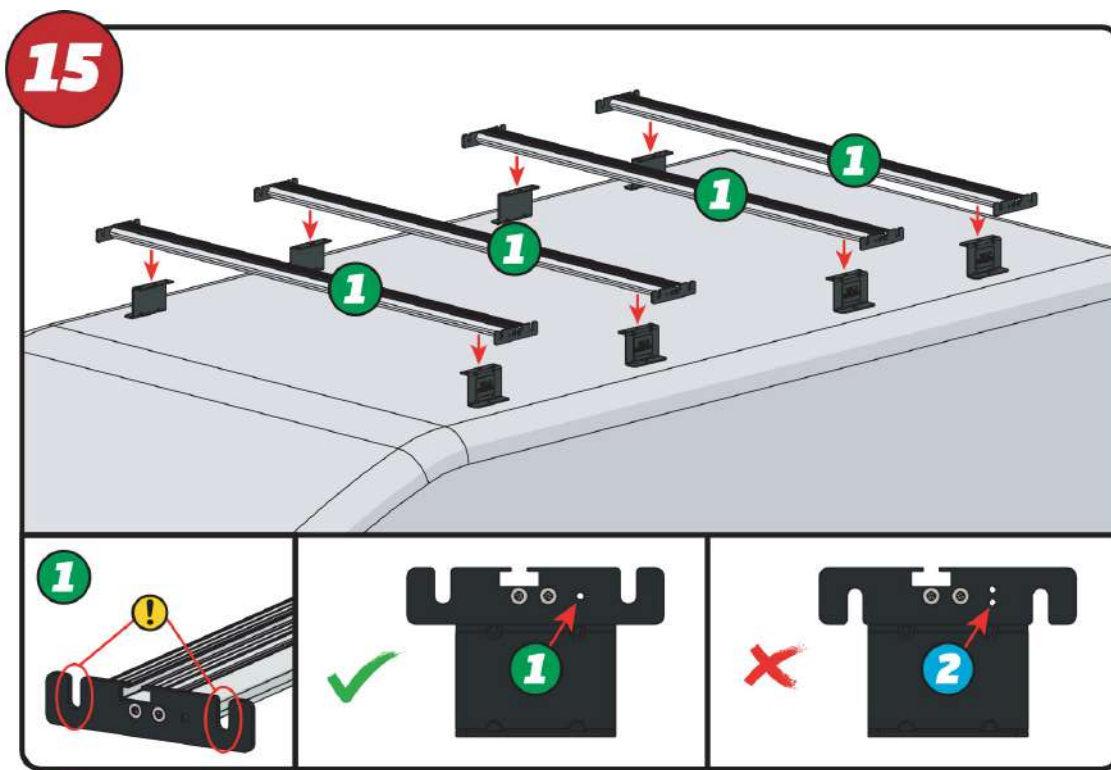
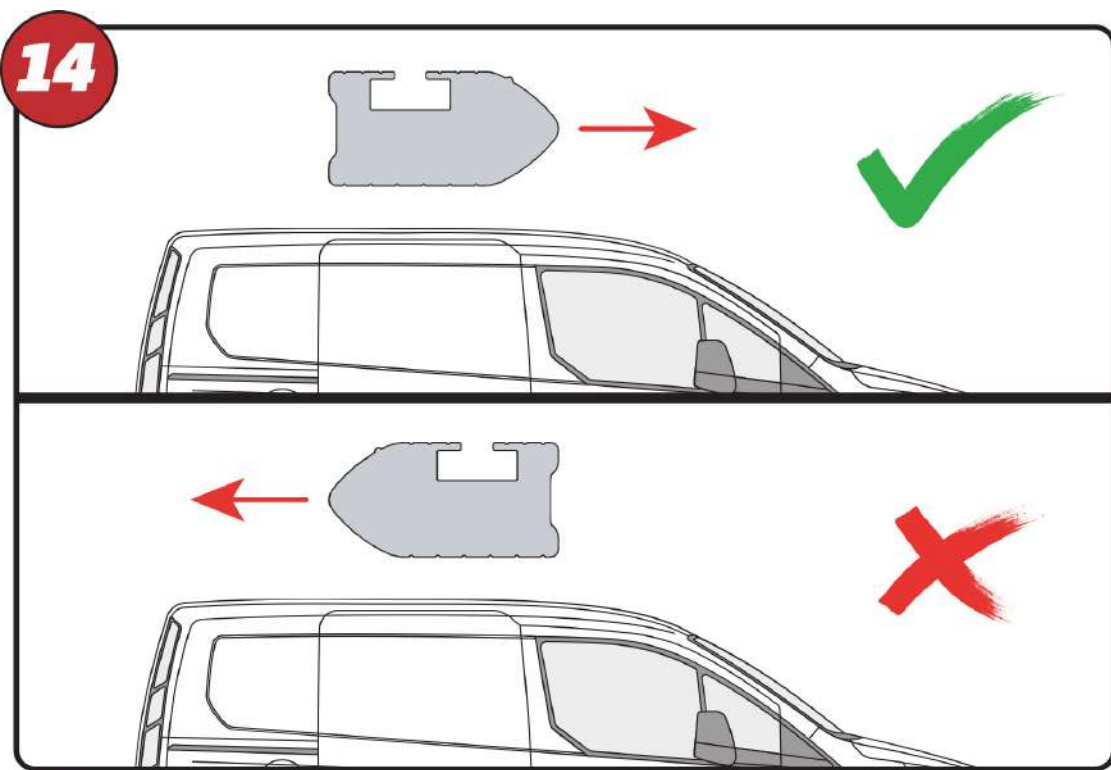
- EN - STICK GASKETS TO ALL BRACKETS
- DE - KLEBEN SIE DIE DICHTUNG AN ALLEN HALTERUNGEN
- FR - COUSSINETS ADHÉSIFS À TOUTS LES SUPPORTS
- NL - PLAK PAKKING OP ALLE BEUGELS
- ES - PEGA LAS ALMOHADILLAS A TODOS LOS SOPORTES
- IT - ADESIVI GUARNIZIONI A TUTTE LE STAFFE
- SV - FÄST GUMMI PÅ ALLA FÄSTEN
- DA - KLÆB GUMMI PÅ ALLE BESLAG
- NO - PLIST GUMMI PÅ ALLE BRAKKETER
- PL - NAKLEJ USZCZELKI DO WSZYSTKICH WSPORNIKÓW
- CS - PŘILEPTE TĚSNĚNÍ NA VŠECHNY DRŽÁKY

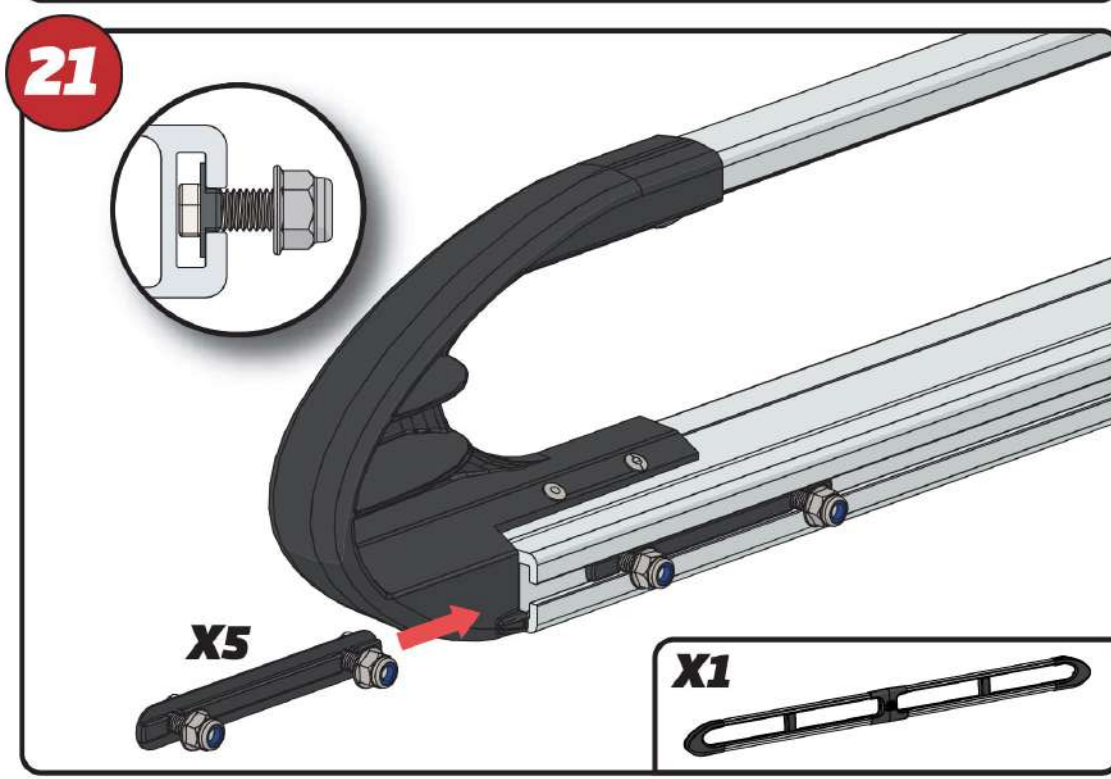
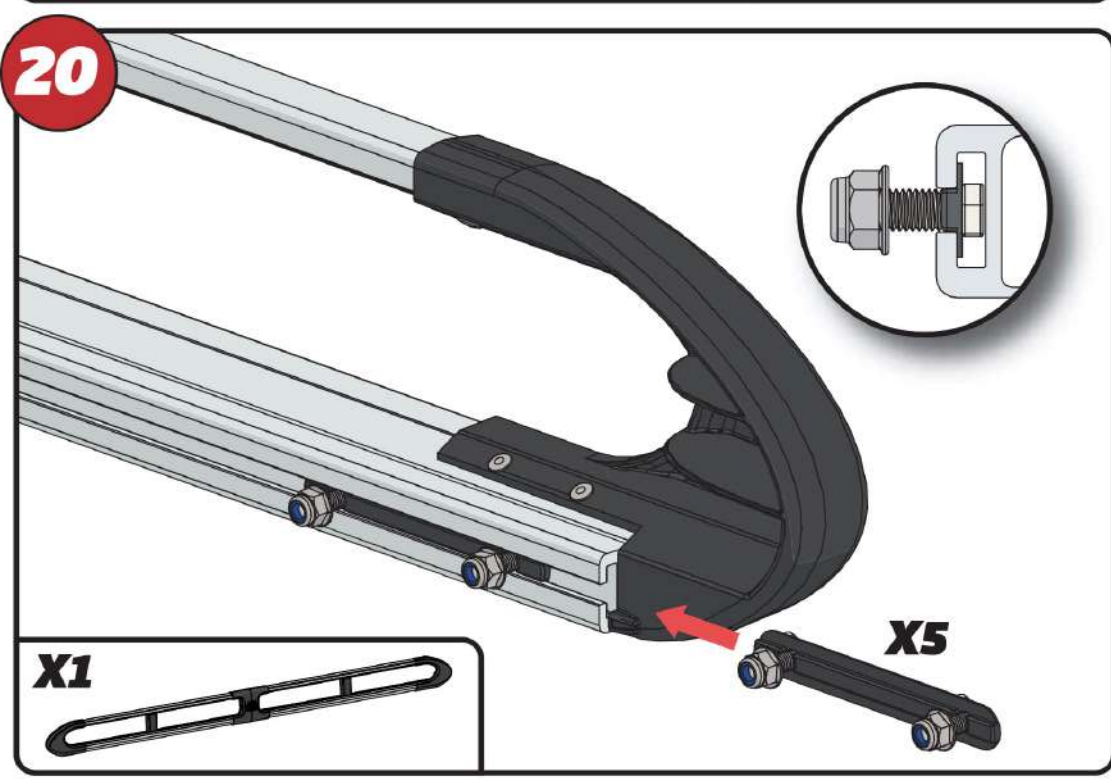
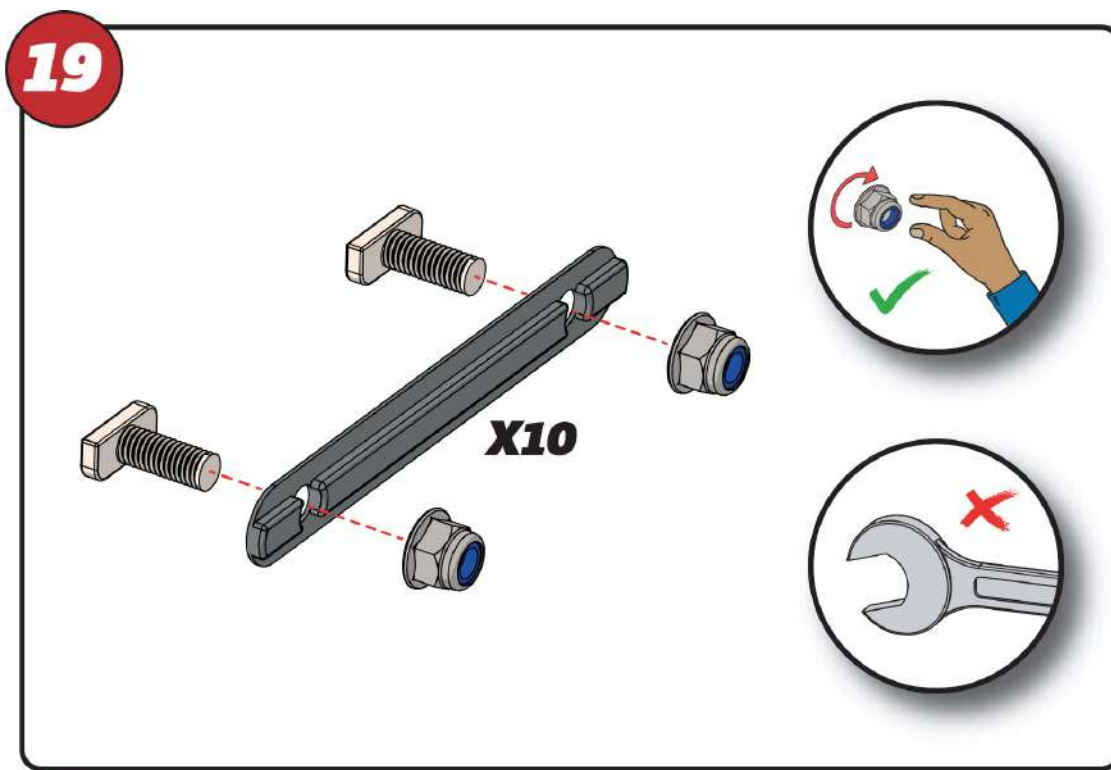
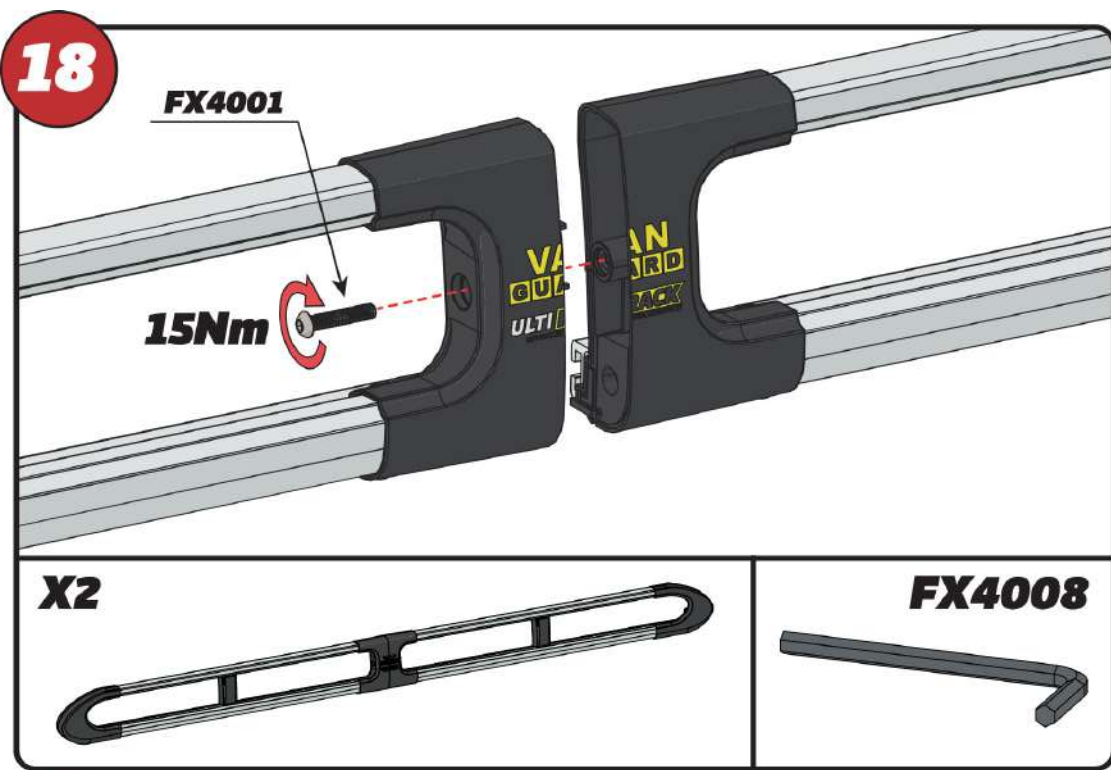
07

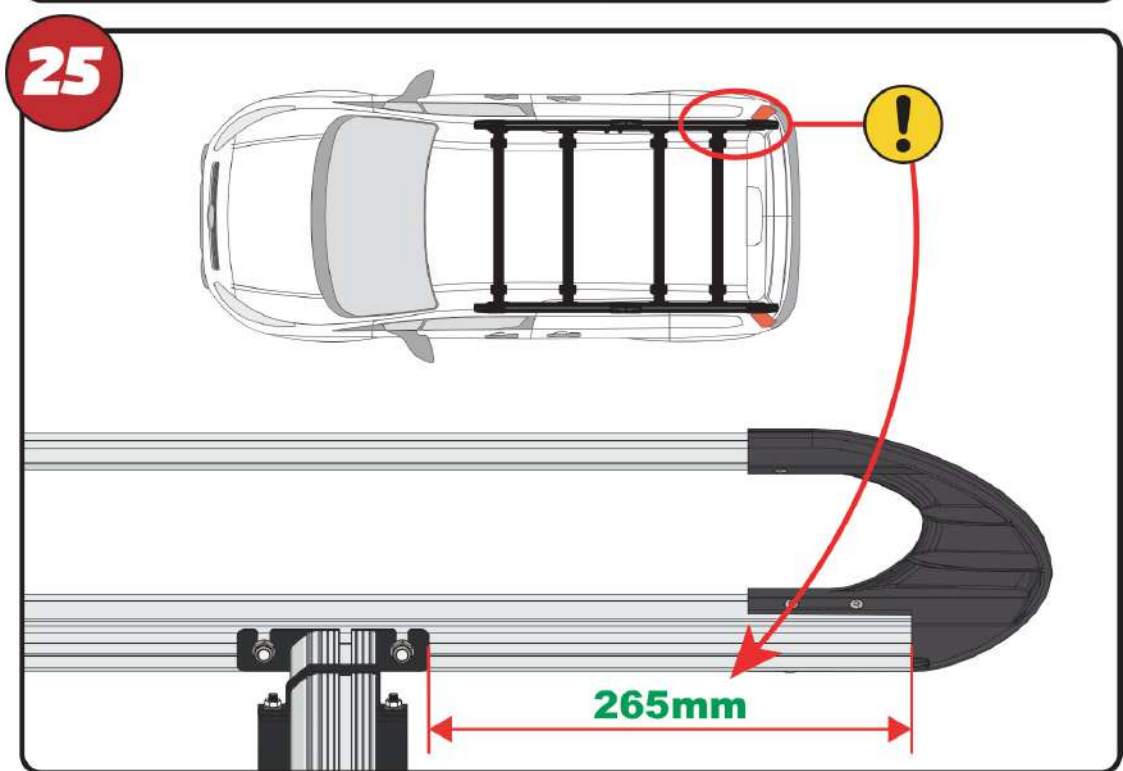
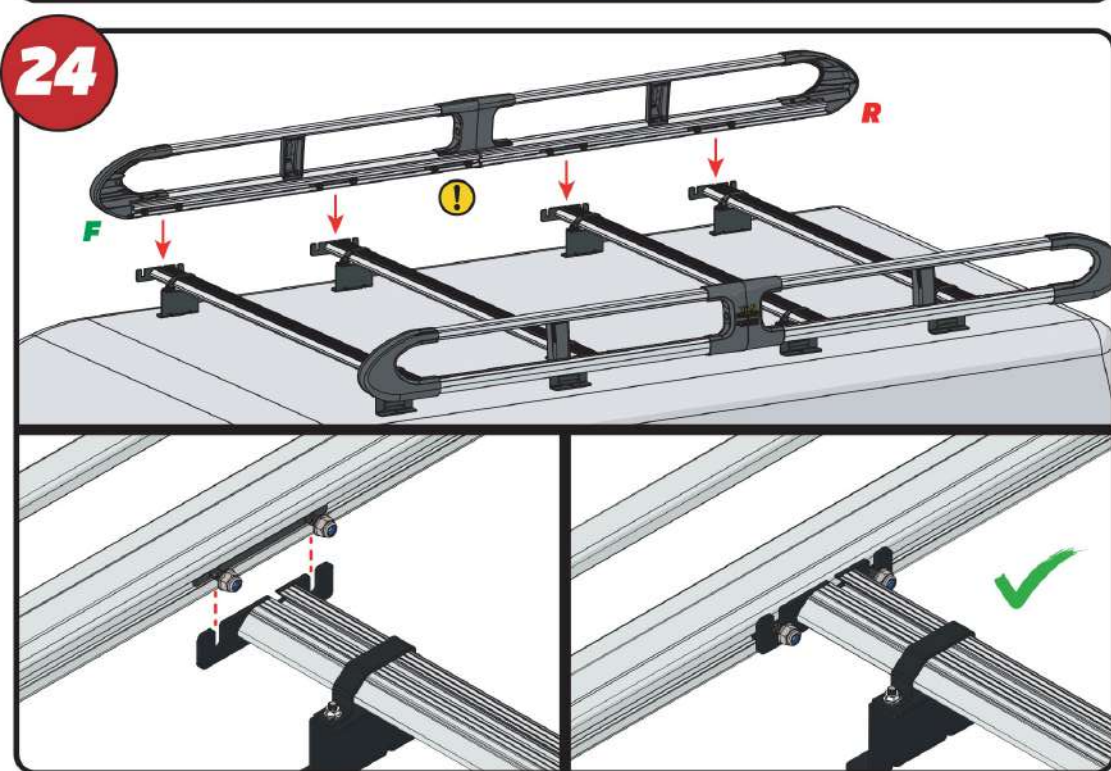
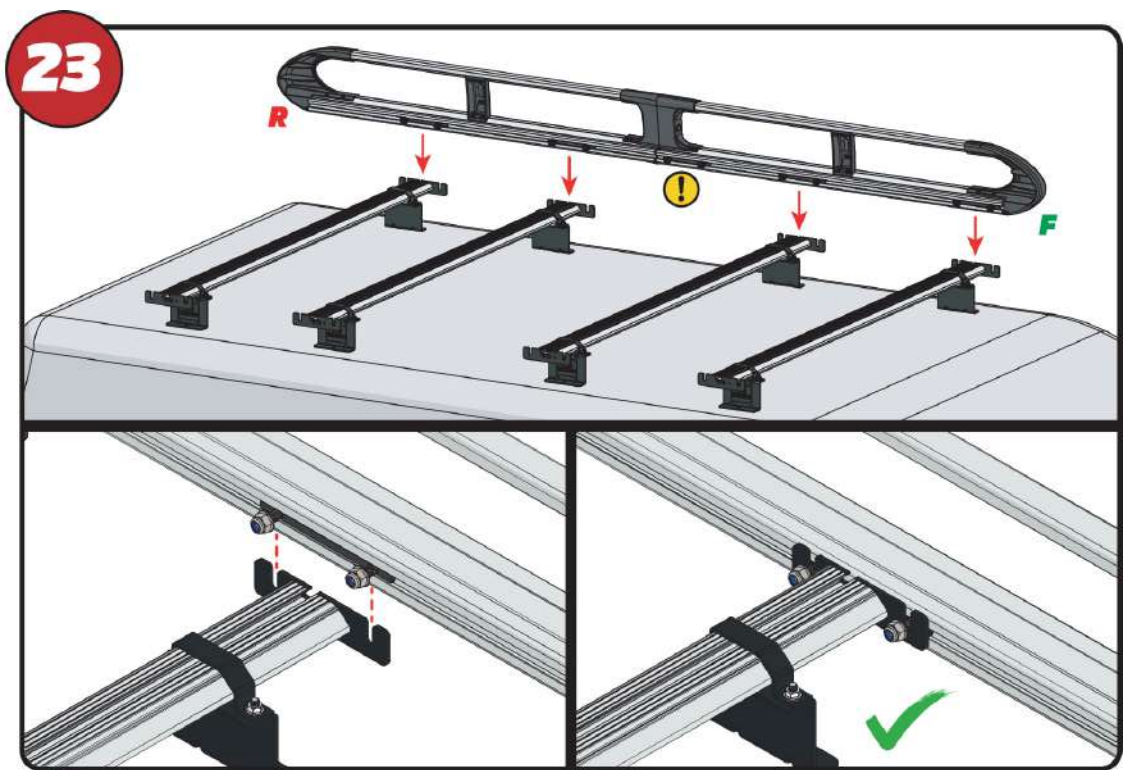
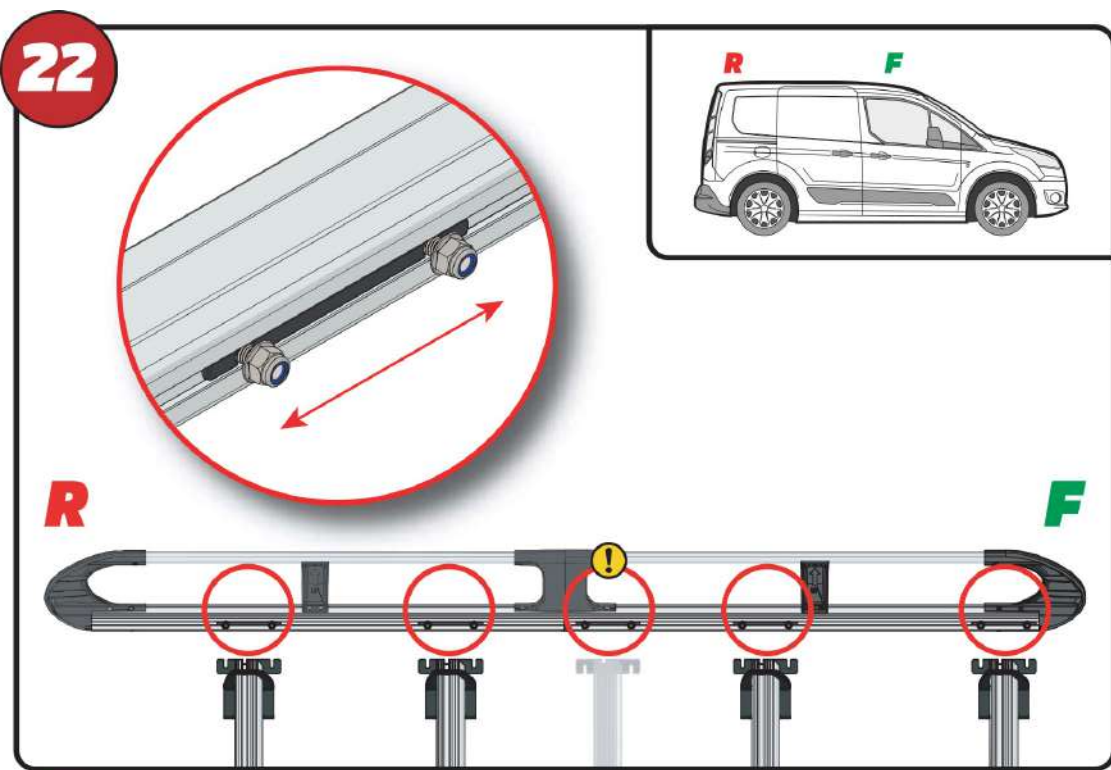


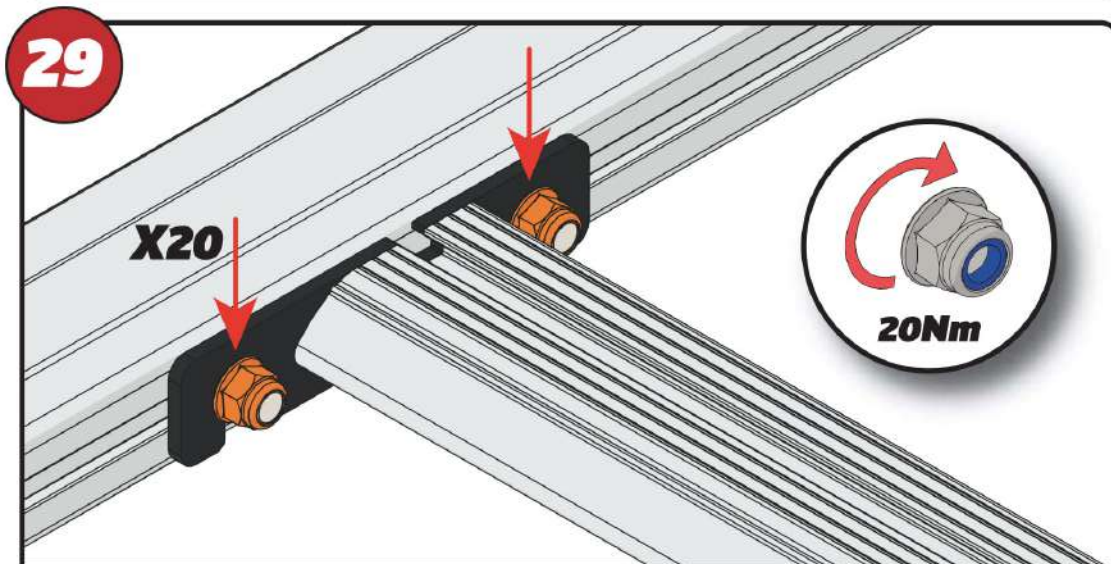
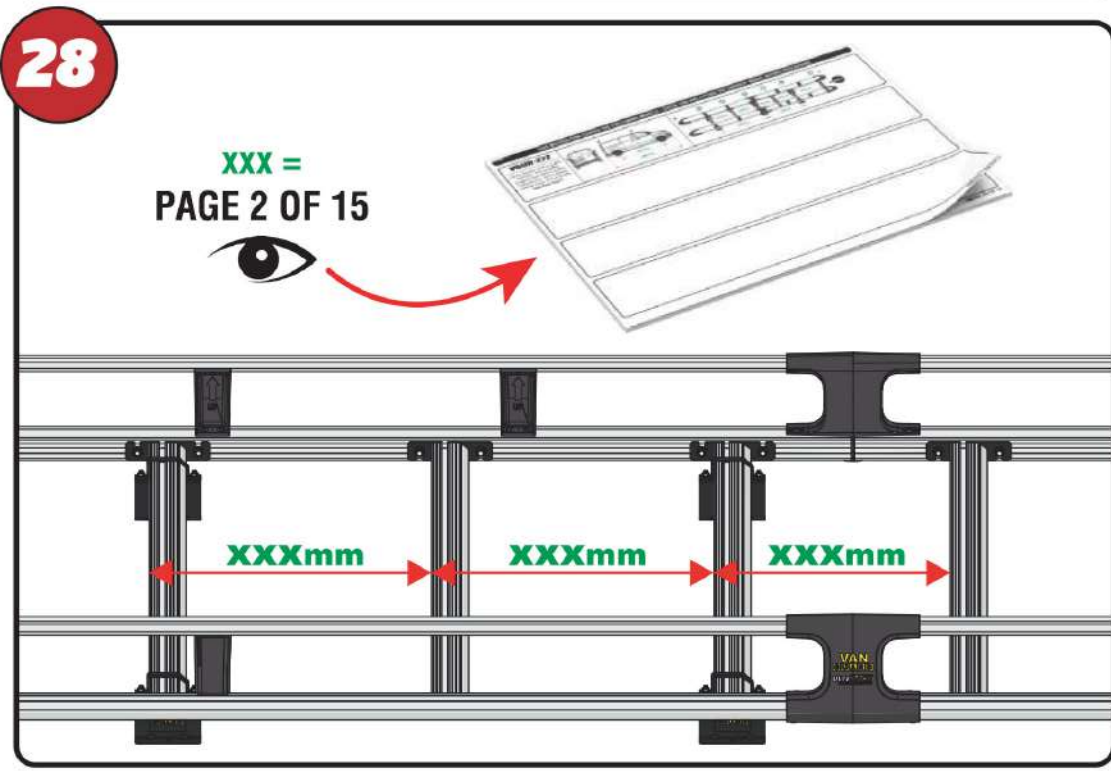
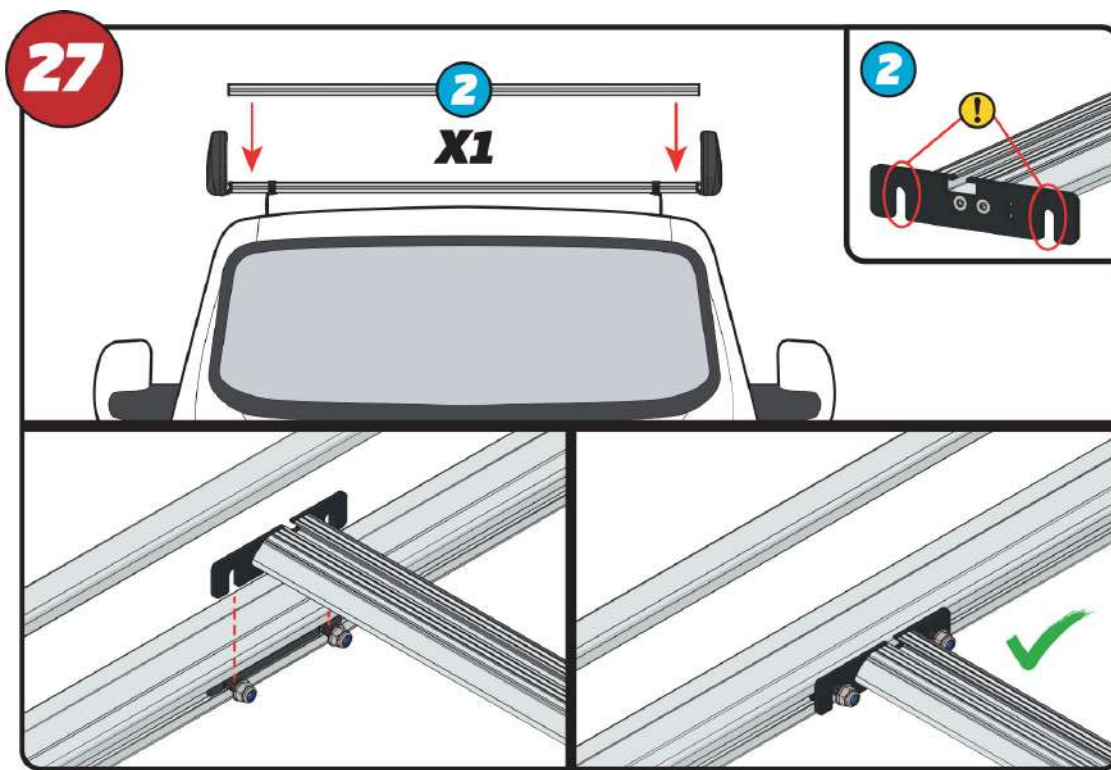
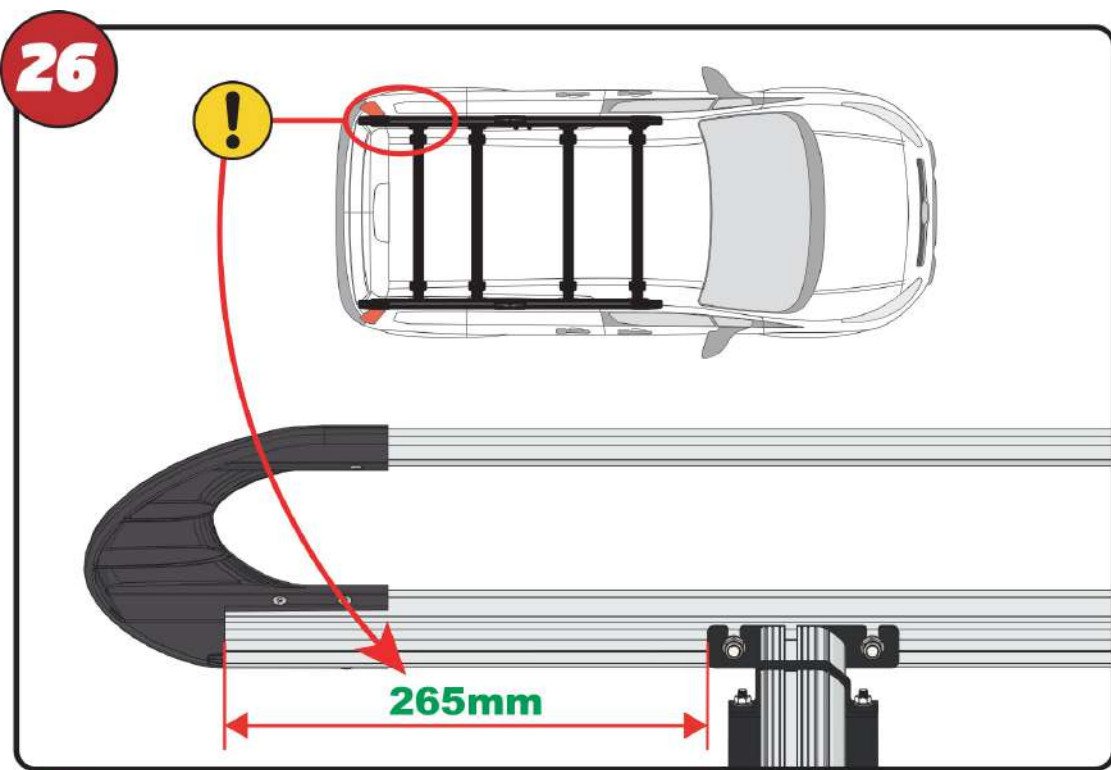






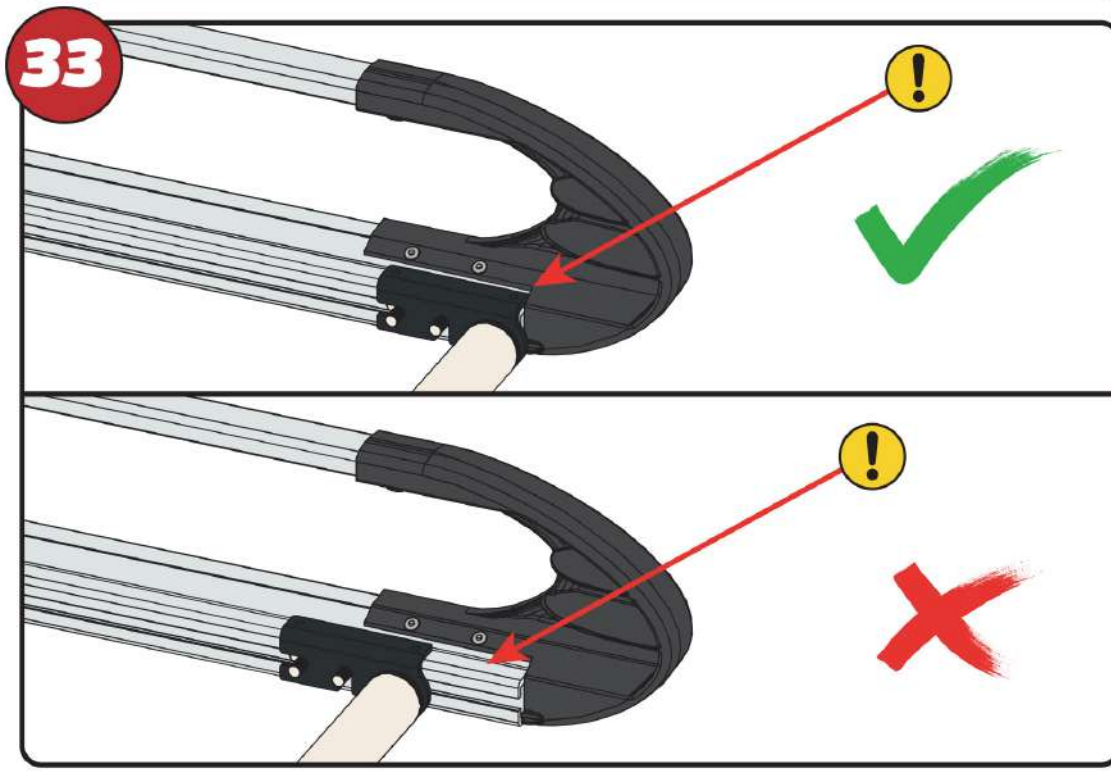
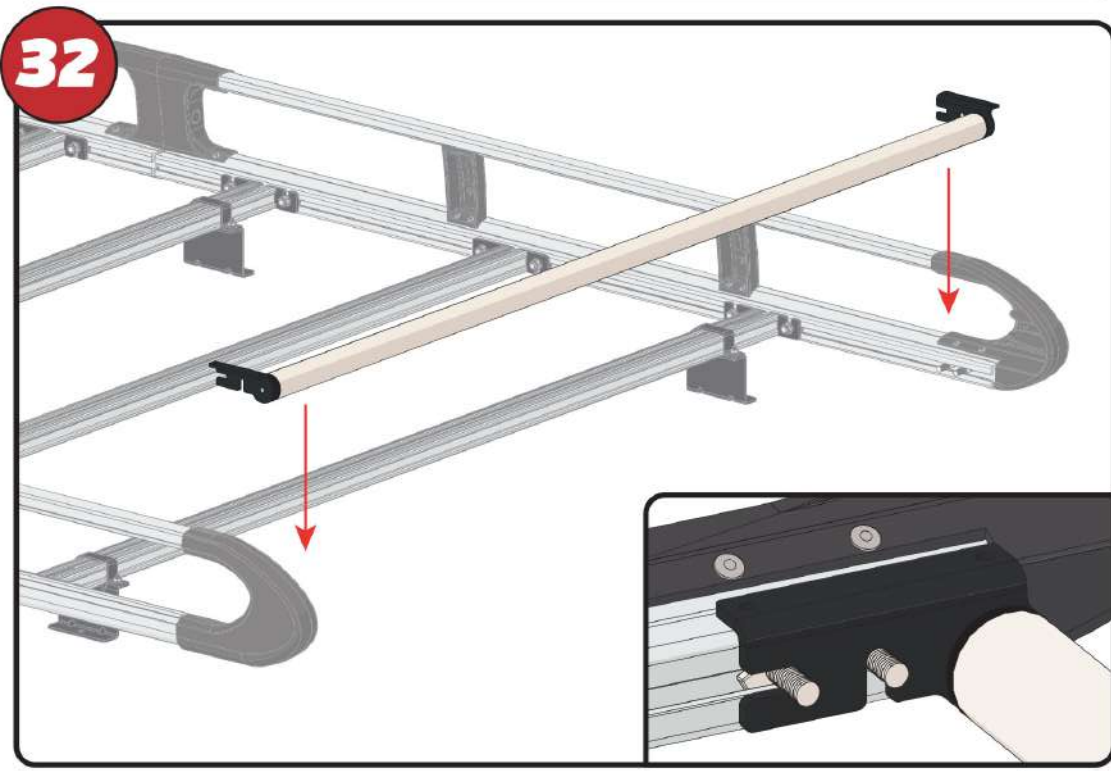
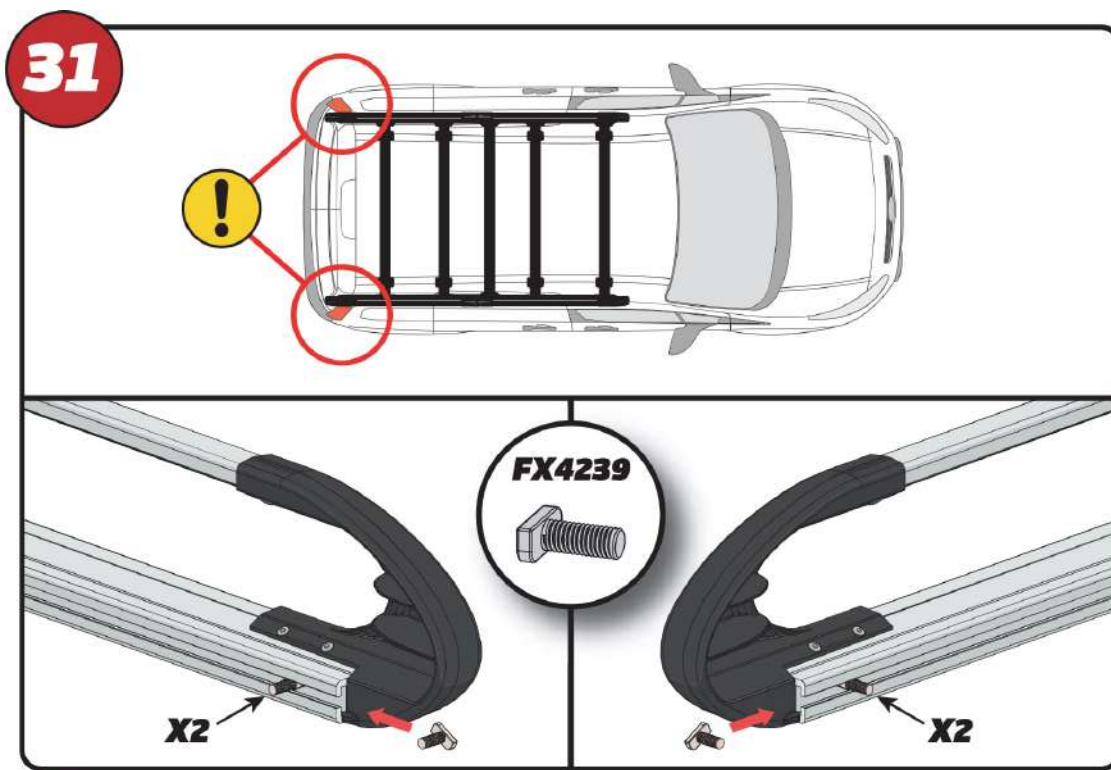
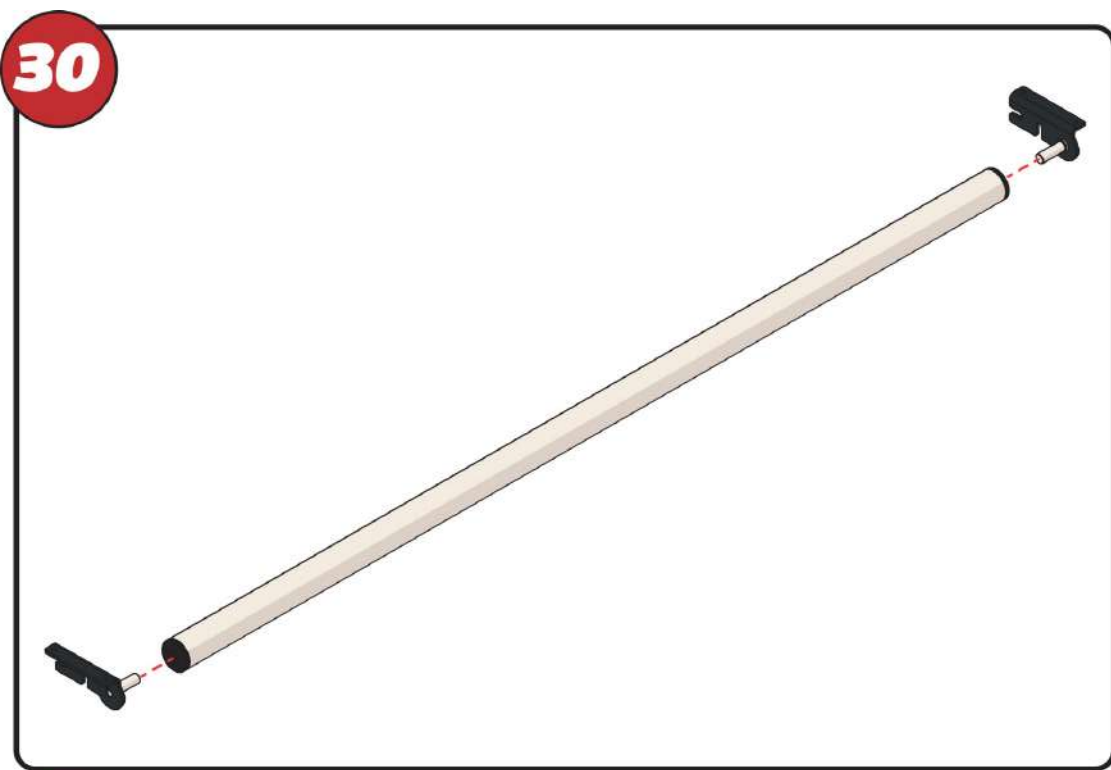


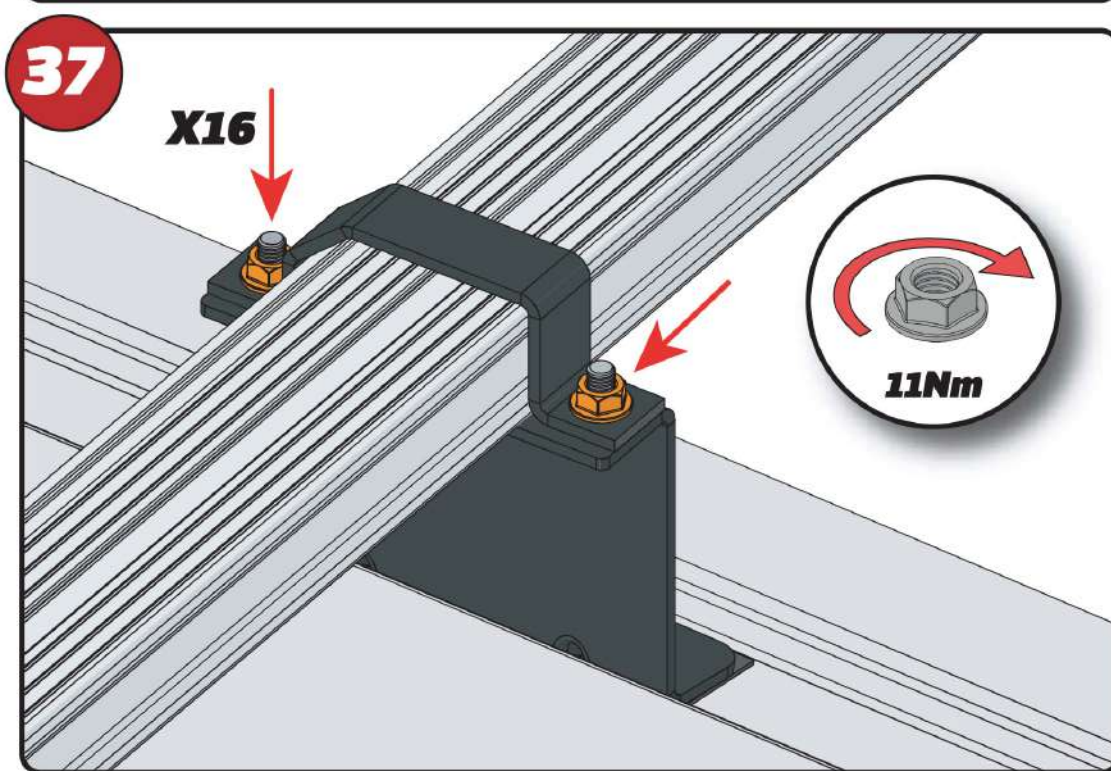
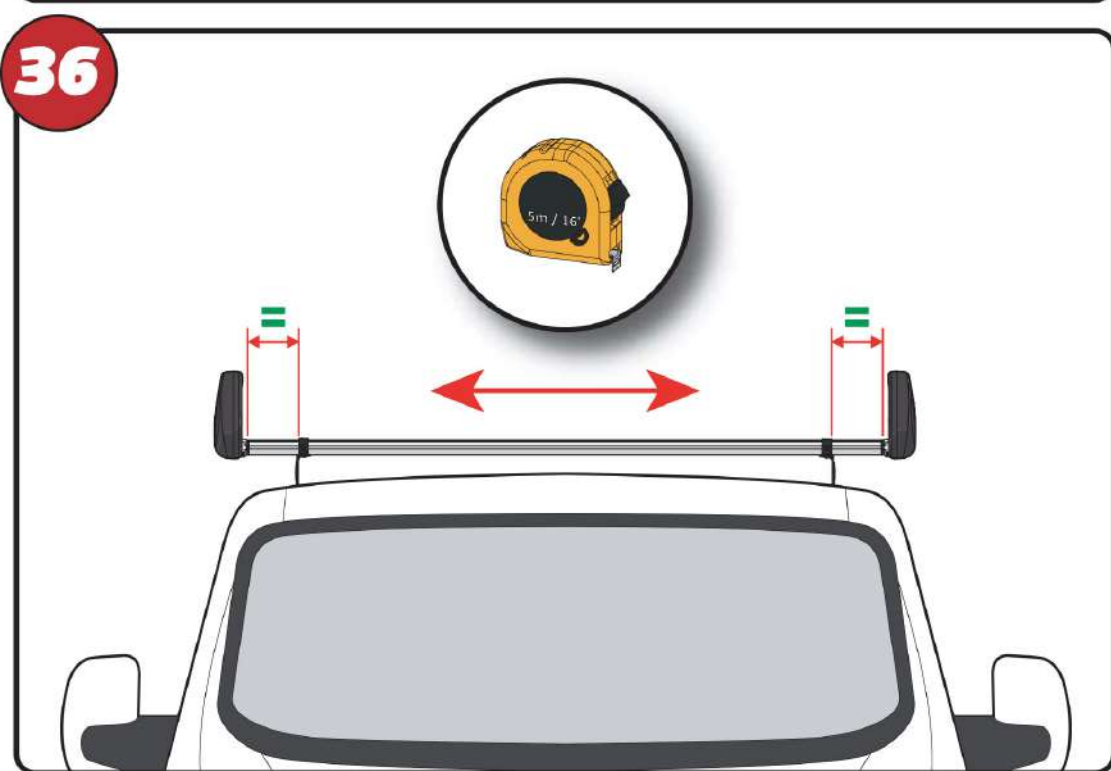
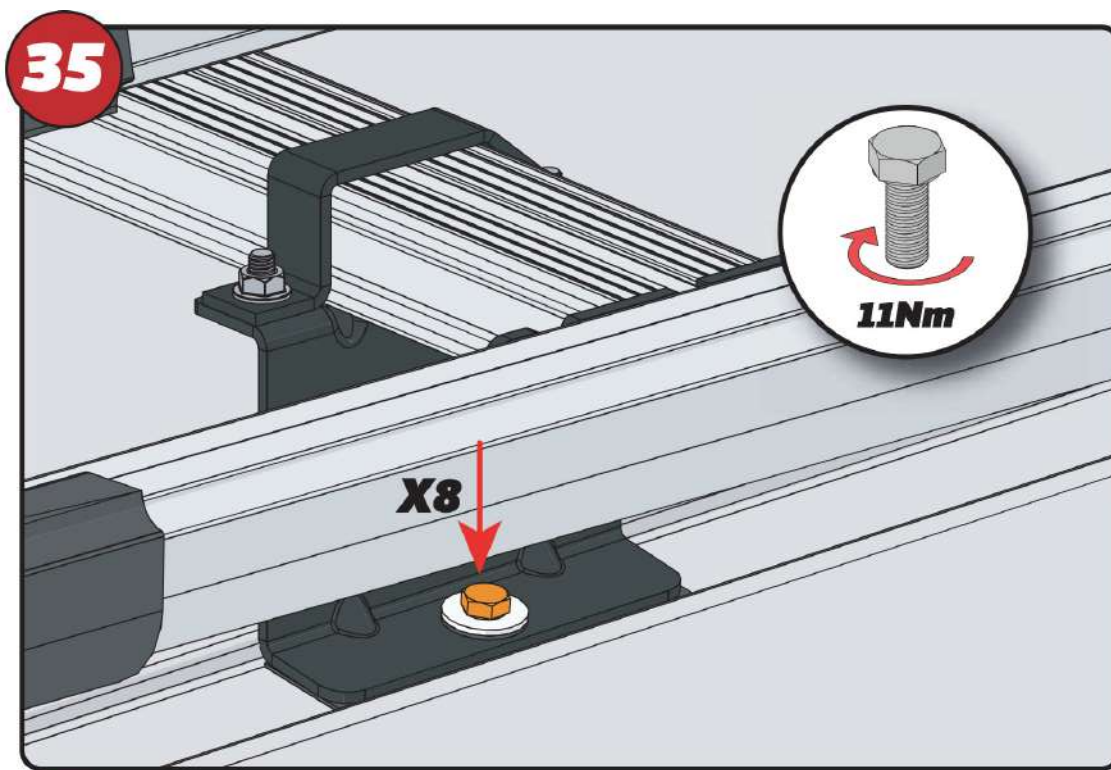
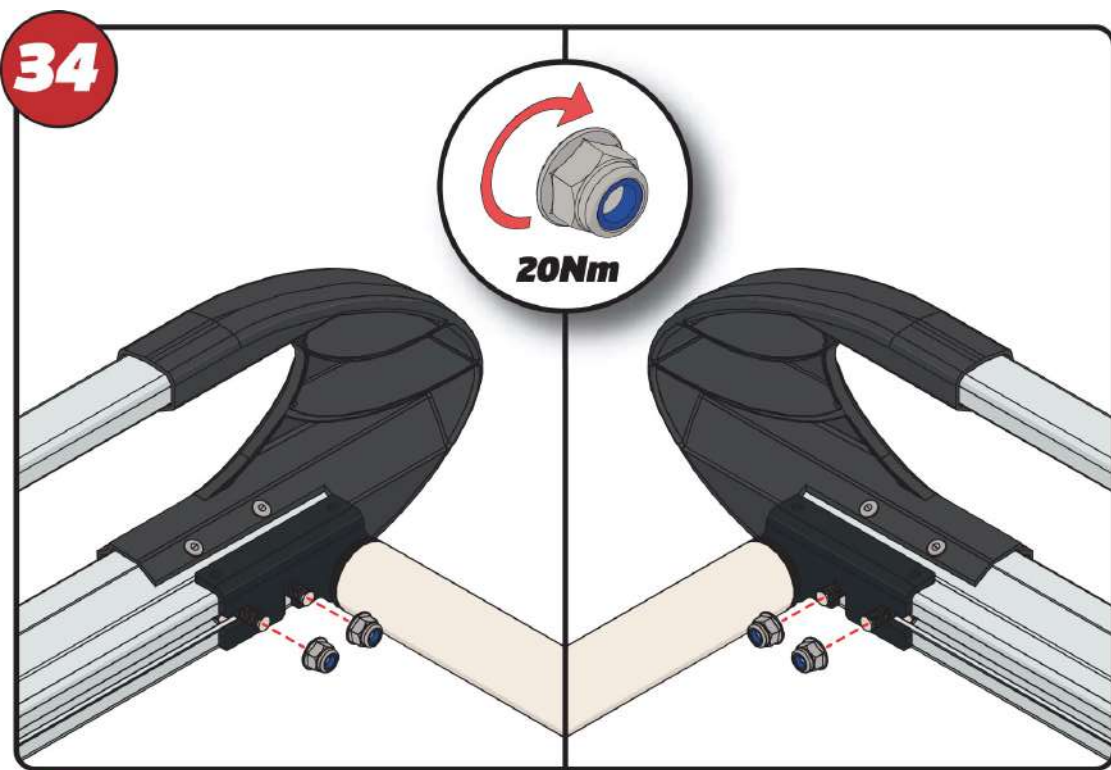




EN - TIGHTEN ALL OF THE CROSS BARS
 DE - ALLE QUERSTANGEN FESTZIEHEN
 FR - SERREZ TOUTES LES BARRES TRANSVERSALES
 NL - DRAAI ALLE DWARSBALK VAN HET DAK AAN
 ES - APRIETE TODAS LAS BARRAS TRANSVERSALES
 IT - STRINGERE TUTTE LE BARRE TRASVERSALI

SV - SKRU UPP ALLA KORSSTANGAR
 DA - SKRU ALLE TAGBØJLER OP
 NO - SKRU OPP ALLE TVERRSTENGER
 PL - DOKRĘCIĆ WSZYSTKIE POPRZECZKI
 CS - VŠECHNY PŘÍČNÉ TYČE SEŠROUJTE



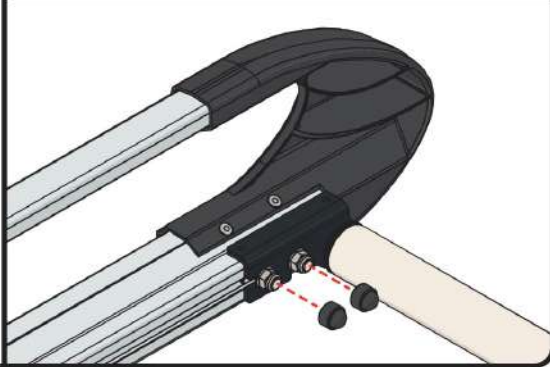
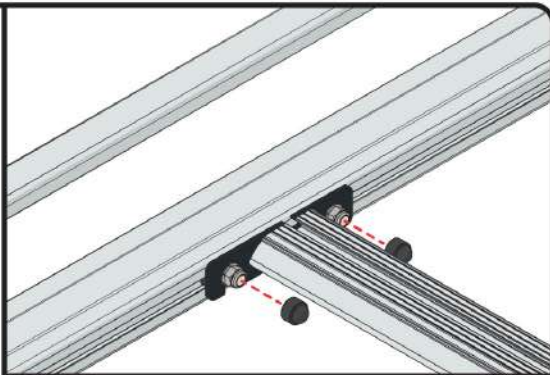


38



FX4241

X24



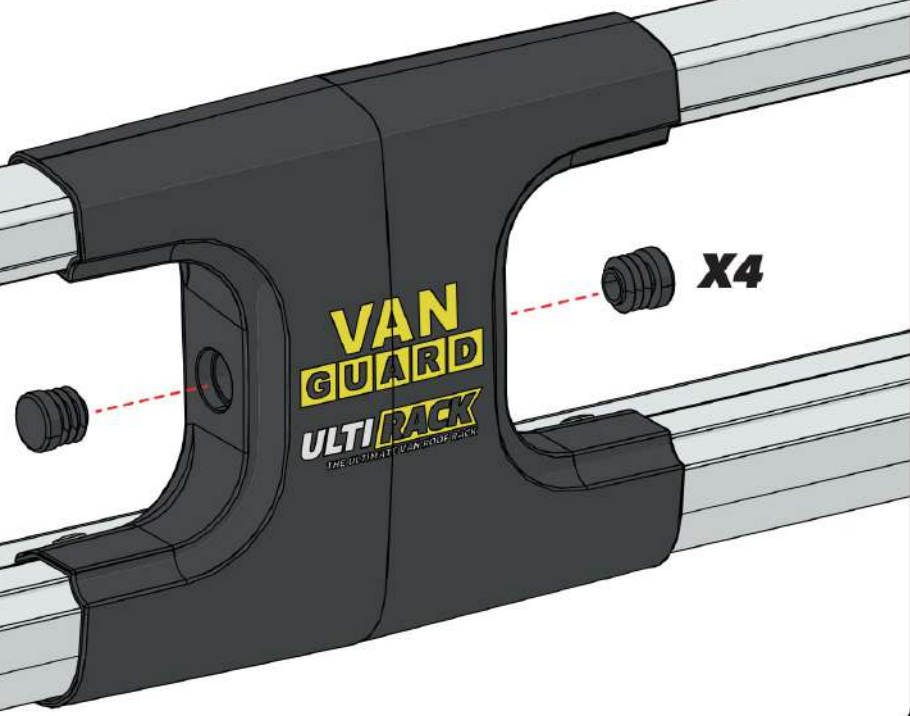
39



X8



40



X4

41

