



934-406

Lv7 2018-r1

Modelo-model:

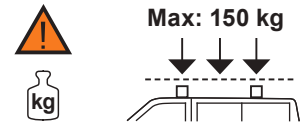
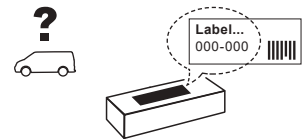
Kit soportes LCV

Lote-Lot-Lot-Lot:

01-18

Peso-Weight-Poids-Gewicht:

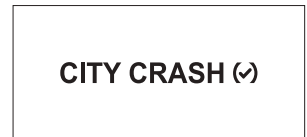
3,40 kg



CEE - EEC type approval:

E9 26 R- 04 3022

E9 26 R- 04 3024

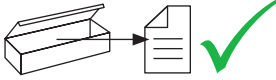


CRUZBER SA
ES-A14018311
P.I. Las Salinas II
14960 - Rute - Spain
www.cruzber.com

- | | | |
|--------------|---|-------------------------|
| (E) | Instrucción de montaje
¡Leer primero! | Kit fijación |
| (GB) | Assembly instructions
Read first! | Fixation Kit |
| (F) | Instruction de montage
Lire en premier! | Kit fixation |
| (D) | Montageanleitung
Zuerst lesen! | Stützfuß-Kit |
| (PT) | Instruções de montagem
Ler primeiro! | Kit fixação |
| (PL) | Instrukcja montażu
Najpierw przeczytaj! | Element mocujący |
| (CZ) | Montážní návod
Čtěte pozorně! | Fixační kit |
| (HU) | Szerelési Utasítás
Először olvassd el! | Rögzítő készlet |
| (RO) | Instructiuni de montaj
Intai cititi! | Kit de fixare |
| (HR) | Detaljne upute
Prvo pročitati! | Kit za montažu |
| (GR) | Διαβάστε προσεκτικά τις
Οδηγίες Συναρμολόγησης! | Κιβώτιο (Kit) Επισκευής |
| (TR) | Öncelikli montaj:
Talimatlarını okuyunuz! | Montaj kiti |
| (RU) | Инструкции по монтажу
Сначала прочитайте! | Крепежный комплект |
| (I) | Istruzioni di montaggio
Leggere per primo! | Kit di fissaggio |
| (NL) | Montagehandleiding
Eerst lezen! | Bevestigingsset |
| (SLO) | Navodila za sestavljanje
Preberite! | Kit za pričvrstitev |



1.



(E) Contenido embalaje: ¡Verificar!

(GB) Package content: Check!

(F) Contenu d'emballage: Vérifier!

(D) Packungsinhalt: Überprüfen!

(PT) Contéudo embalagem:
Verificar!

(PL) Zawartość opakowania:
sprawdź!

(CZ) Obsah balení: Zkontrolujte!

(HU) Csomag tartalma: Ellenőrizd!

(RO) Pachetul contine: Verificati!

(HR) Sadržaj paketa: Provjeri!

(GR) Ελέγξτε το περιεχόμενο του
πακέτου!

(TR) Paket içeriğini: Kontrol ediniz!

(RU) Содержание упаковки:
Проверьте!

(I) Contenuto della confezione:
Controllare!

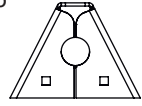
(NL) Pakket inhoud: Controleer!

(SLO) Vsebina paketa: Preverite!

x1



x6



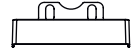
(500)

x6



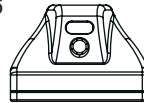
(847)

x6



(012-233)

x6



(813-074)

x2



1x (805-029)

1x (810-181)

2. 



50x30 mm



52x35 mm
Aluminium



pág. 3,4,5,6,7

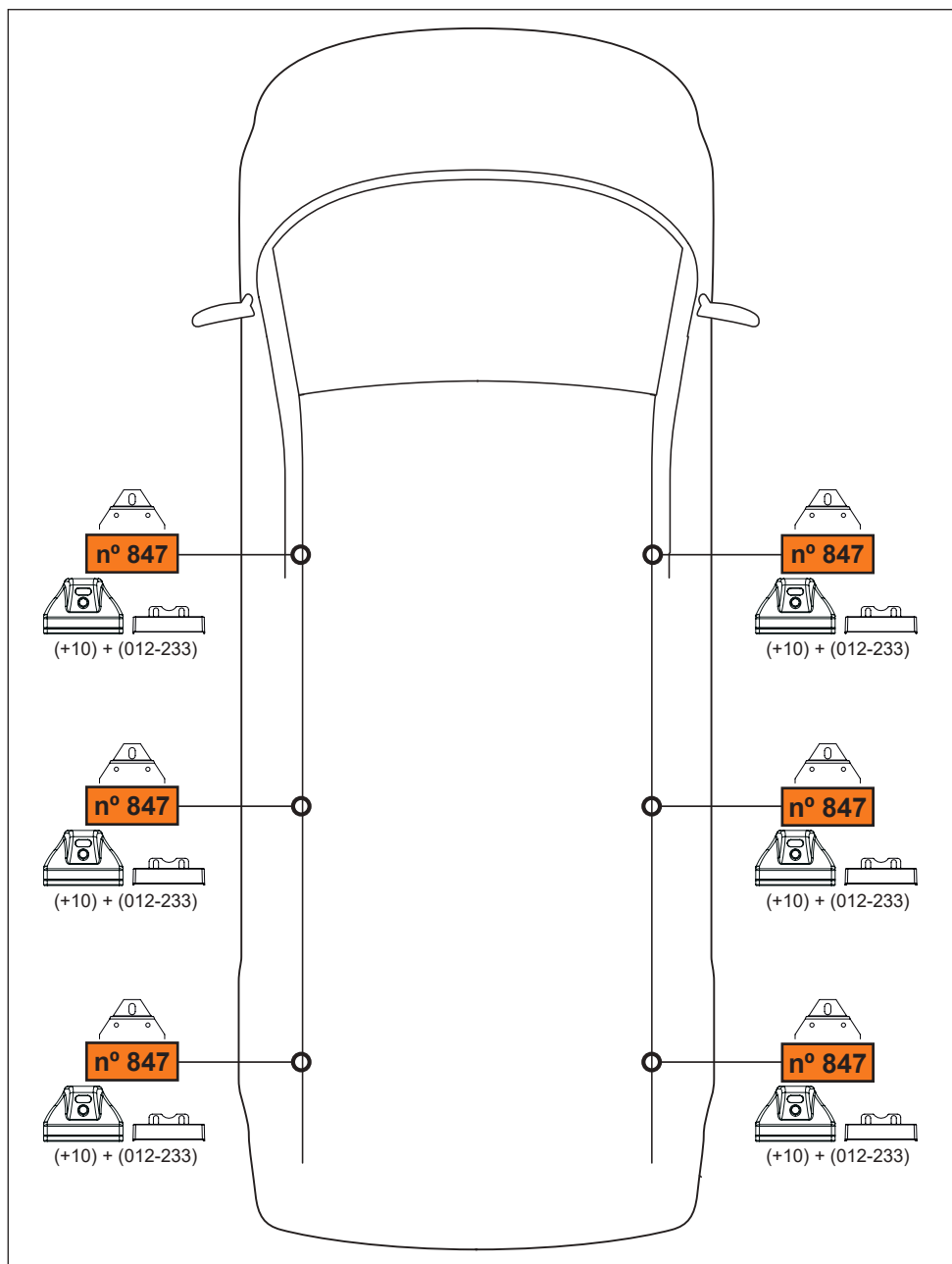


pág. 3,4,8,9,10,11

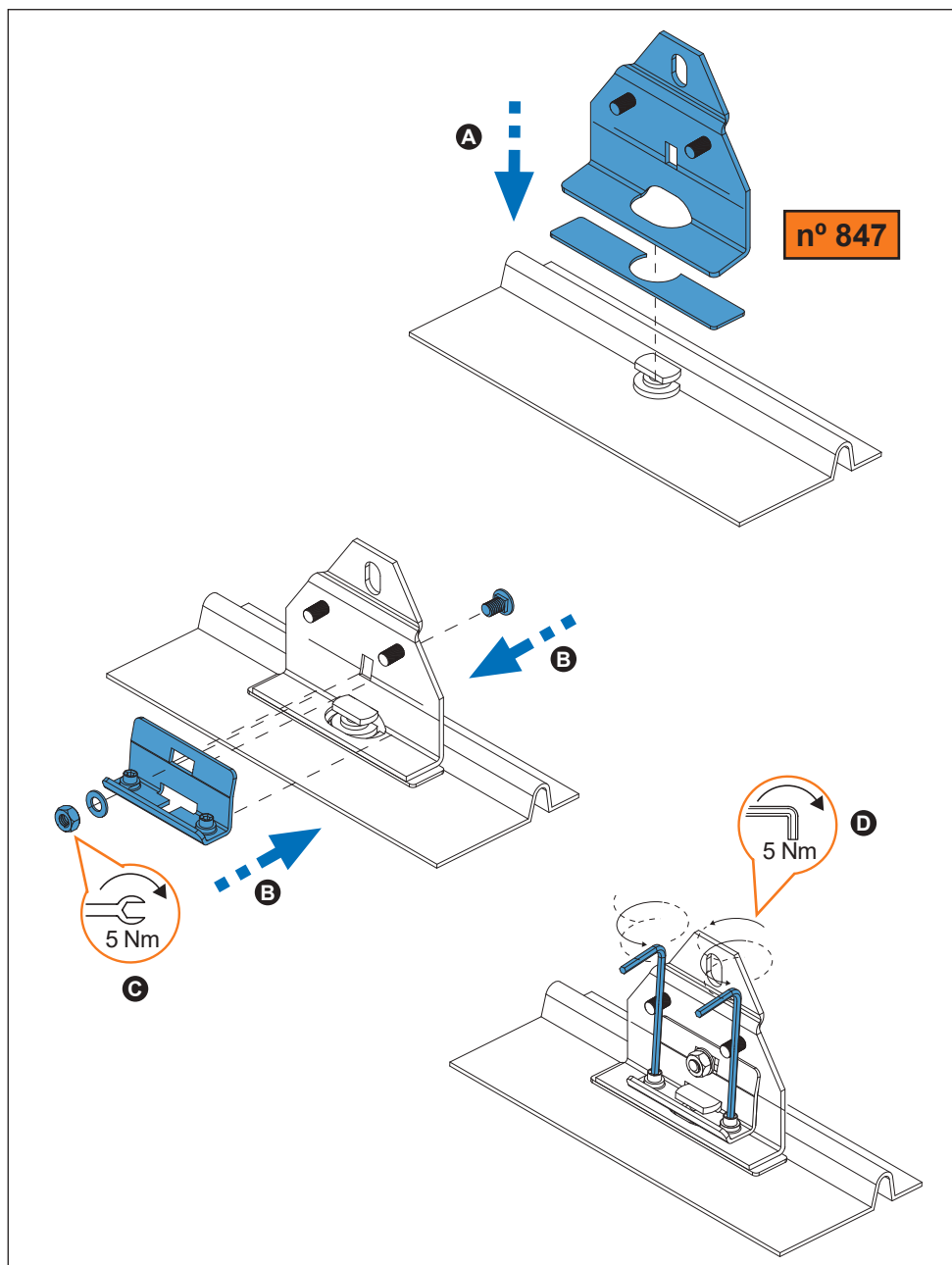


pág. 3,4,12,13,14,15

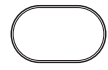
3.



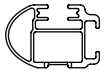
4. 



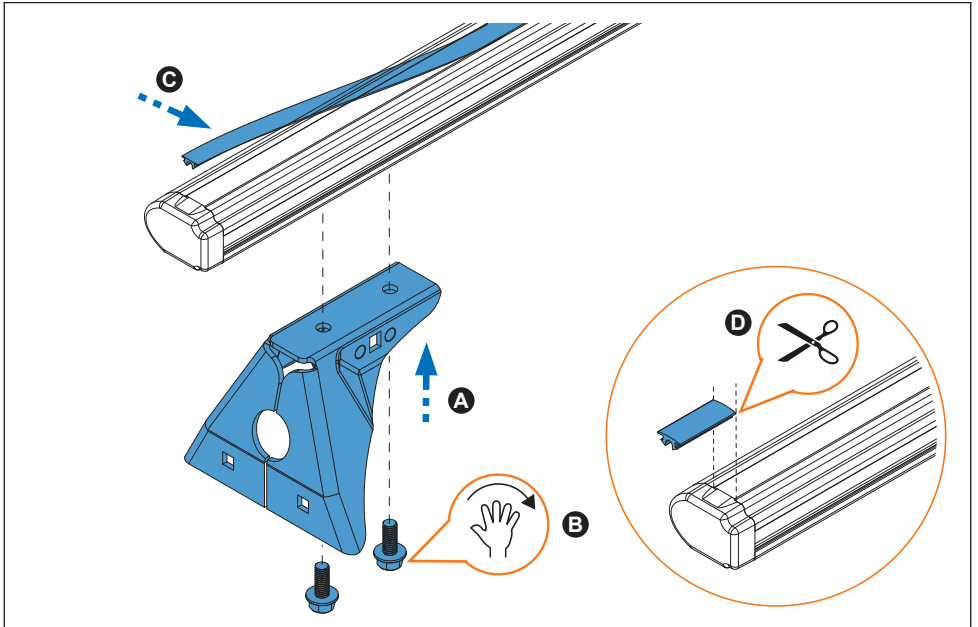
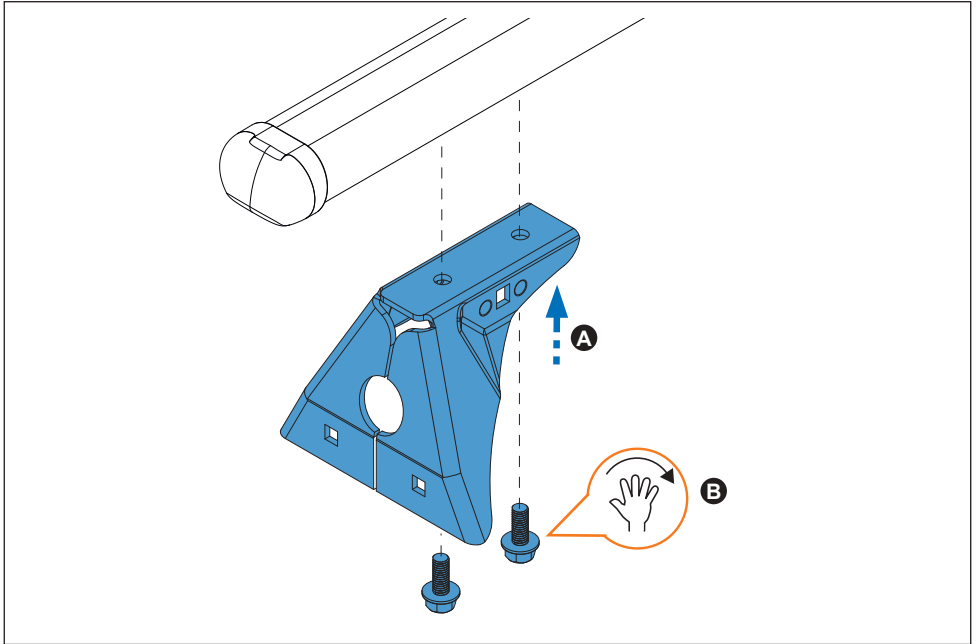
5. 



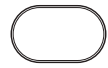
50x30 mm



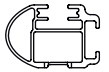
52x35 mm
Aluminium



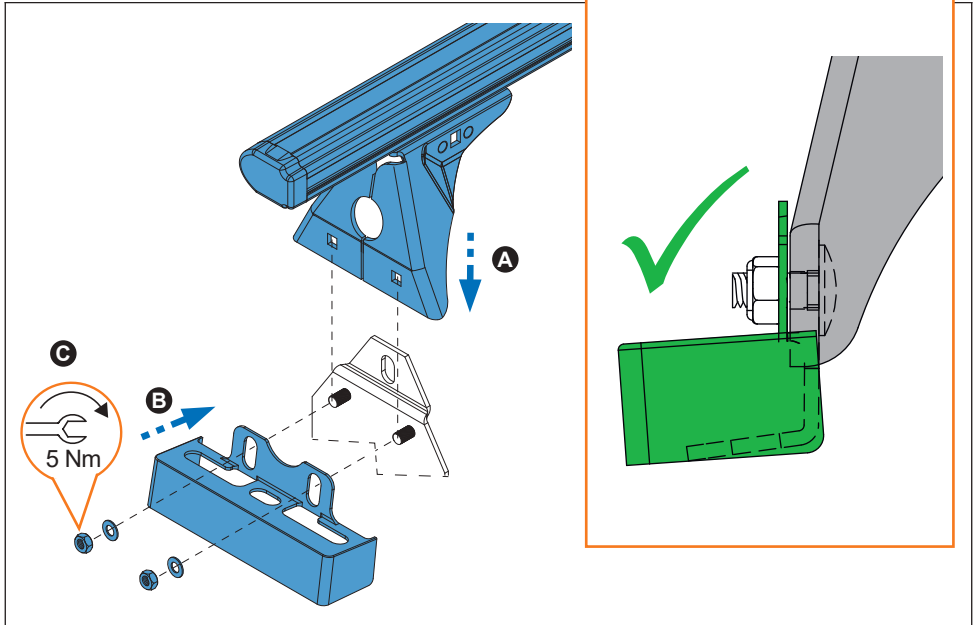
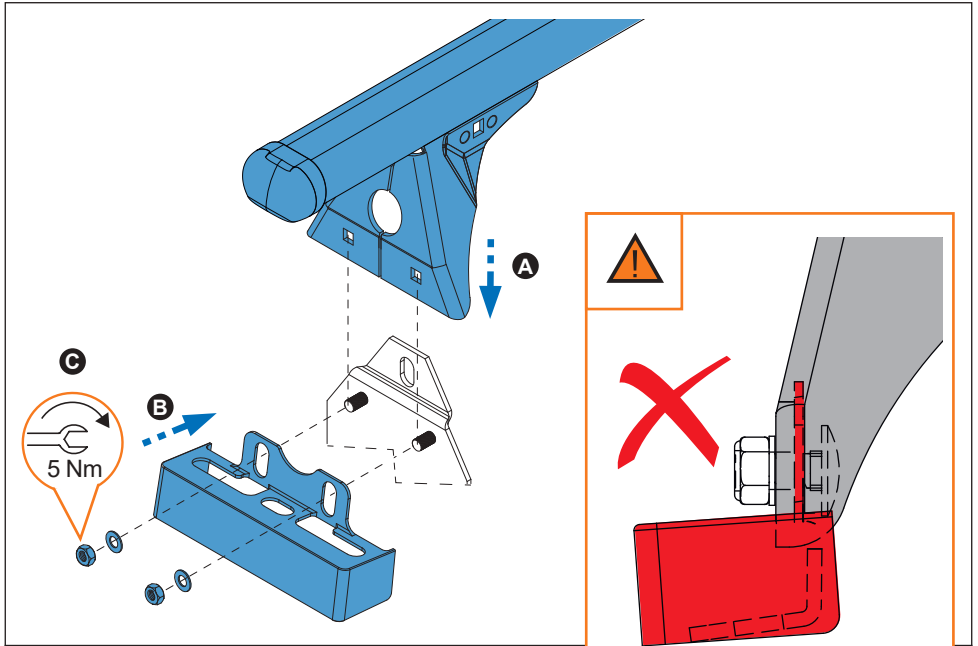
6. 



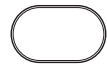
50x30 mm



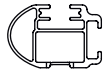
52x35 mm
Aluminium



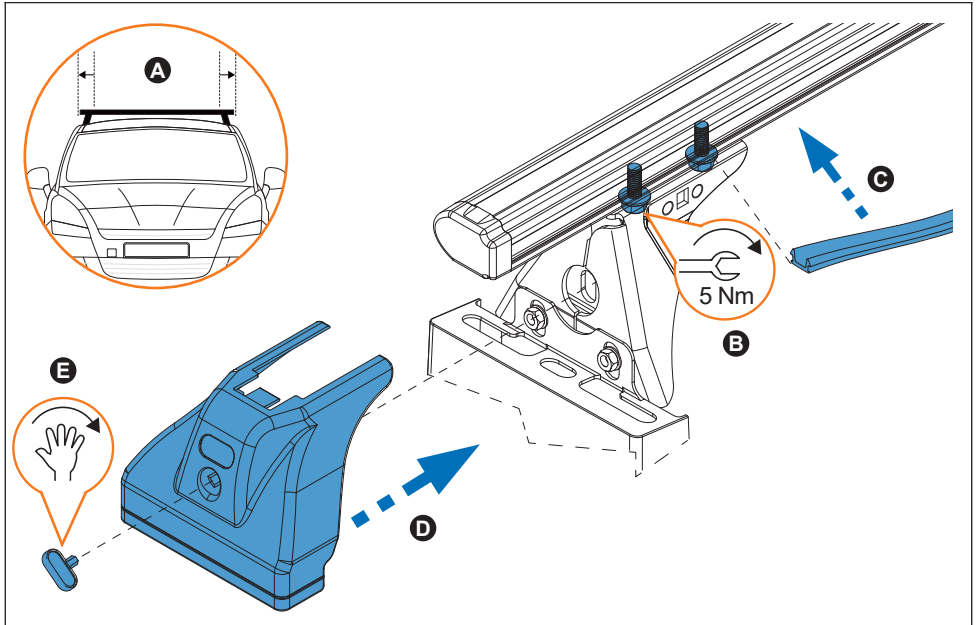
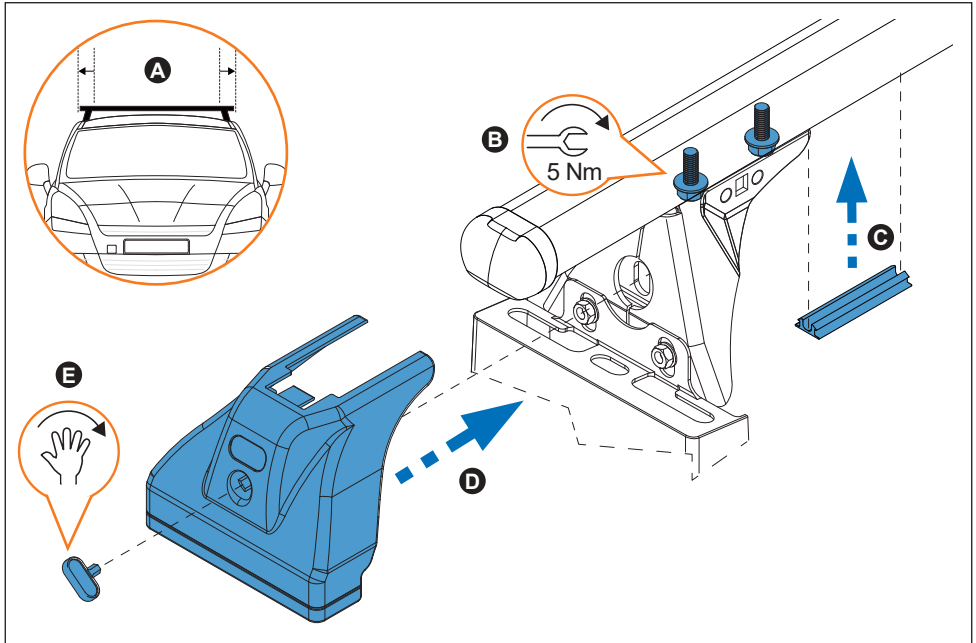
7. 



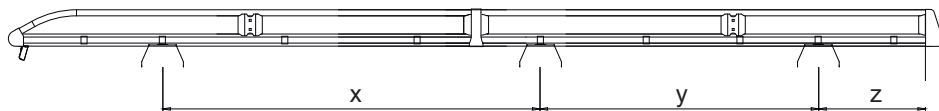
50x30 mm



52x35 mm
Aluminium



8.

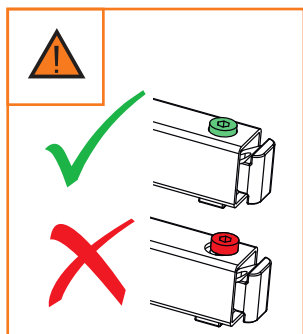
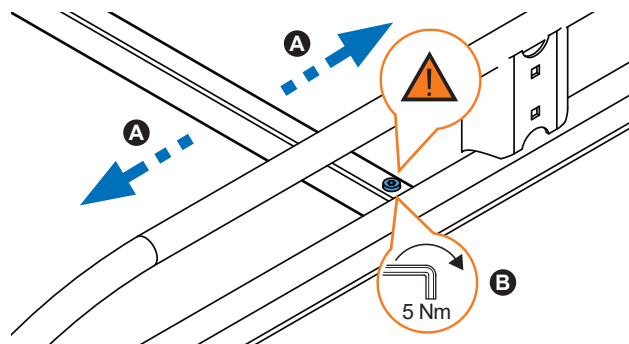
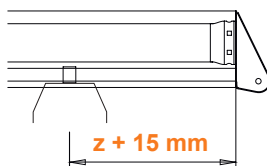


	x (mm)	y (mm)	z (mm)
JUMPER / DUCATO / BOXER L1 H1 (II)	1245	920	355
JUMPER / DUCATO / BOXER L1 H2 (II)	1235	920	
JUMPER / DUCATO / BOXER L2 H1 (II)	1410	1143	215
JUMPER / DUCATO / BOXER L2 H2 (II)	1410	1100	
JUMPER / DUCATO / BOXER L1 H1 (III)	1245	920	355
JUMPER / DUCATO / BOXER L1 H2 (III)	1245	920	355
DAILY L1H1 (III V.C.)	754	932	445
DAILY L1H1 (III V.L.)	950	932	
DAILY L1H2 (III V.C.)	730	930	185
DAILY L2H2 (III)	1080	935	185
DAILY L1H2 (III V.L.)	735	932	685

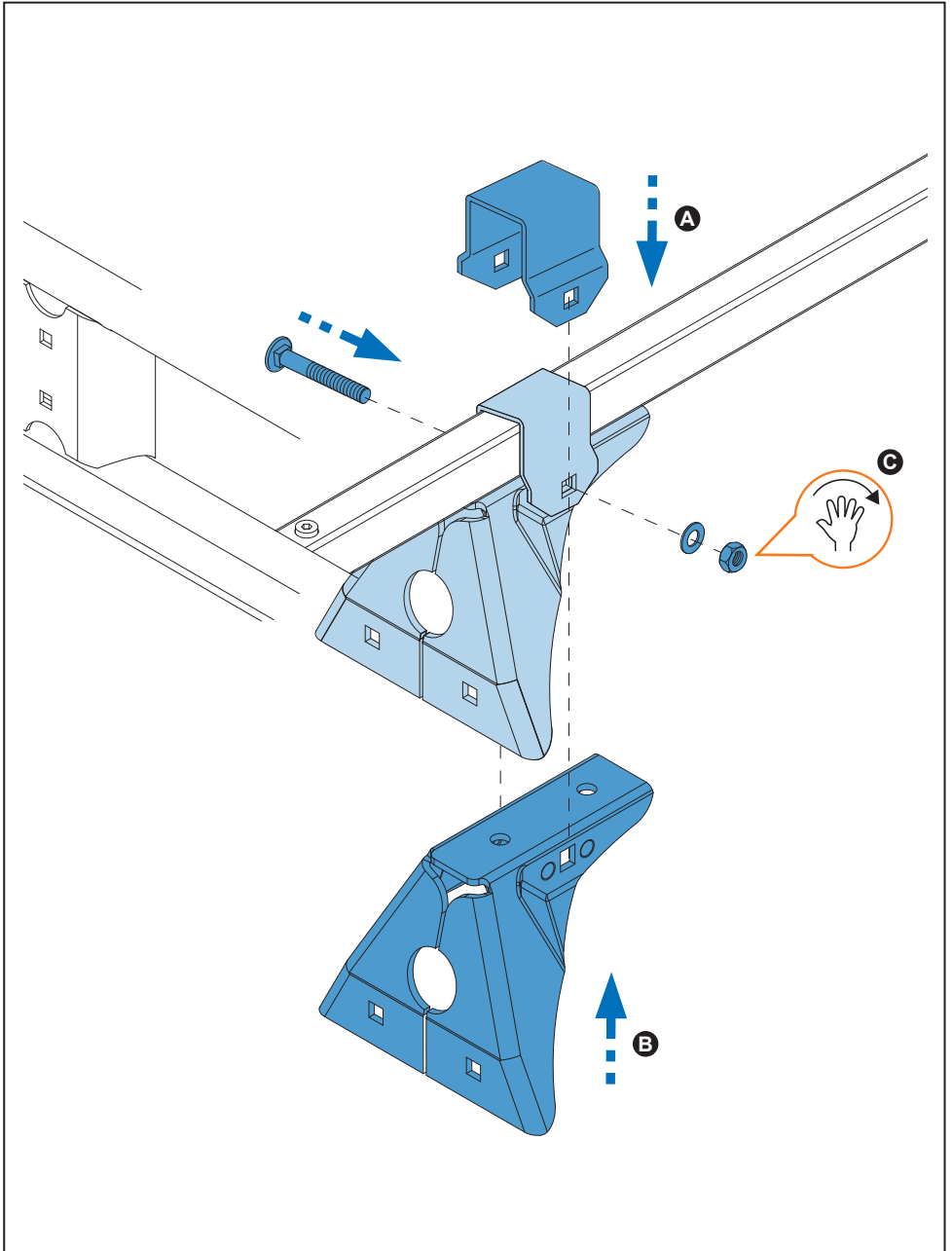


**OPTIONAL
OPCIONAL**

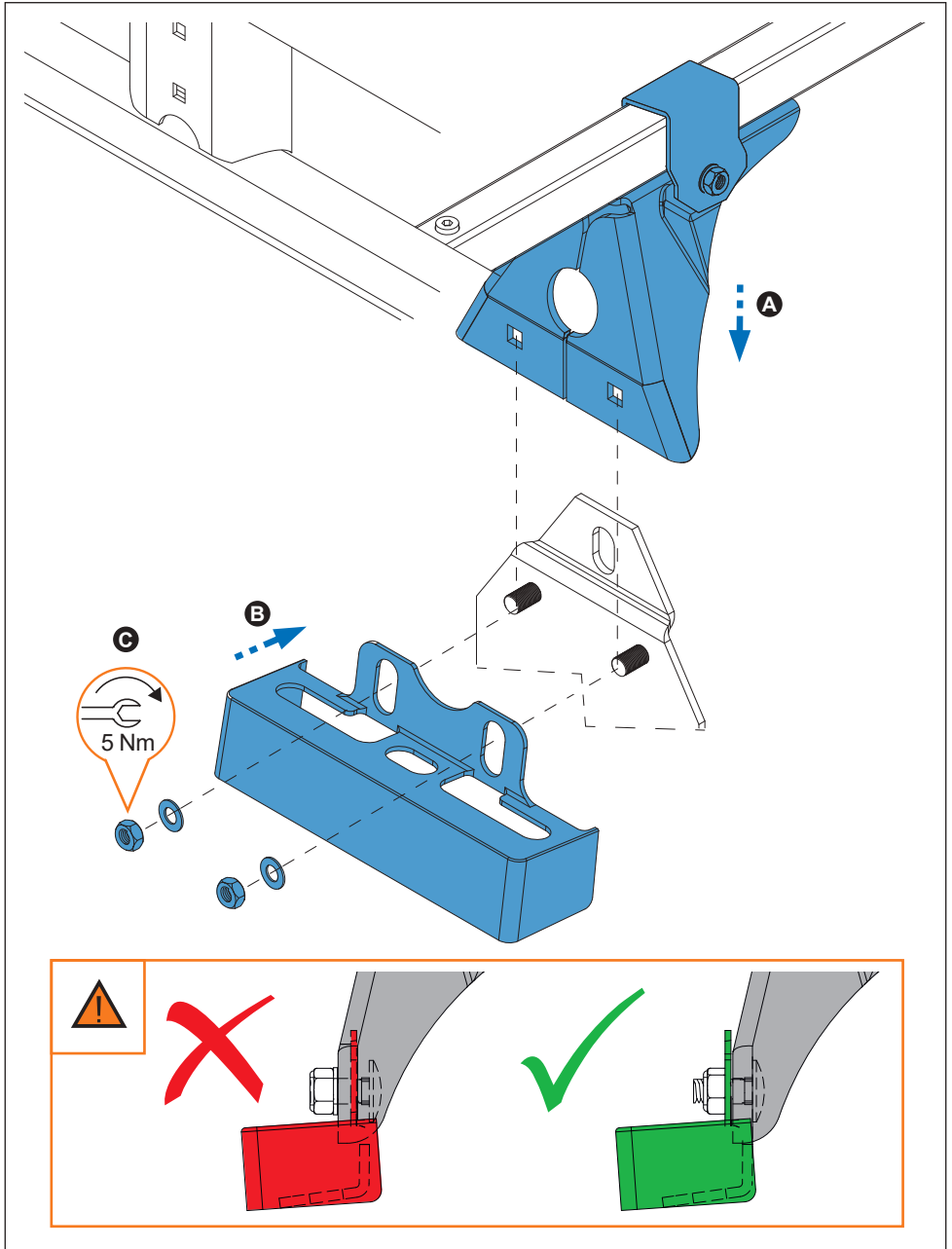
941-109



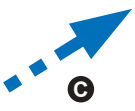
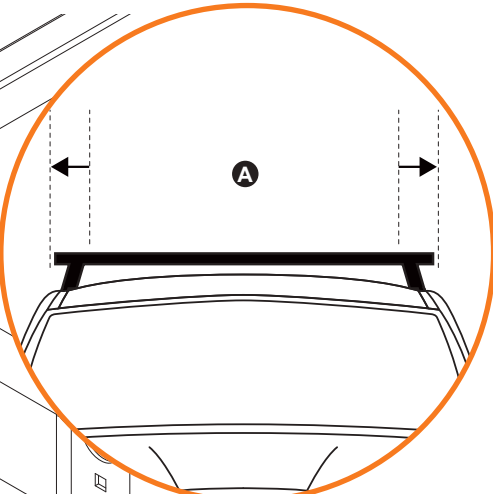
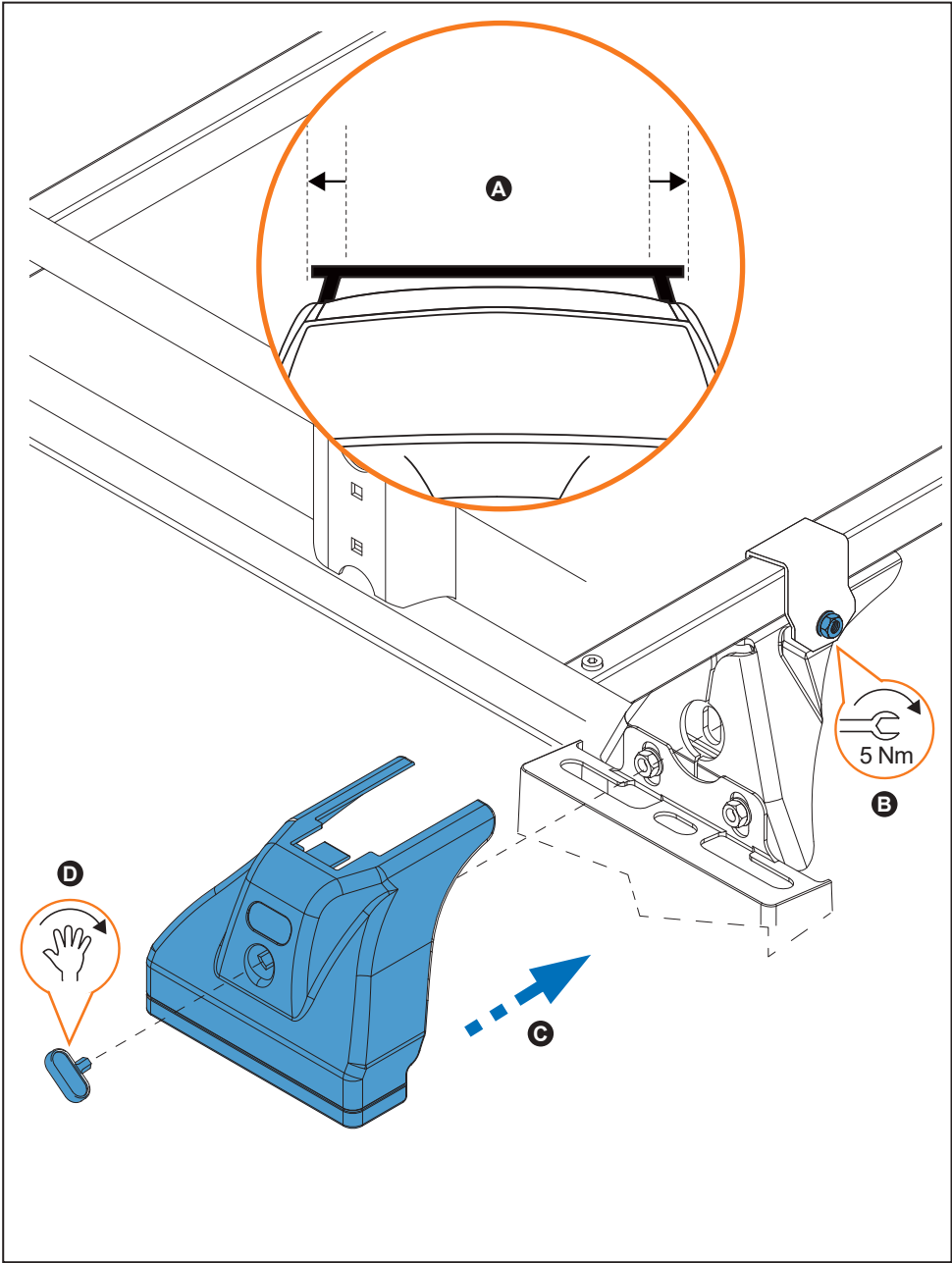
9. 



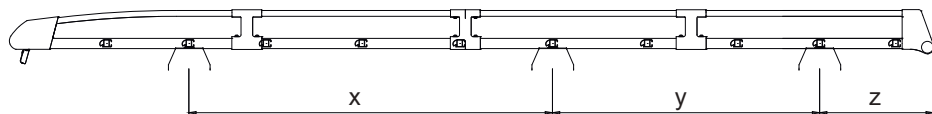
10.



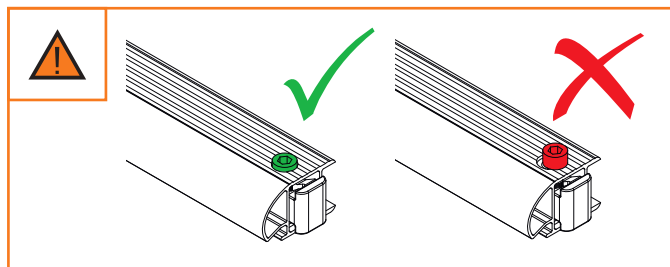
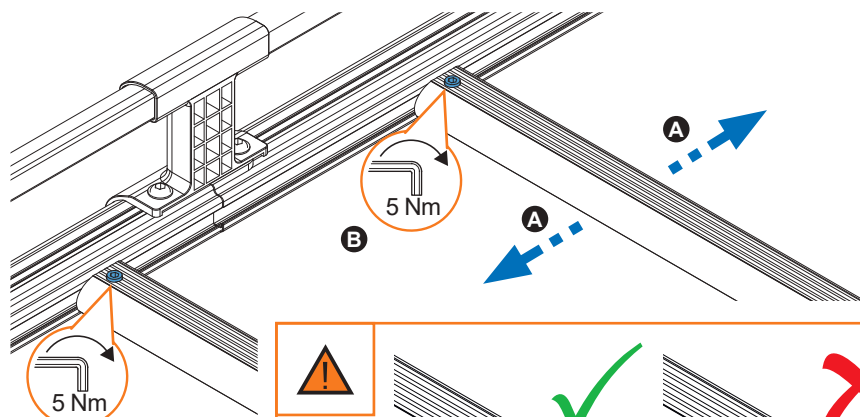
11.



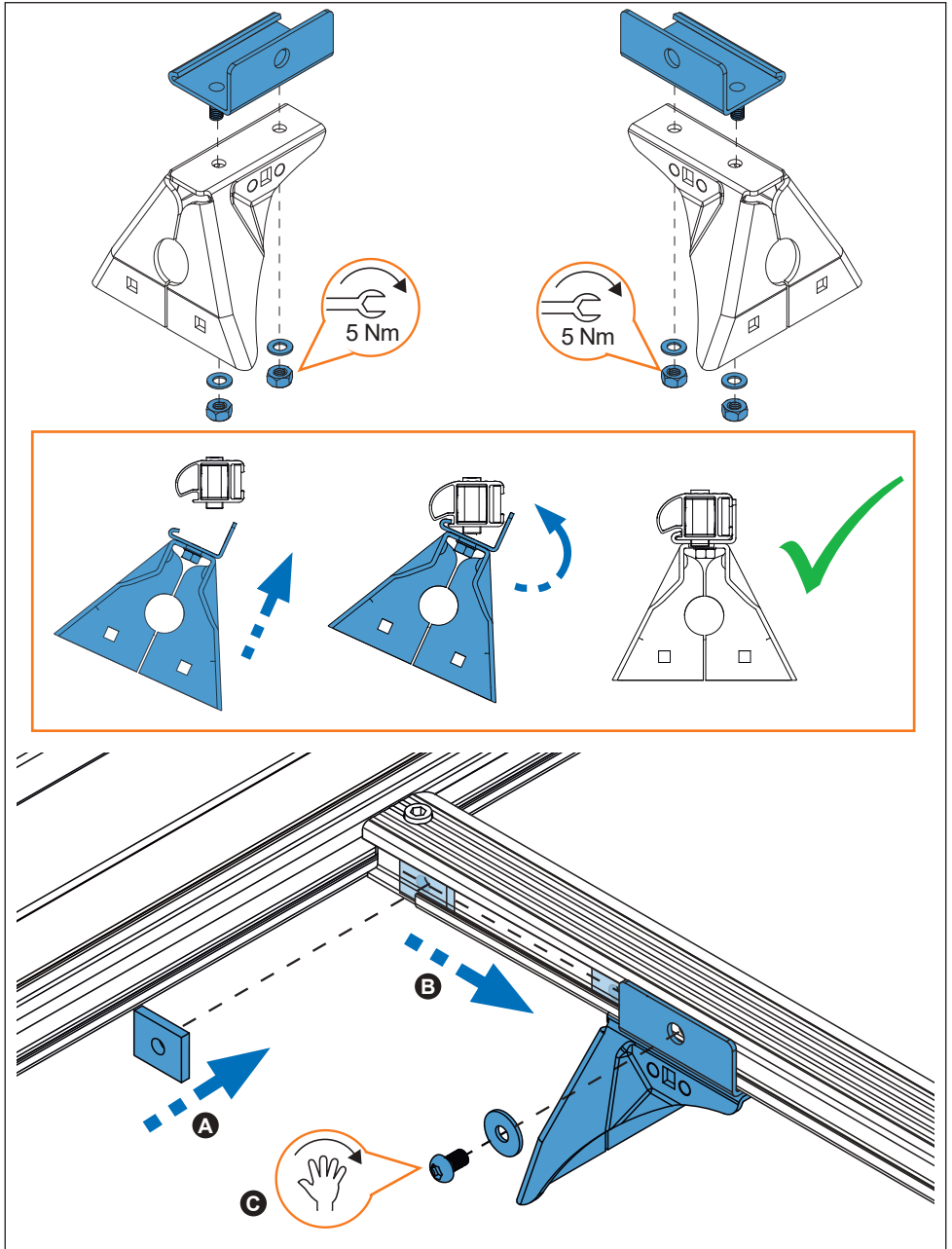
12.



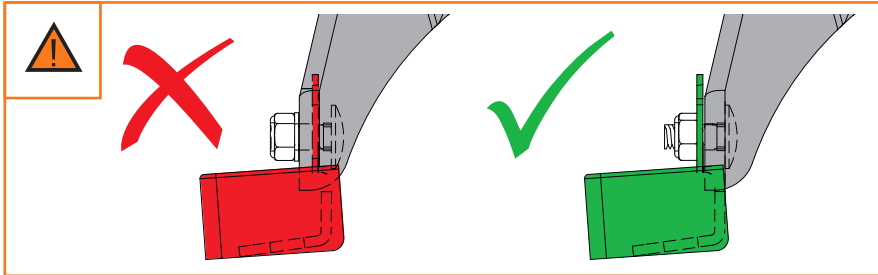
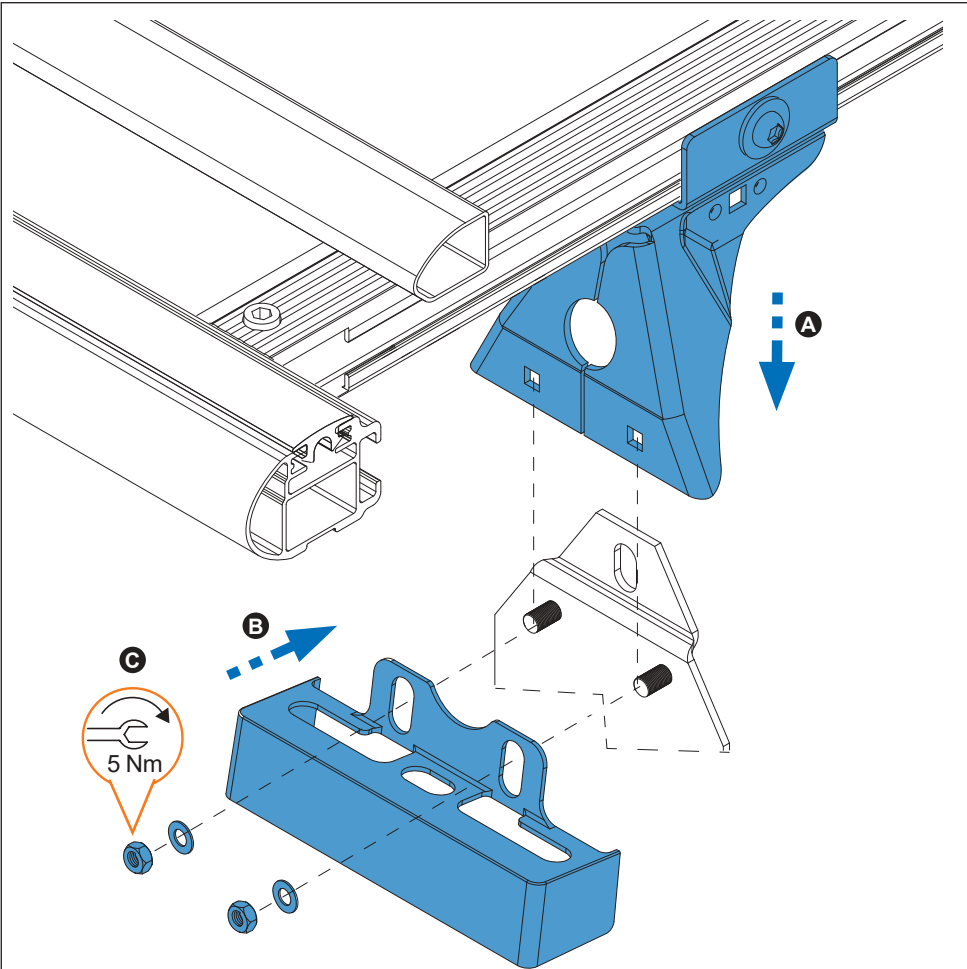
	x (mm)	y (mm)	z (mm)
JUMPER / DUCATO / BOXER L1 H1 (II)	1245	920	370
JUMPER / DUCATO / BOXER L1 H2 (II)	1235	920	
JUMPER / DUCATO / BOXER L2 H1 (II)	1410	1143	230
JUMPER / DUCATO / BOXER L2 H2 (II)	1410	1100	
JUMPER / DUCATO / BOXER L1 H1 (III)	1245	920	370
JUMPER / DUCATO / BOXER L1 H2 (III)	1245	920	370
DAILY L1H1 (III V.C.)	754	932	460
DAILY L1H1 (III V.L.)	950	932	
DAILY L1H2 (III V.C.)	730	930	200
DAILY L2H2 (III)	1080	935	220
DAILY L1H2 (III V.L.)	735	932	700



13.



14.



15.

