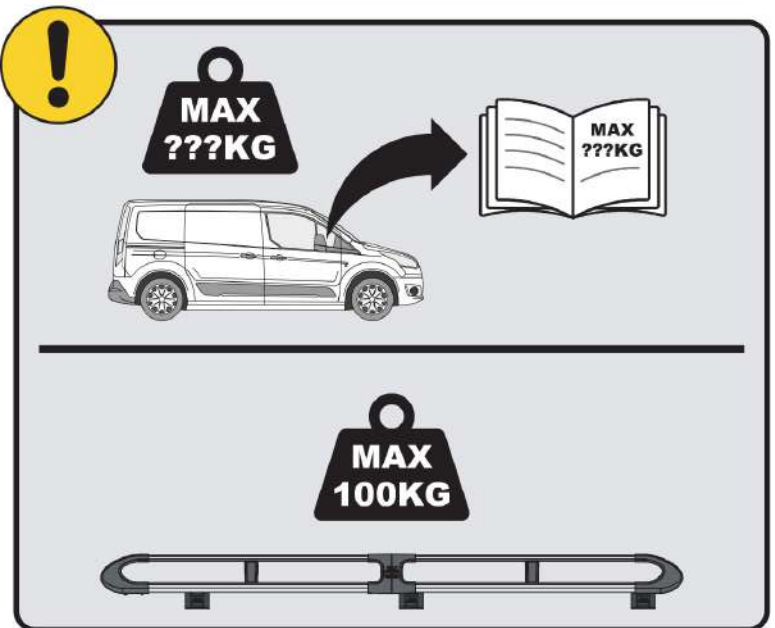
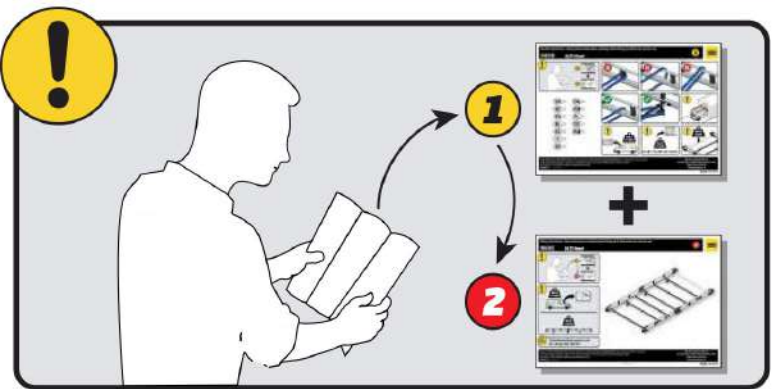


IN8326 **ULTI Rack+**



 **Customercare@van-guard.co.uk**
UK +44 (0) 1392 368 351

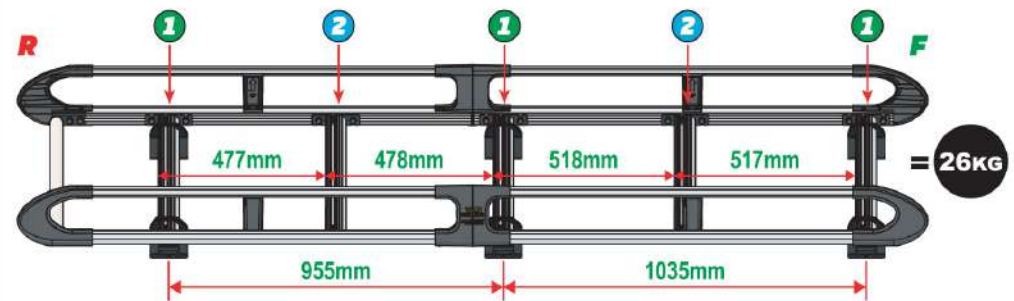
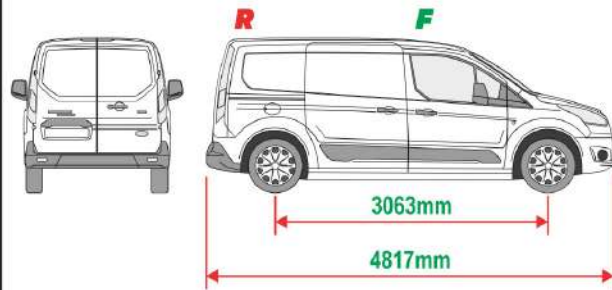


This FITTING INSTRUCTION is the property of VAN GUARD ACCESSORIES LTD. and must not be used for manufacturing purposes, copied nor communicated in any way to third parties without written permission from VAN GUARD ACCESSORIES LTD.
IN8326_A (CN:NR)

Van Guard Accessories Ltd
Fair Oak Close, Exeter Airport Business Park,
Exeter, Devon, EX5 2UL
www.van-guard.co.uk

VGUR-255

Ford Transit Connect: 2014 on
L2H1 (LWB)
Twin Rear Doors



TOOLS REQUIRED

10MM X2



13MM X1



AS3535 X2
(2400 / A)



MA6118 X10



FX4241 X24



ME1622 X2



AS3534 X2
(2400 / B)



FX4008 X1



MA6145 X1



ME1623 X2



ME1626 X5
(1264mm)



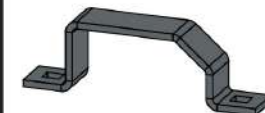
FX4001 X2
(M8X40)



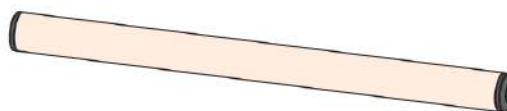
FX4235 X20
(M5X25)



ME0203 X6



AS3158 X1
(1250mm)



MA6007 X4



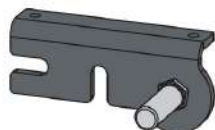
FX4248 X1
(T25)



MA6065 X6



AS3590 X1



MA6093 X10



FX4239 X24
(M8X20)



ME1620 X3



FX4016 X16
(M6)



AS3591 X1



ME0316 X10



FX4240 X24
(M8)



ME1621 X3



FX4042 X12
(M6X16)



ME0779 X1



AS3150 X1



MA6018 X6



ME0780 X1



FX4010 X2

(M6)



ME0783 X2



FX4013 X6

(M6)



ME0784 X1



FX4014 X6



ME0785 X1



FX4015 X6

(M6X30)



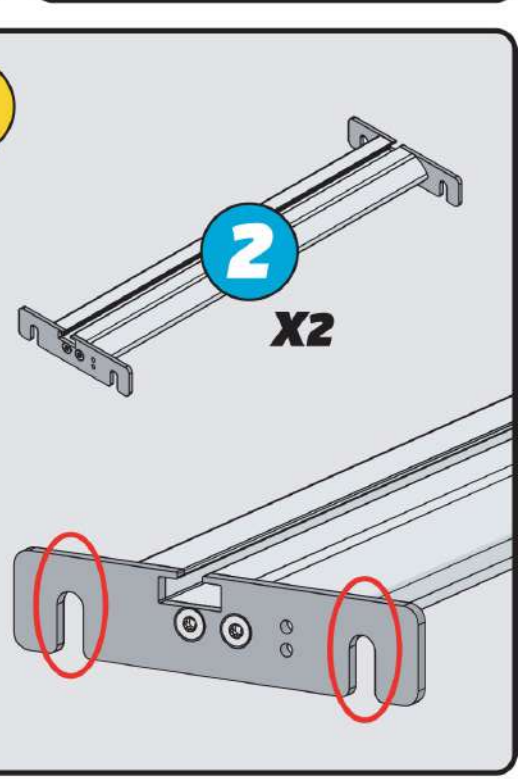
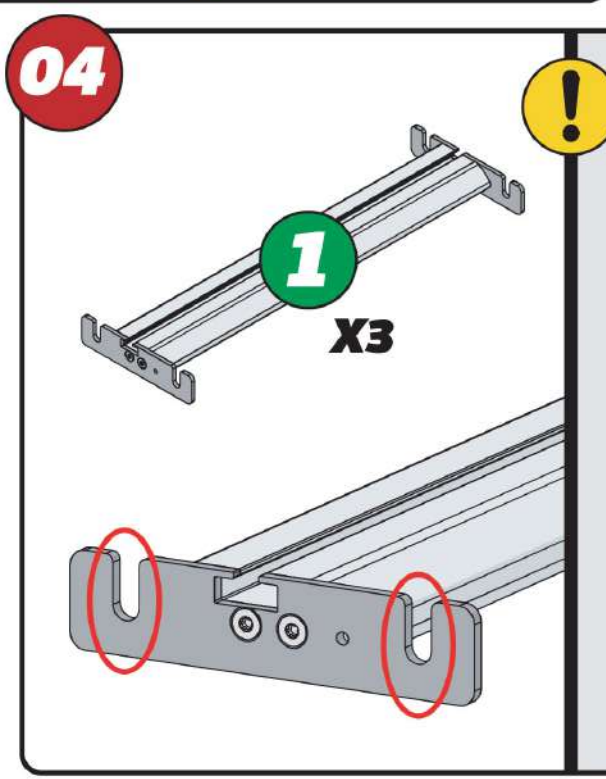
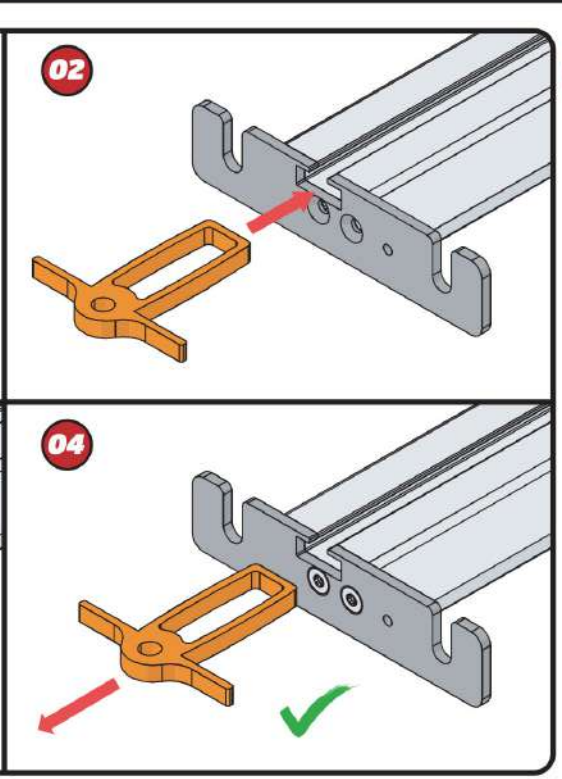
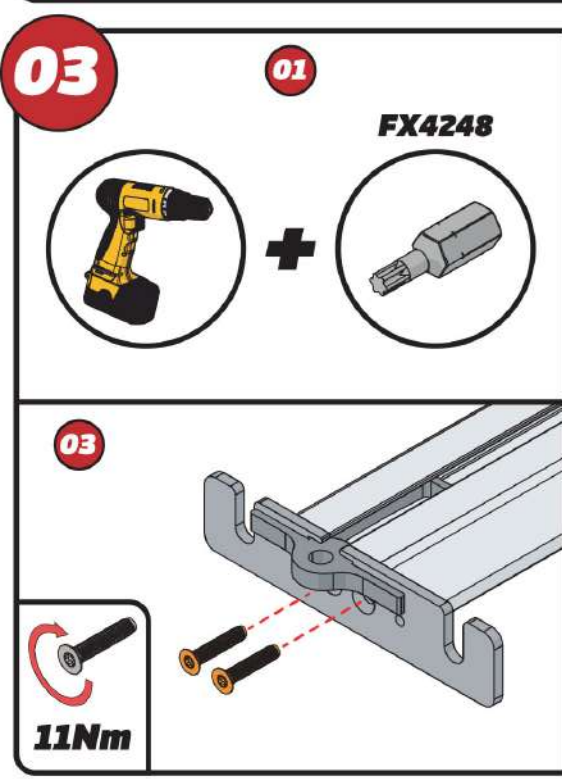
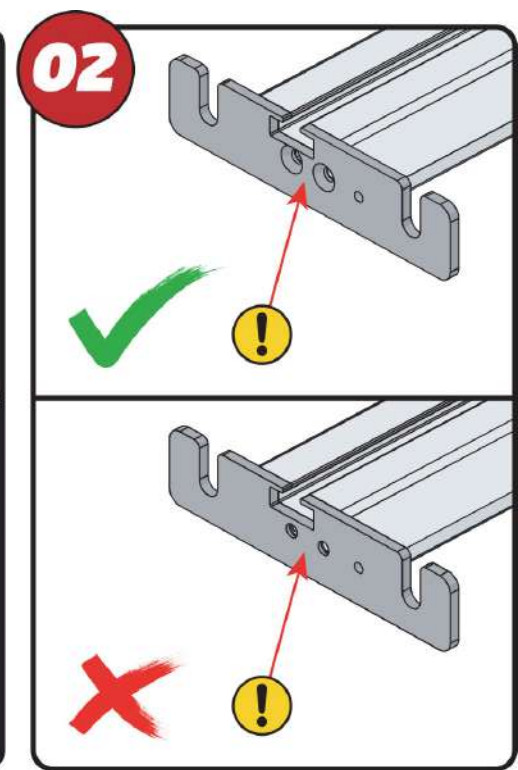
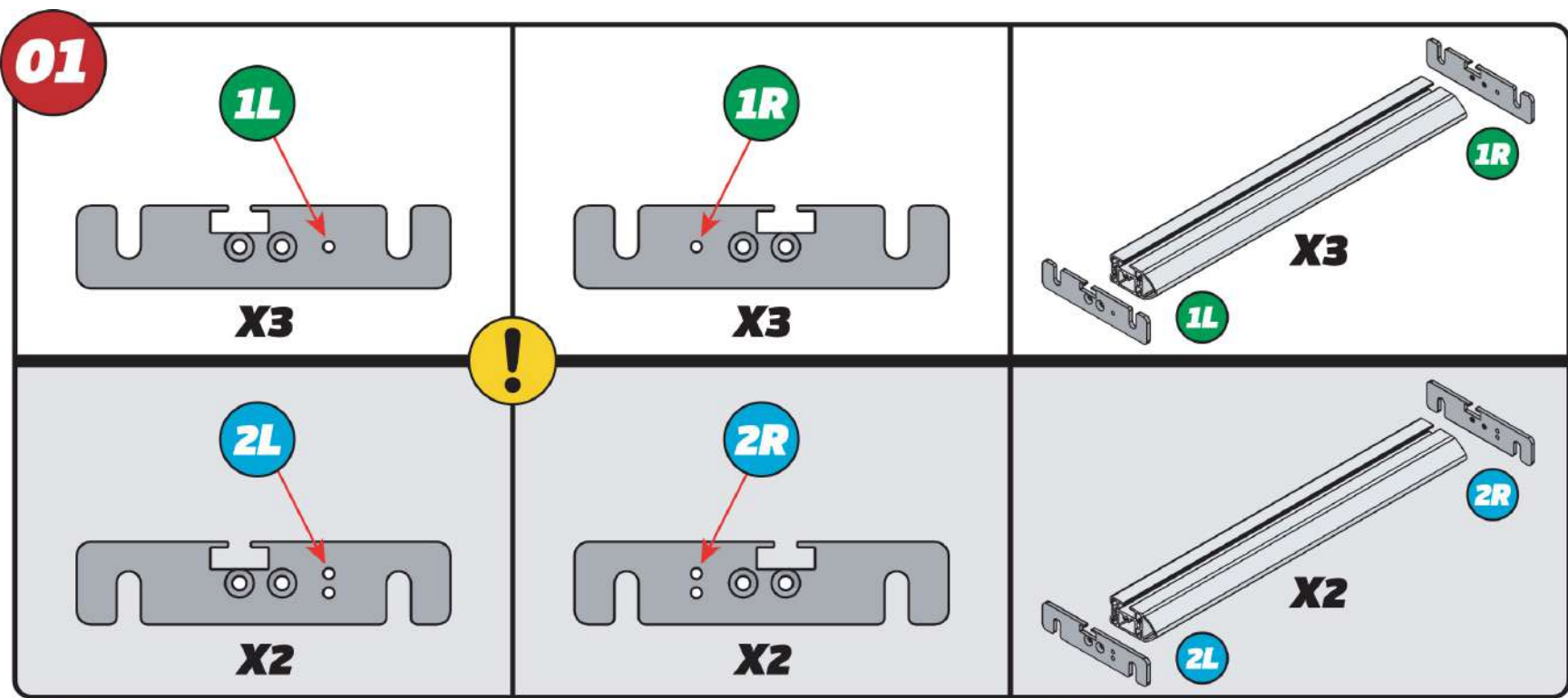
AS3149 X1

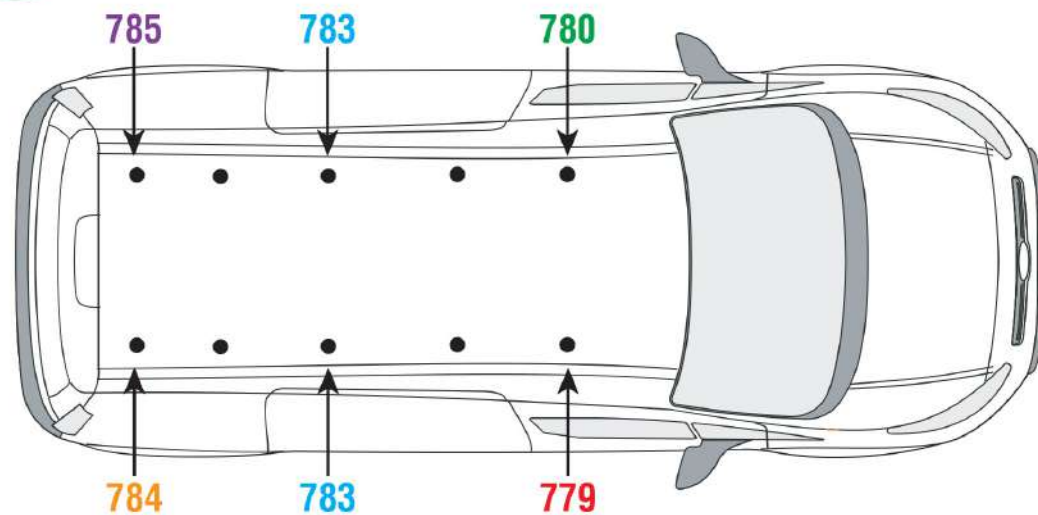
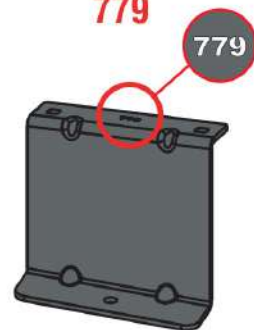
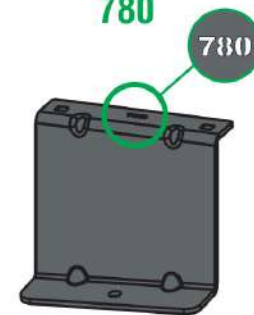
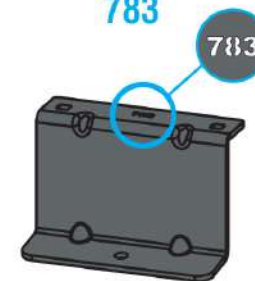
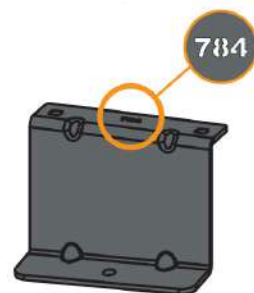
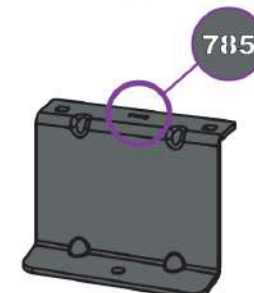
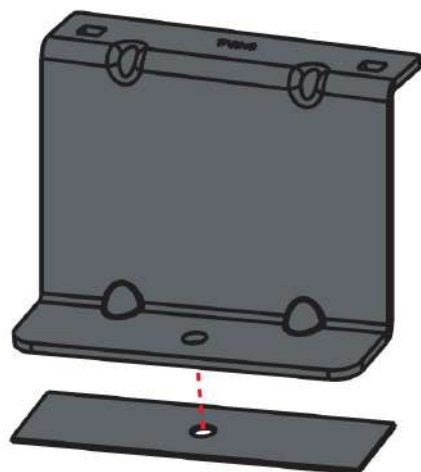
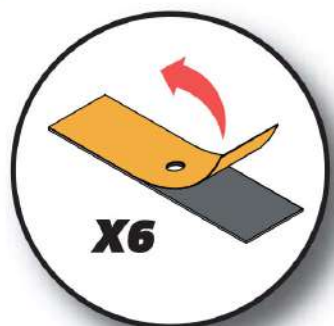
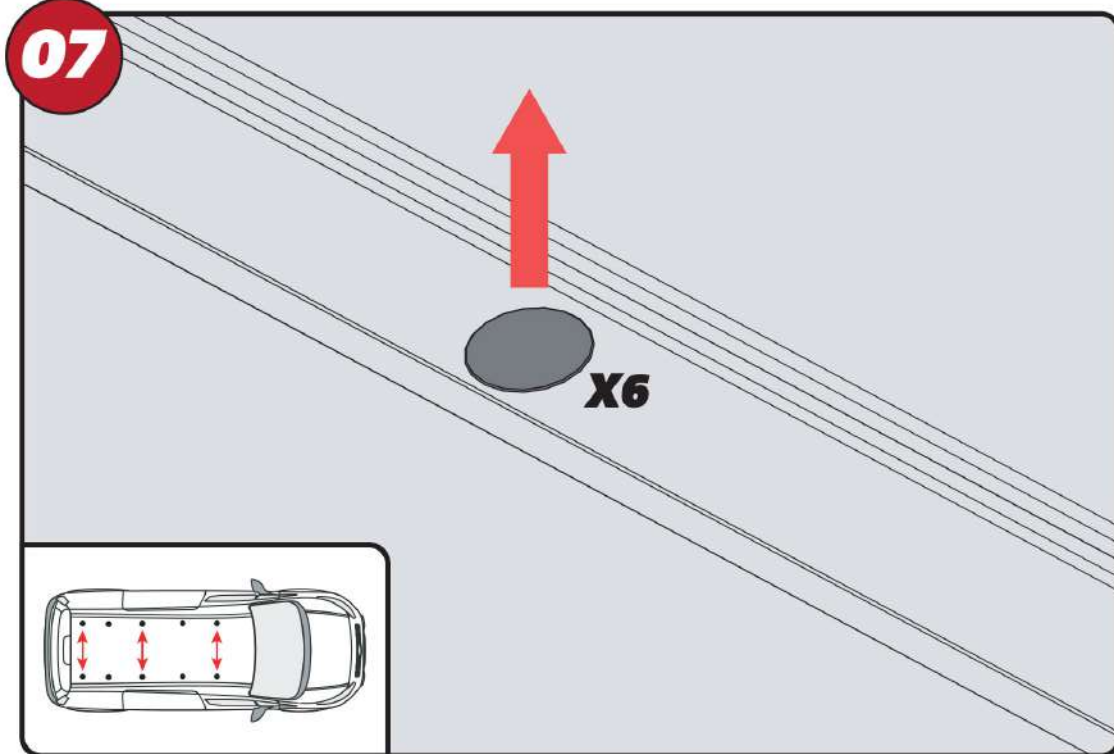


FX4037 X4

(M6)

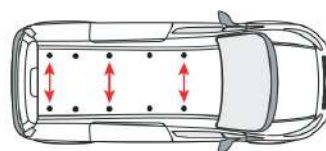


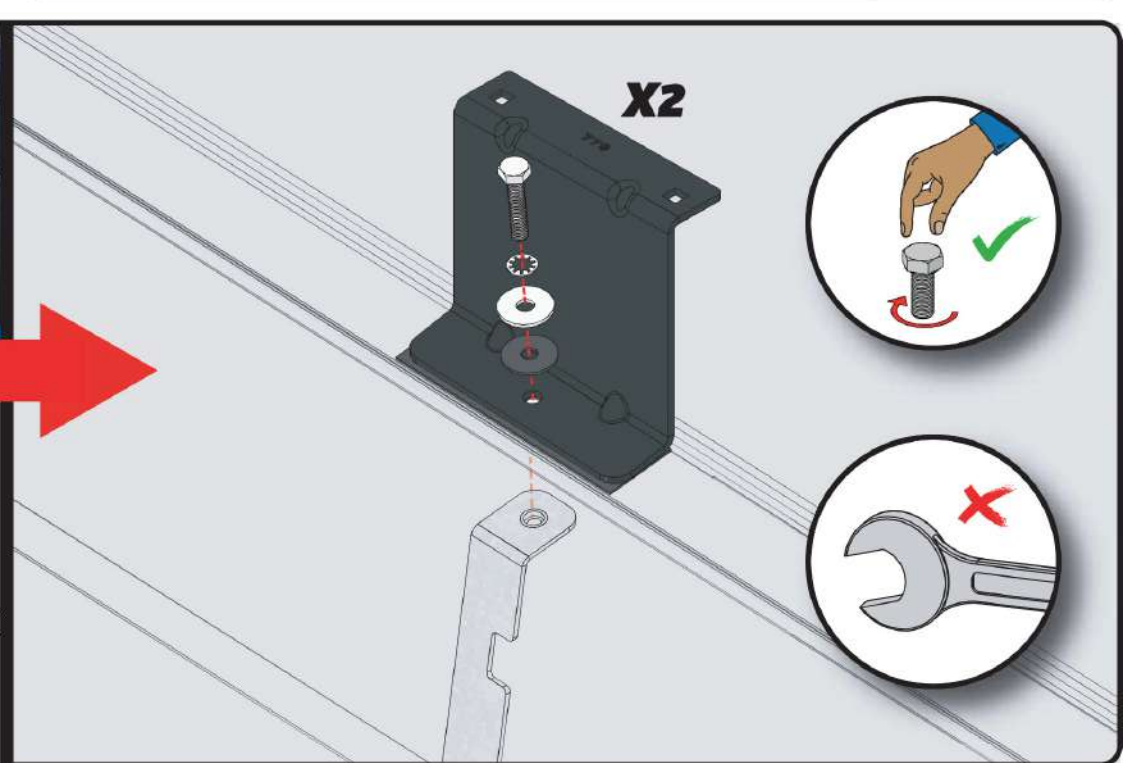
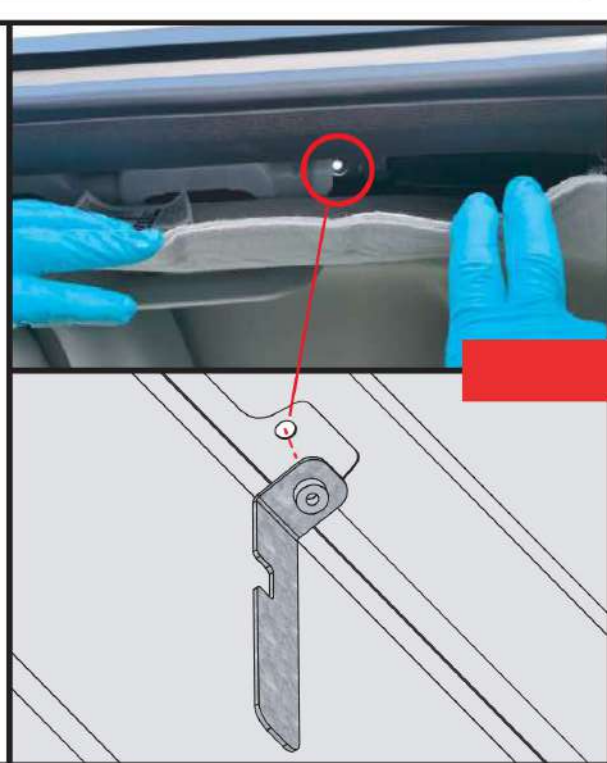
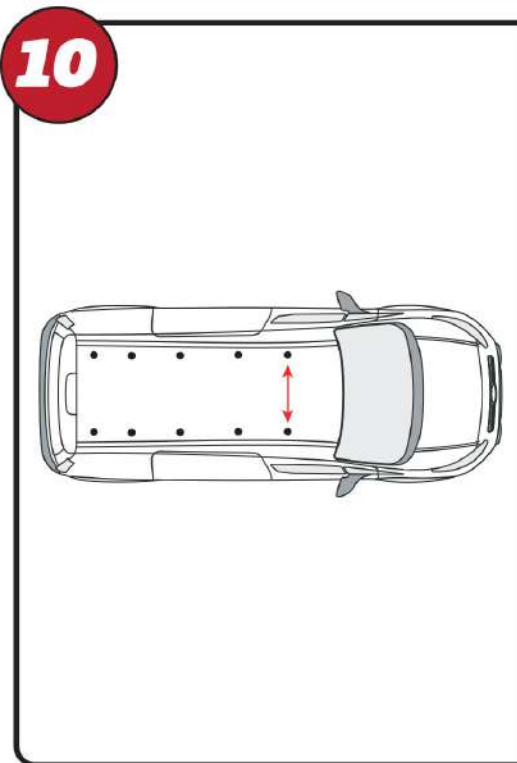
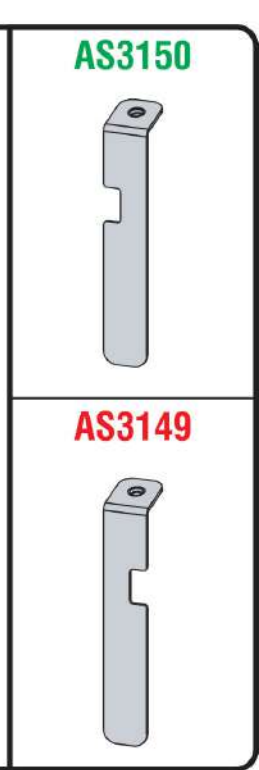
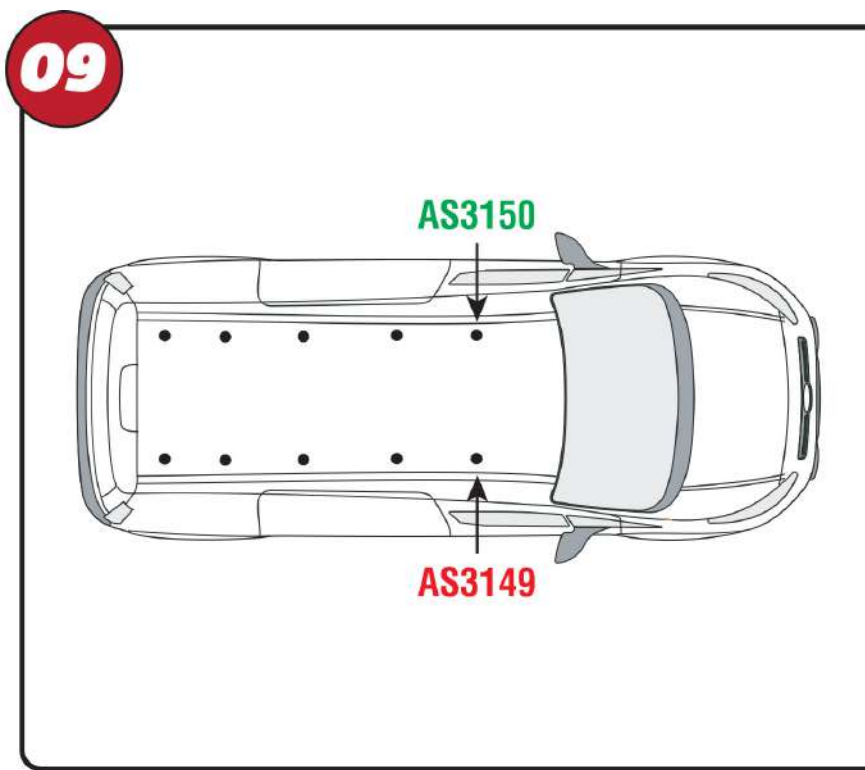
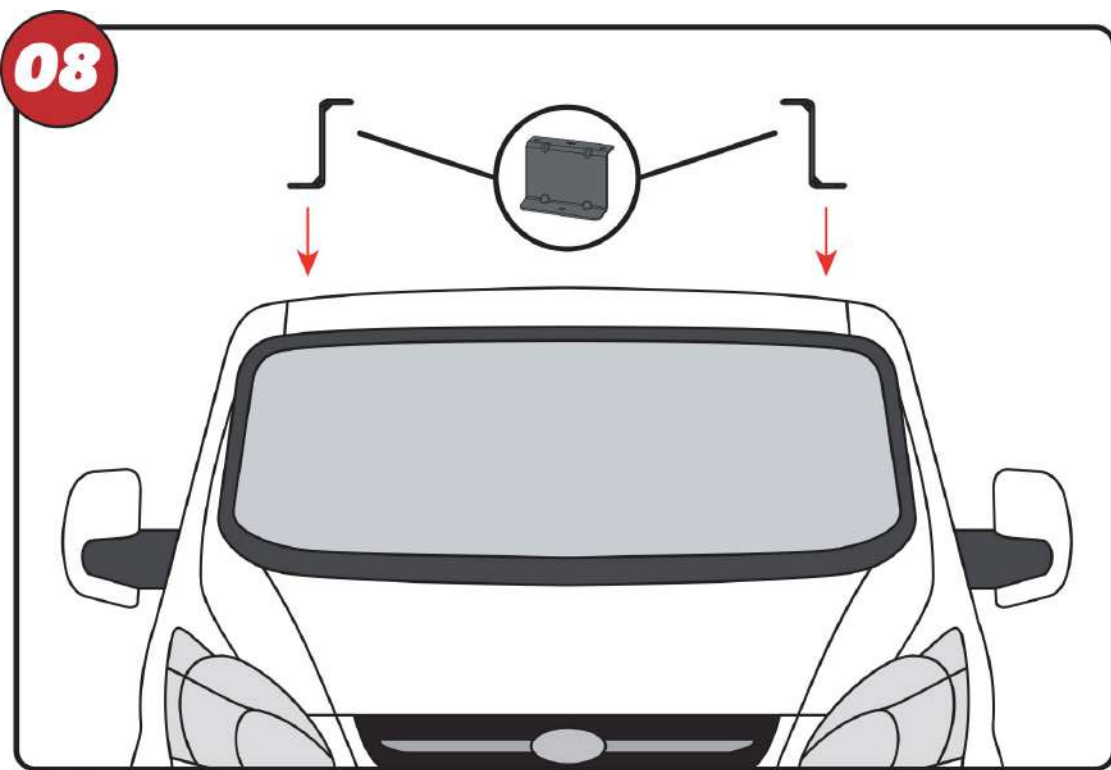


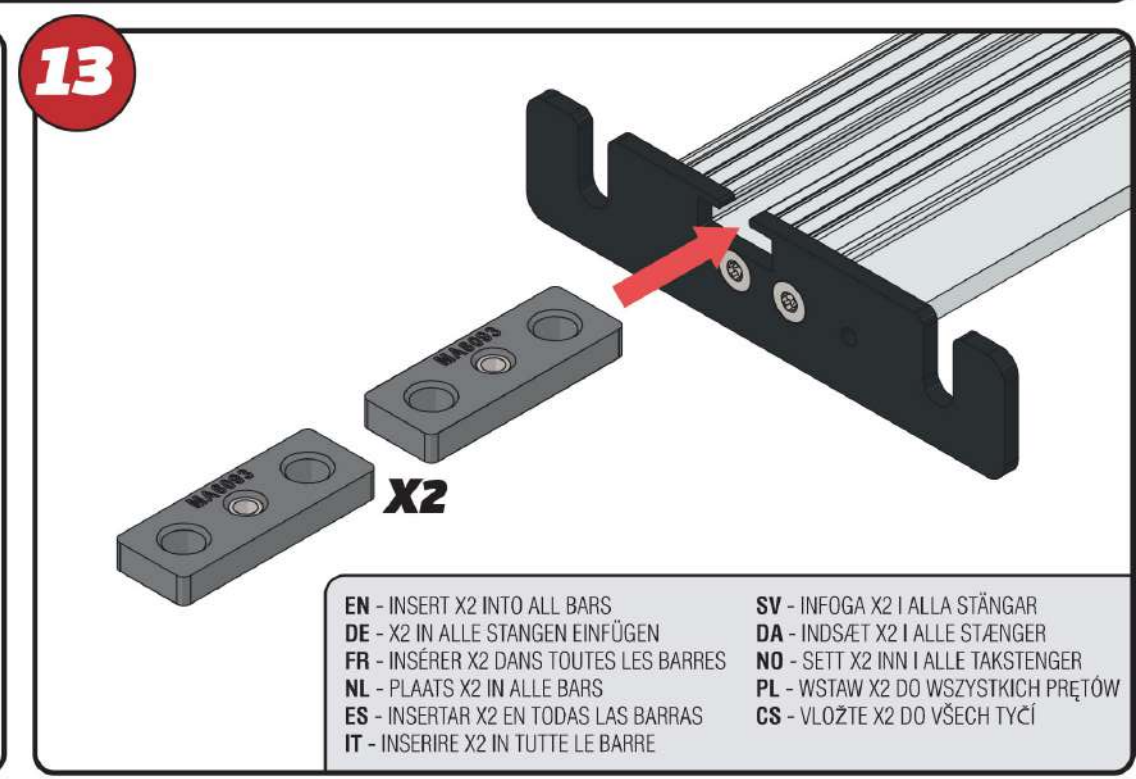
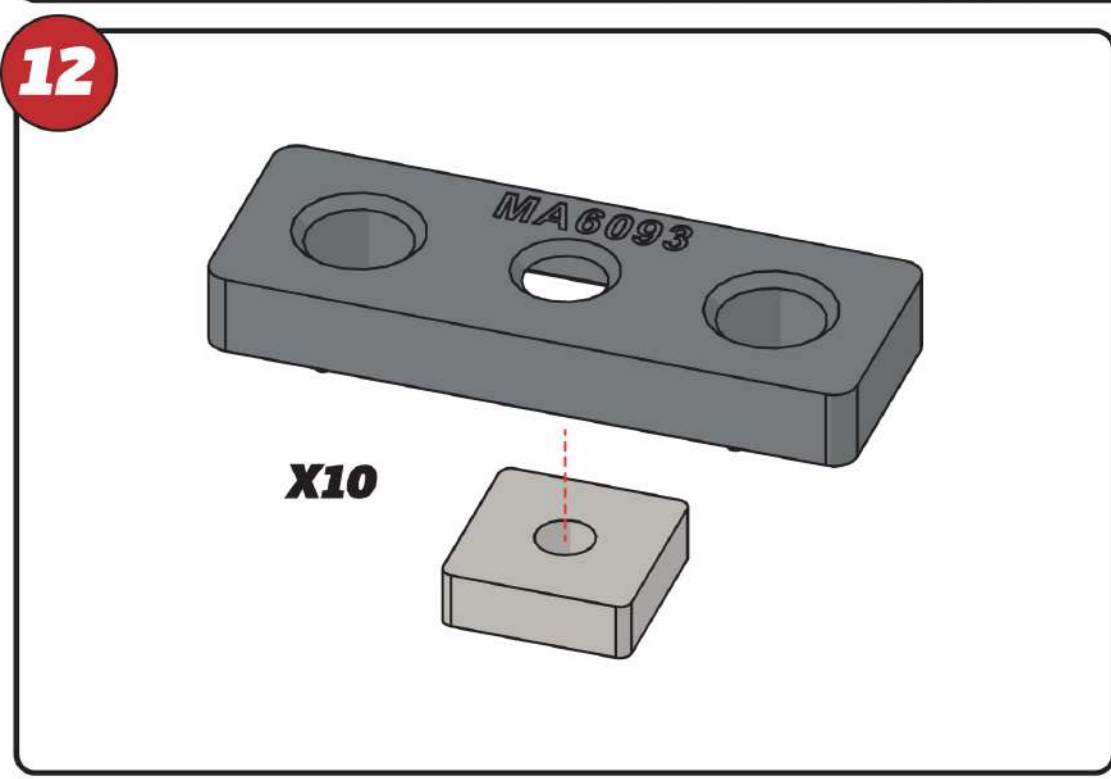
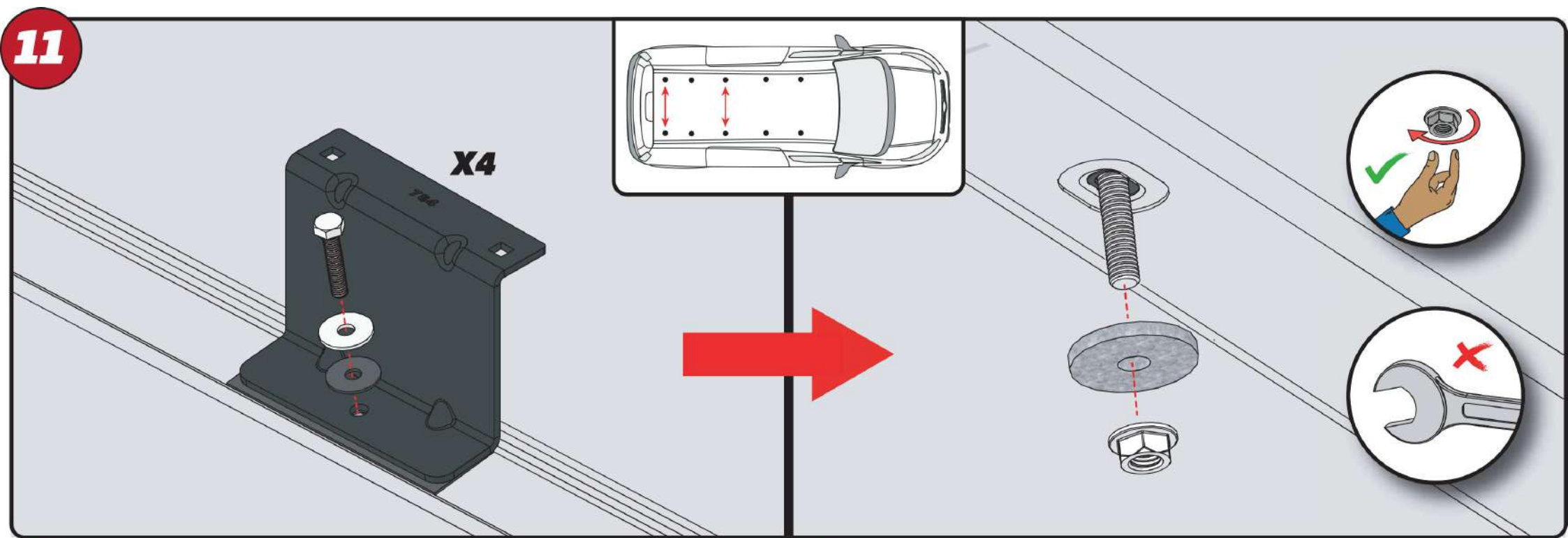
05**779****780****783****784****785****06****07**

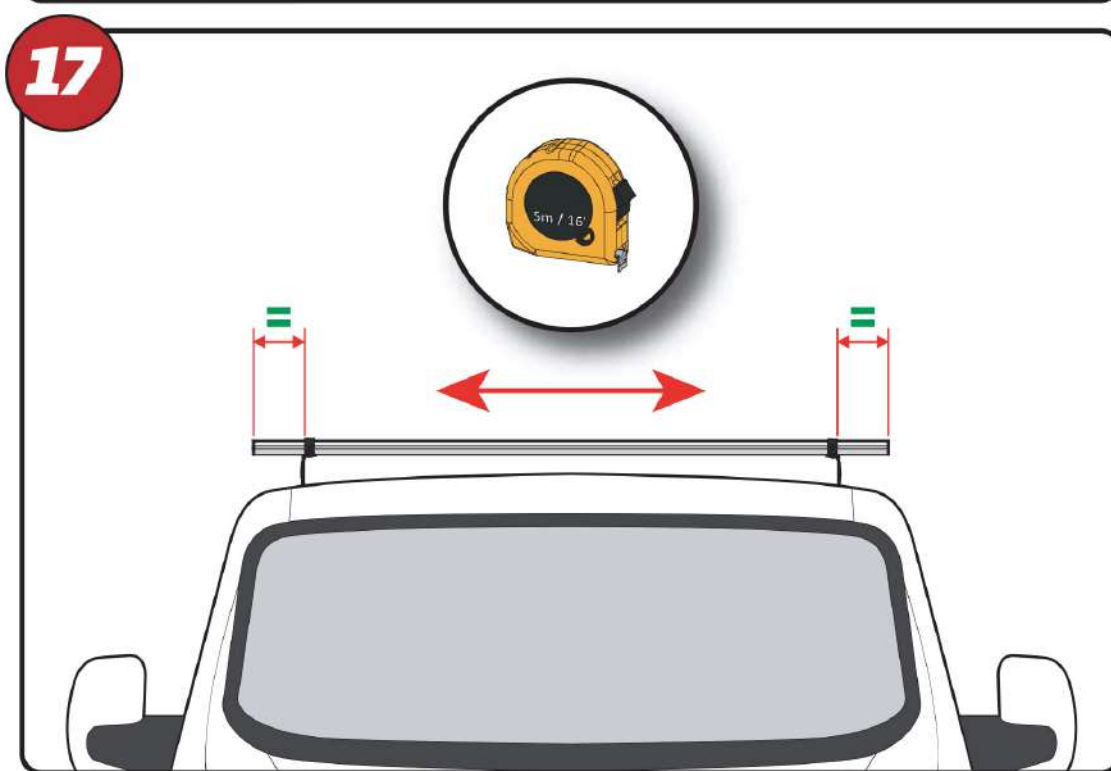
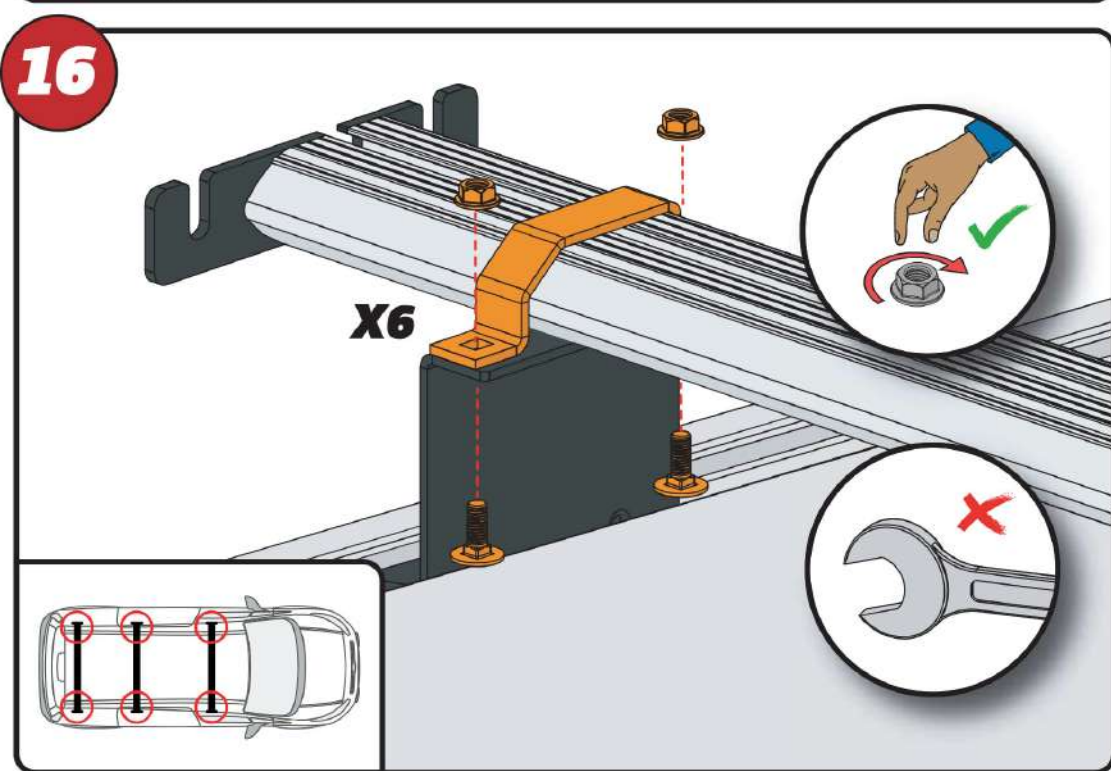
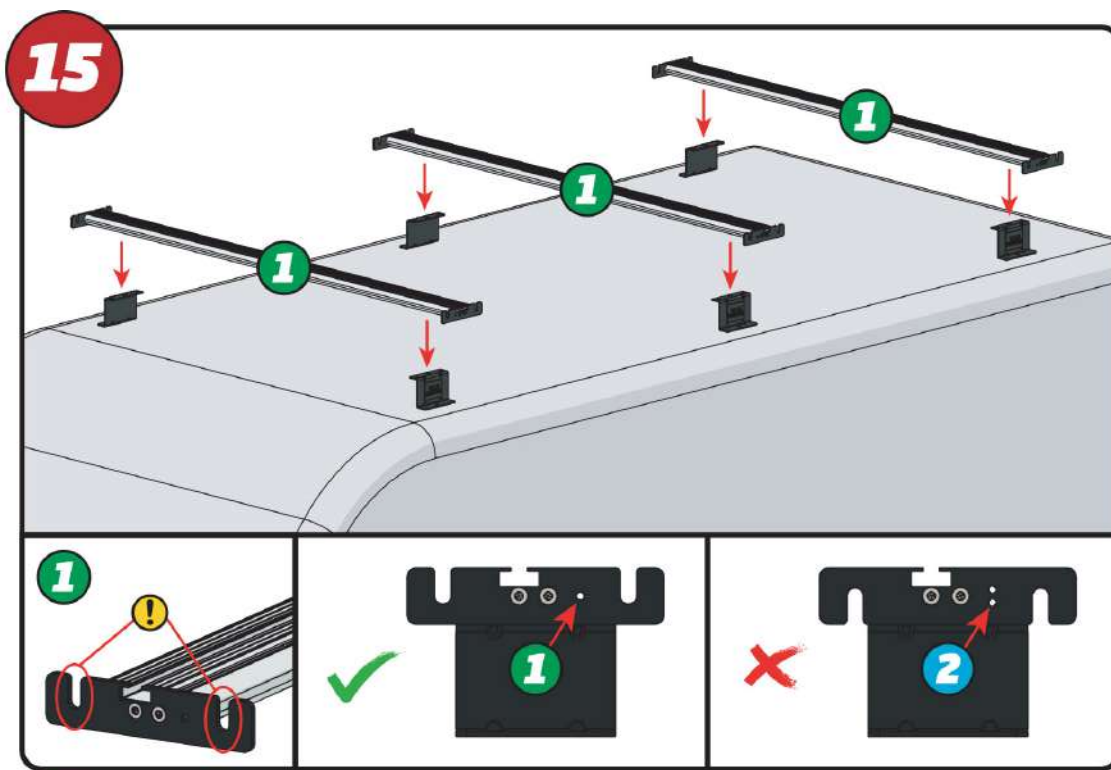
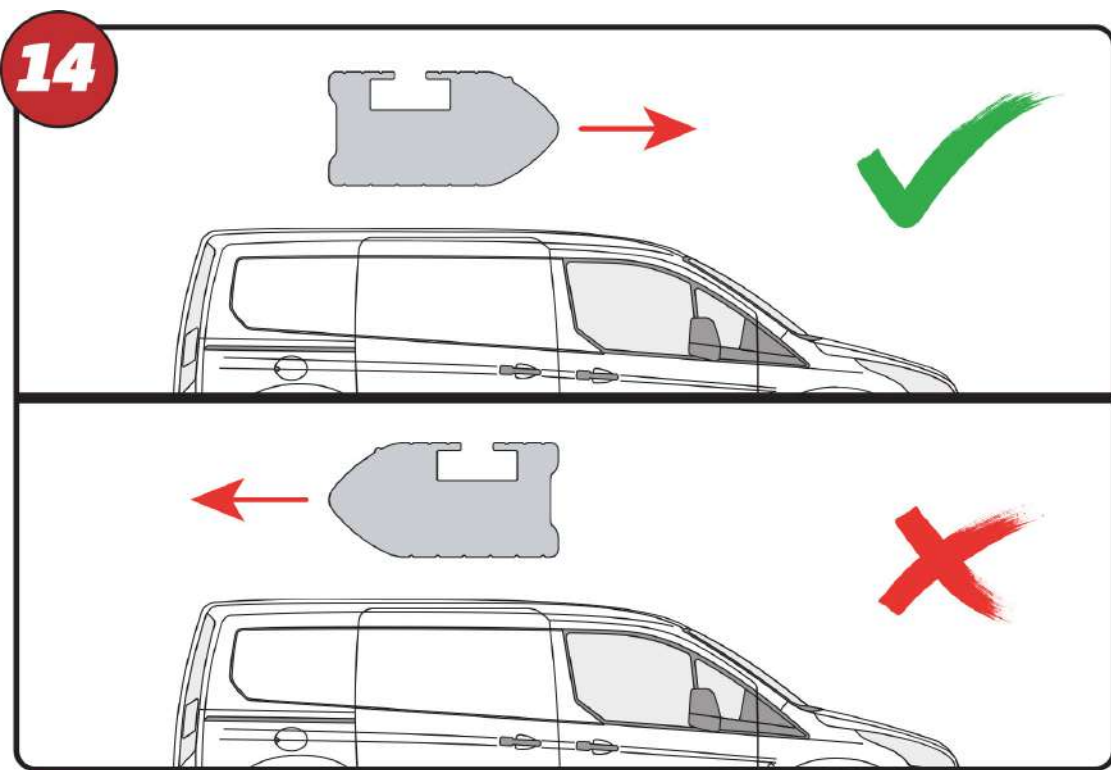
EN - STICK GASKETS TO ALL BRACKETS
 DE - KLEBEN SIE DIE DICHTUNG AN ALLEN HALTERUNGEN
 FR - COUSSINETS ADHÉSIFS À TOUTS LES SUPPORTS
 NL - PLAK PAKKING OP ALLE BEUGELS
 ES - PEGA LAS ALMOHADILLAS A TODOS LOS SOPORTES
 IT - ADESIVI GUARNIZIONI A TUTTE LE STAFFE

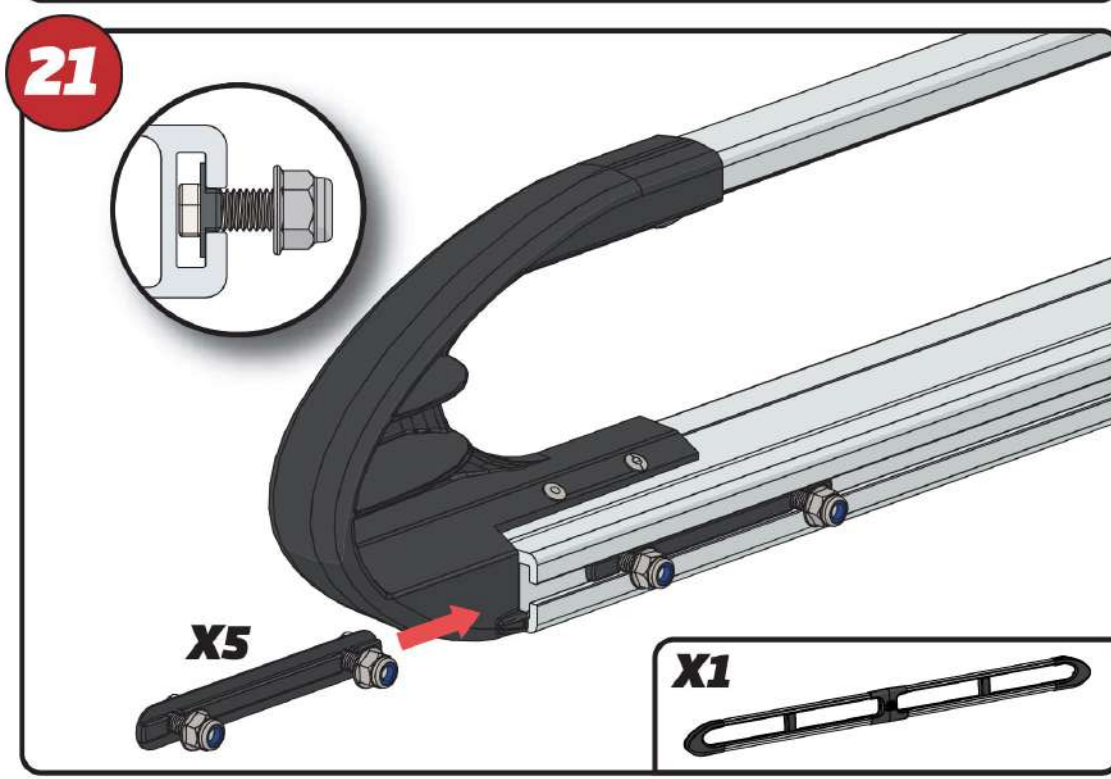
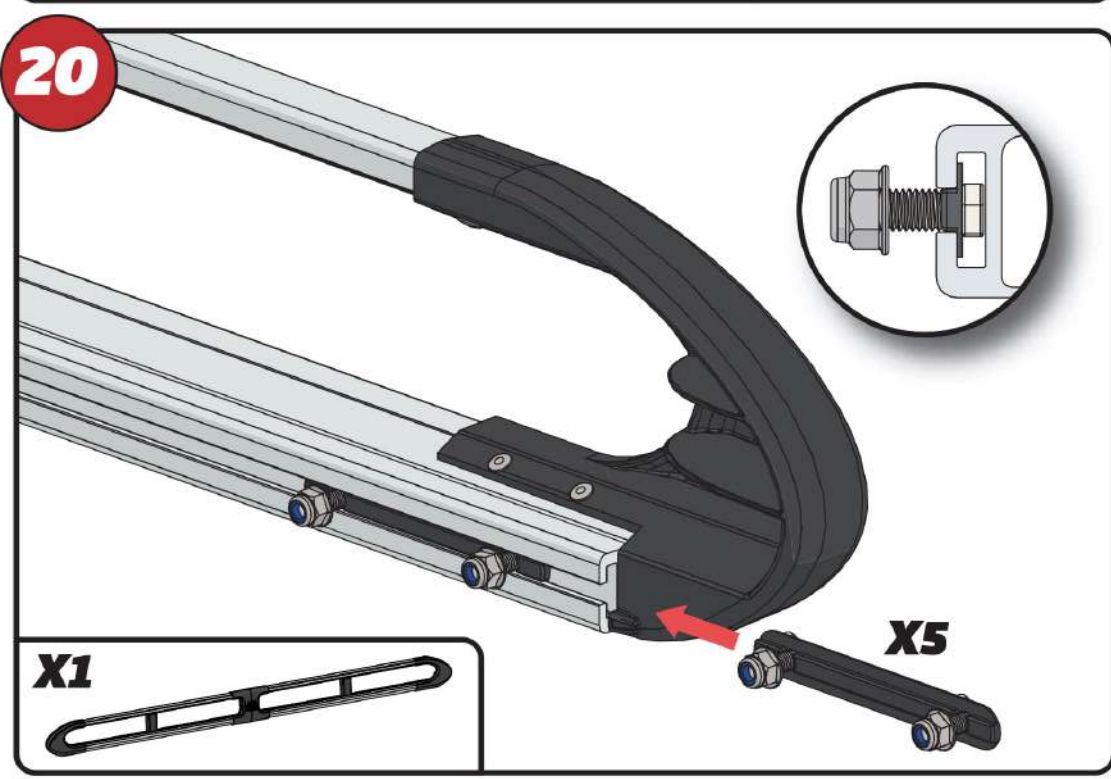
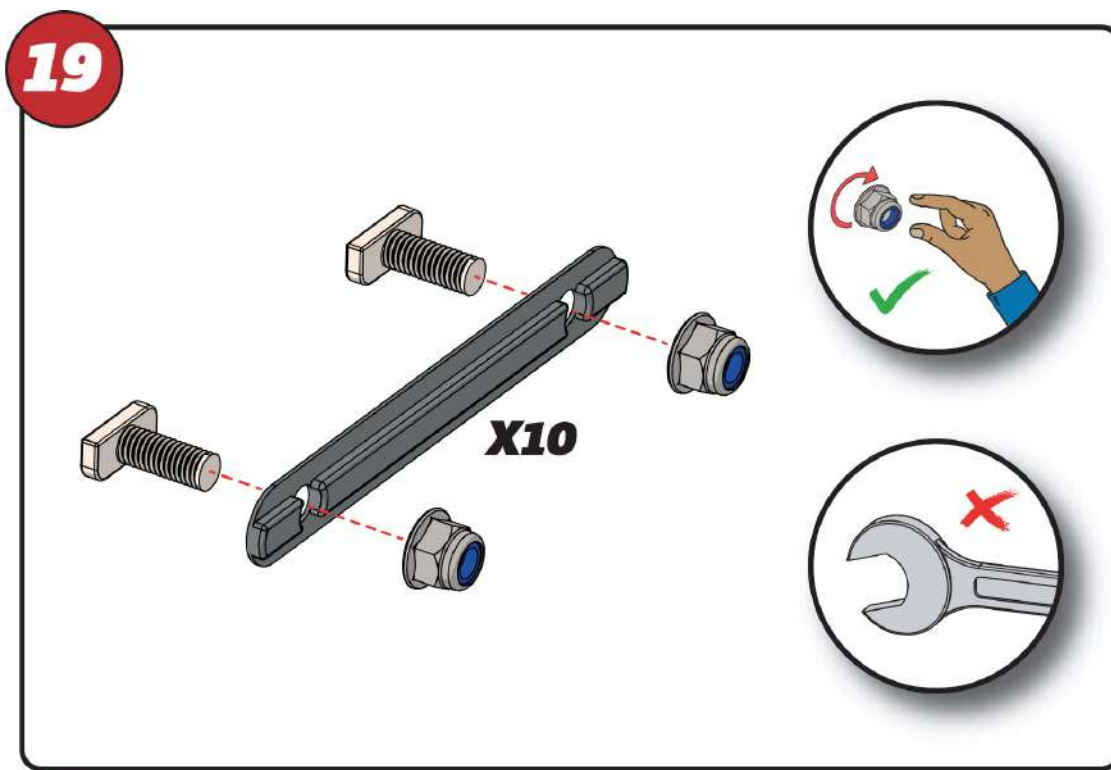
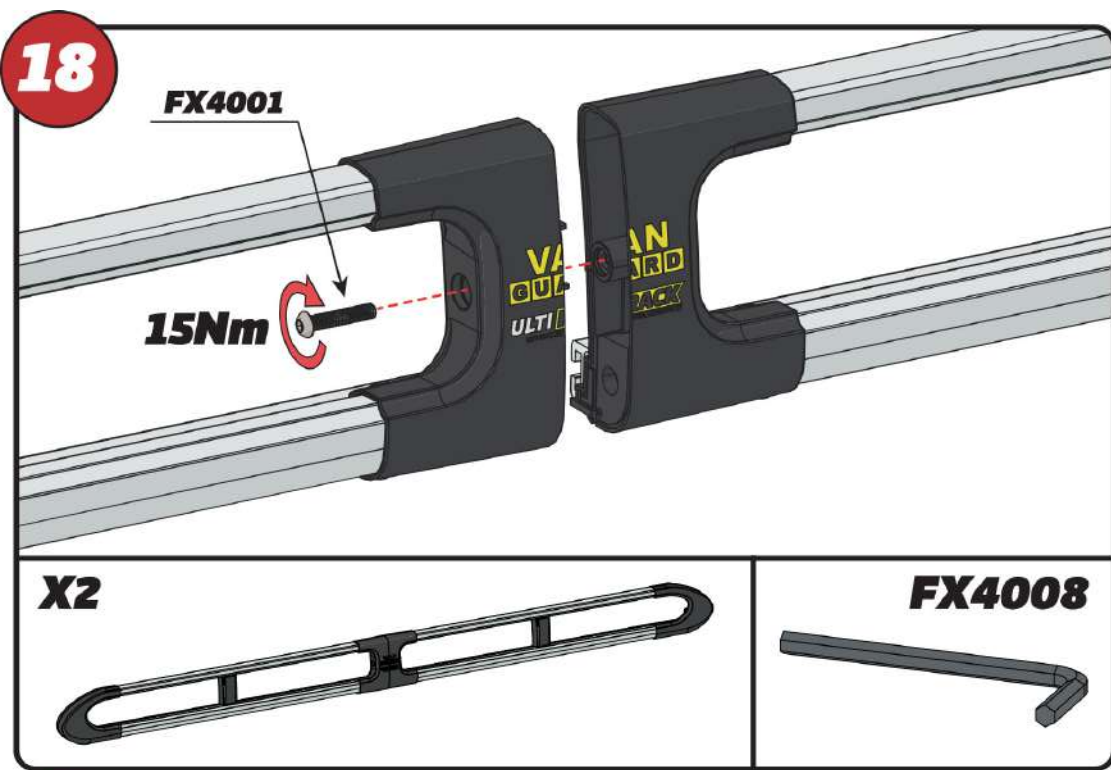
SV - FÄST GUMMI PÅ ALLA FÄSTEN
 DA - KLÆB GUMMI PÅ ALLE BESLAG
 NO - PLIST GUMMI PÅ ALLE BRAKKETTER
 PL - NAKLEJ USZCZELKI DO WSZYSTKICH WSPORNIKÓW
 CS - PŘILEPTE TĚSNĚNÍ NA VŠECHNY DRŽÁKY

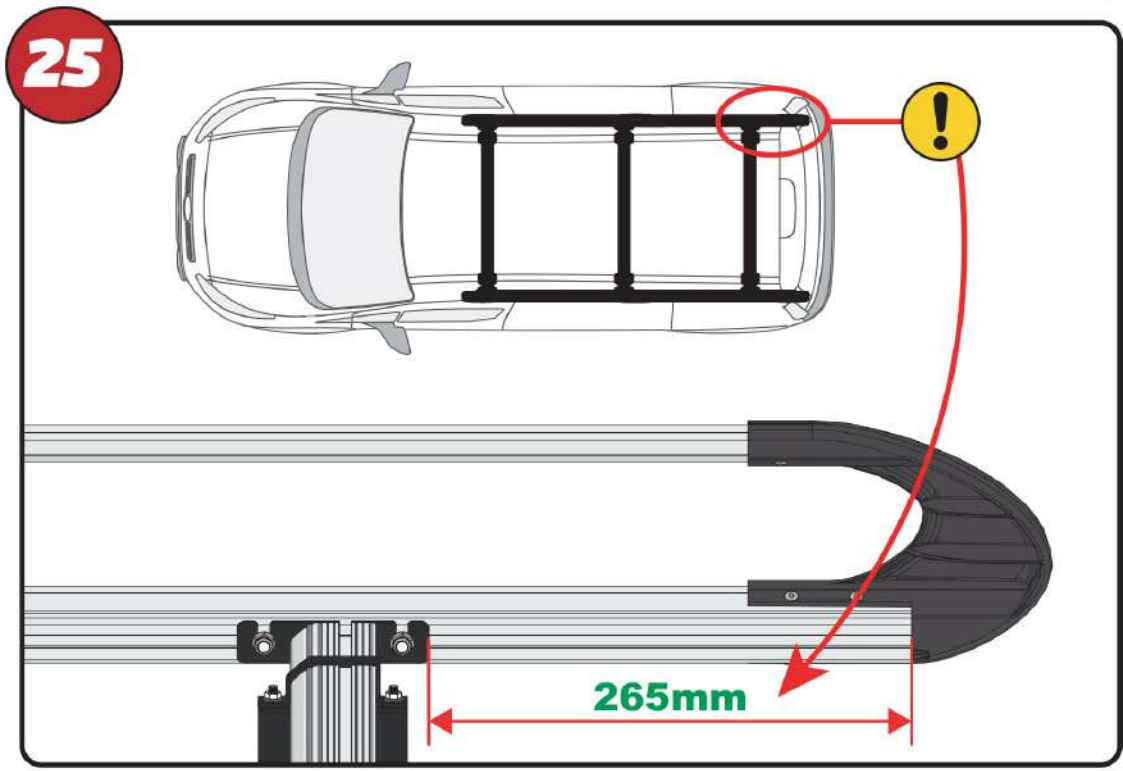
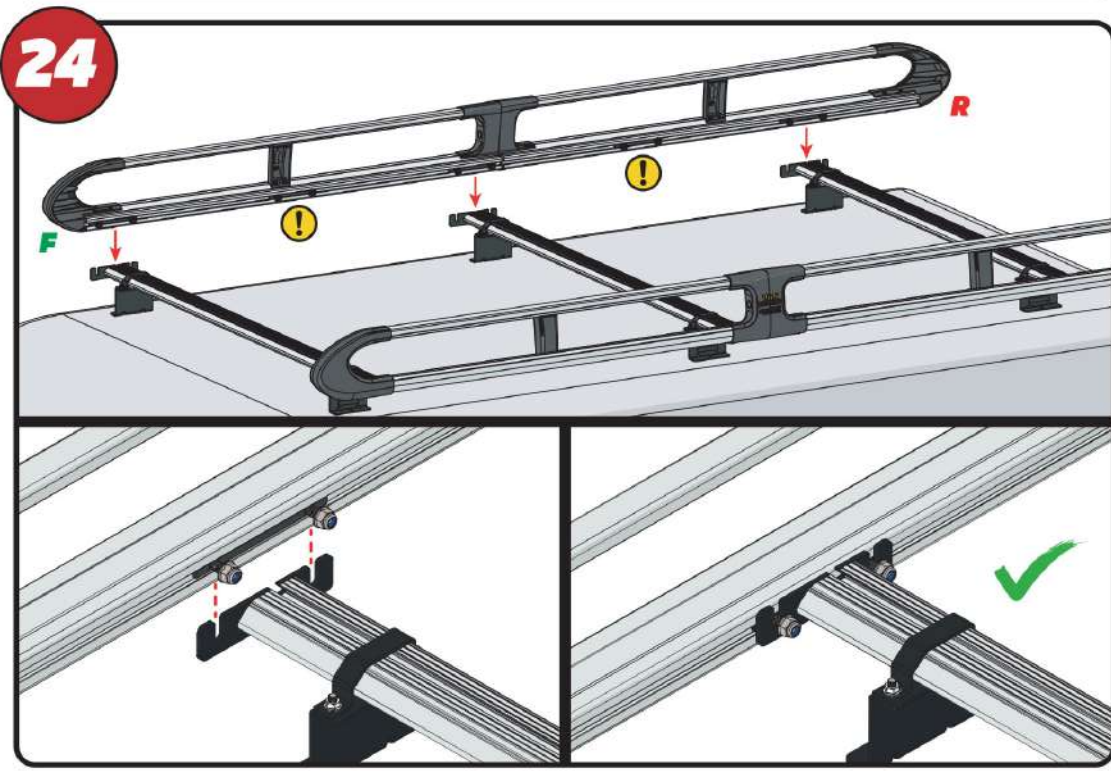
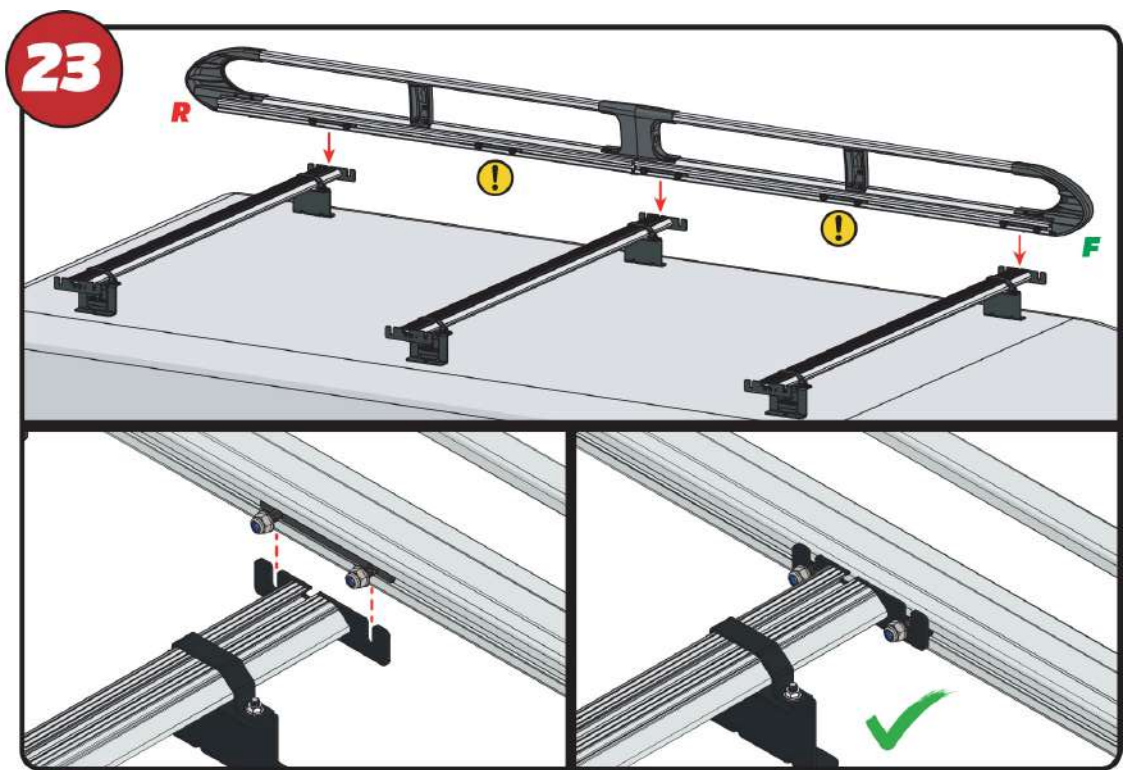
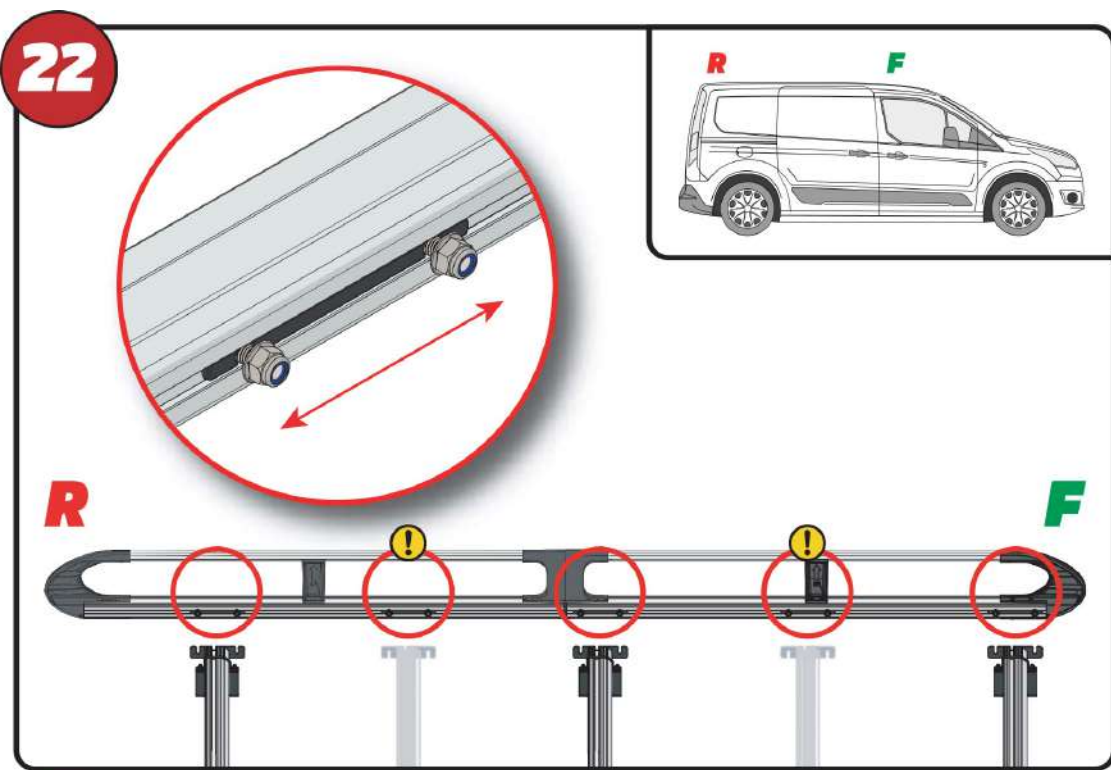


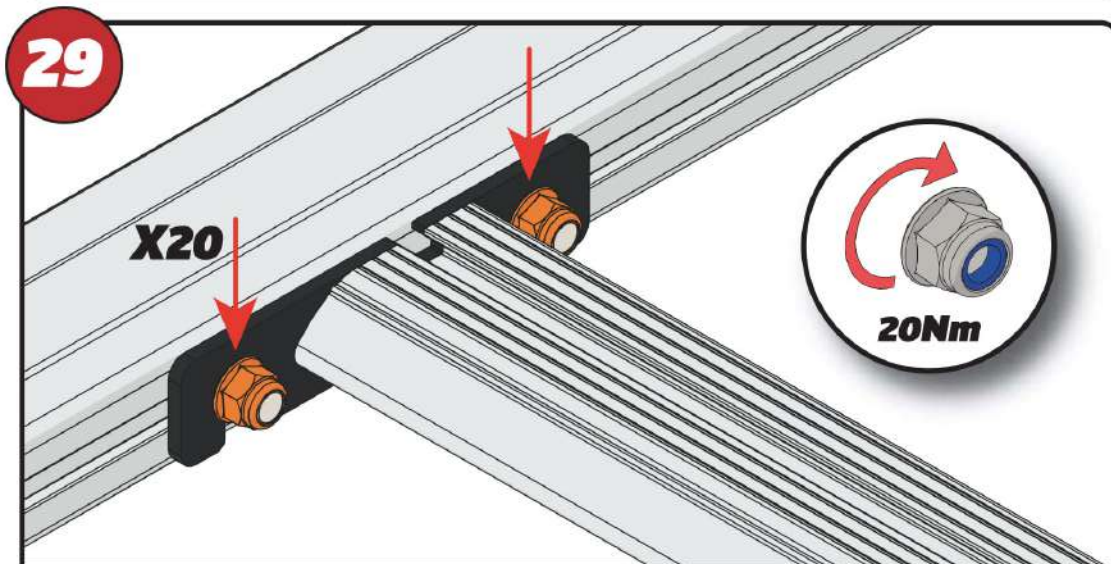
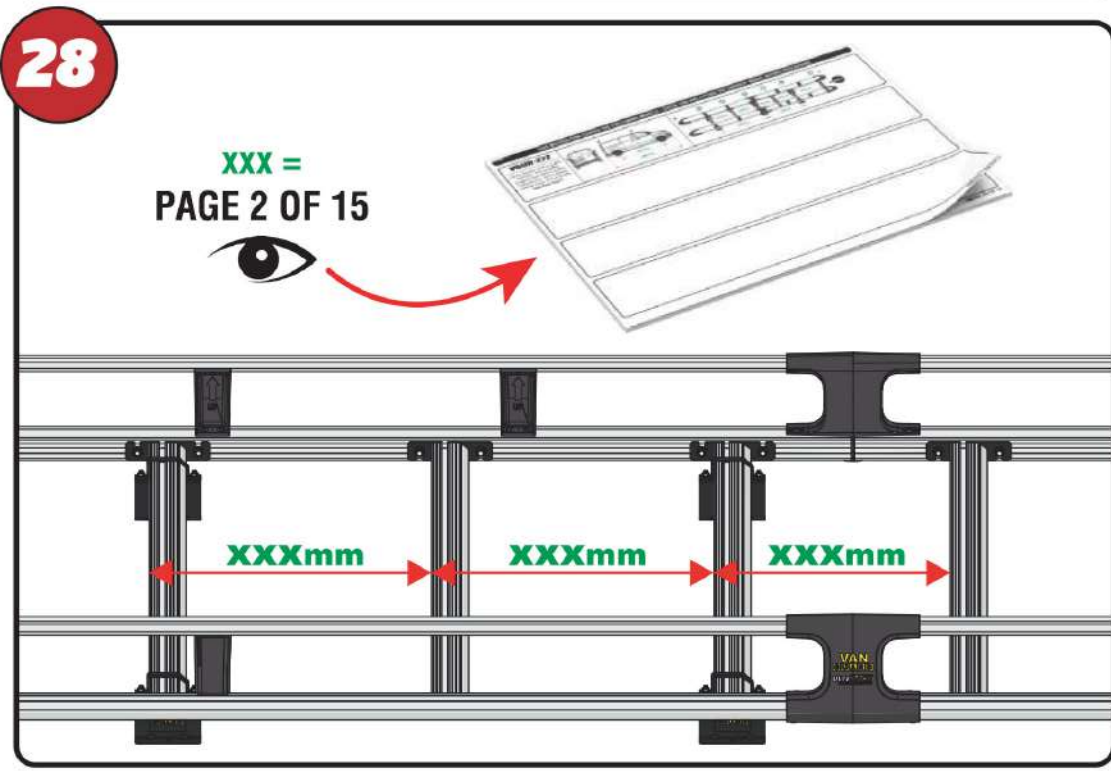
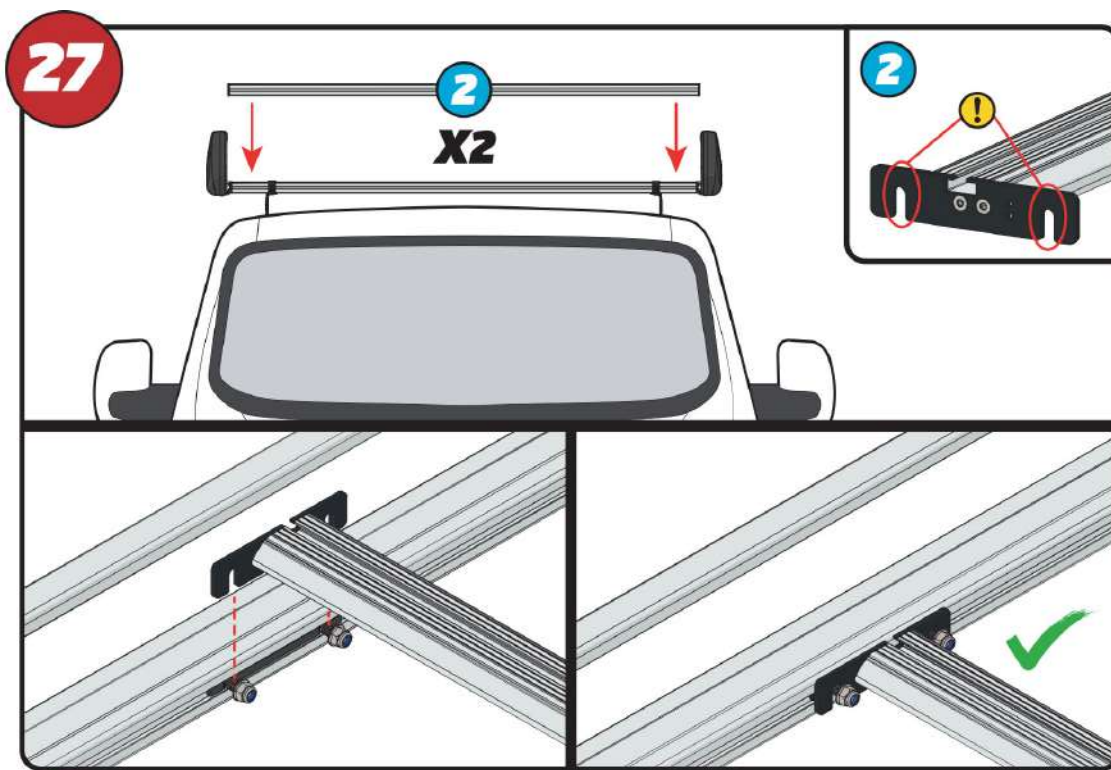
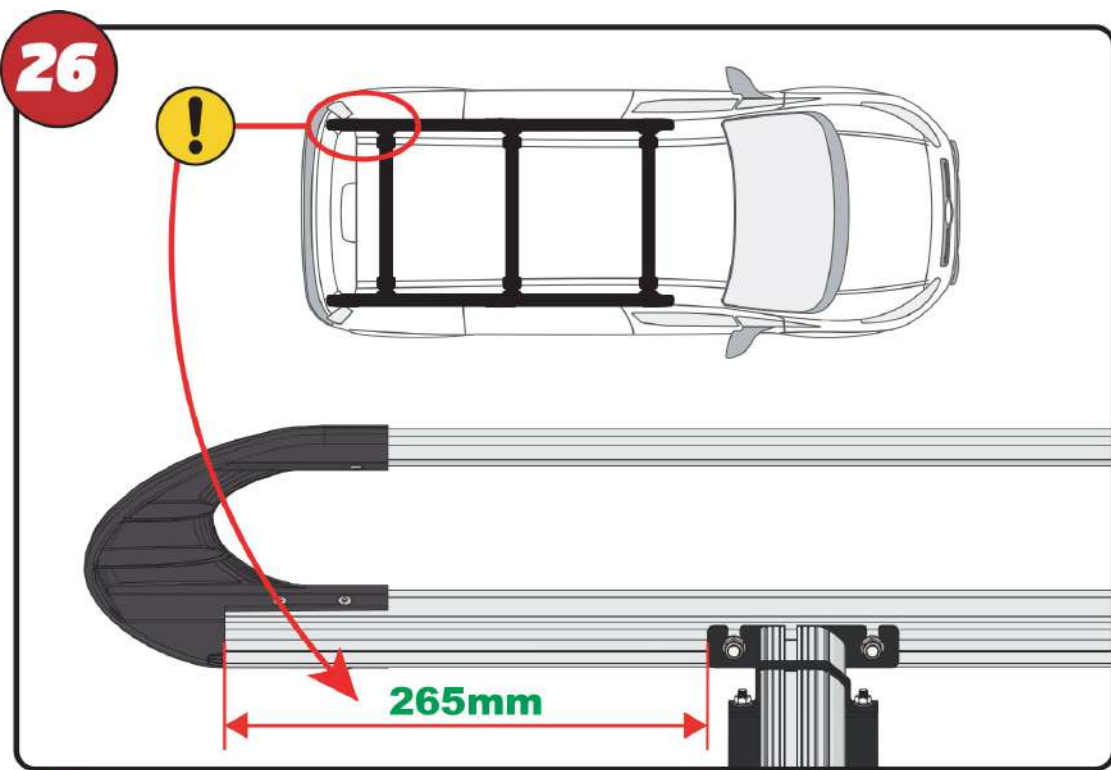












- | | |
|---|------------------------------------|
| EN - TIGHTEN ALL OF THE CROSS BARS | SV - SKRU UPP ALLA KORSSTANGAR |
| DE - ALLE QUERSTANGEN FESTZIEHEN | DA - SKRU ALLE TAGBØJLER OP |
| FR - SERREZ TOUTES LES BARRES TRANSVERSALES | NO - SKRU OPP ALLE TVERRSTENGER |
| NL - DRAAI ALLE DWARSBALK VAN HET DAK AAN | PL - DOKRĘCIĆ WSZYSTKIE POPRZECZKI |
| ES - APRIETE TODAS LAS BARRAS TRANSVERSALES | CS - VŠECHNY PŘÍČNÉ TYČE SEŠROUJTE |
| IT - STRINGERE TUTTE LE BARRE TRASVERSALI | |

