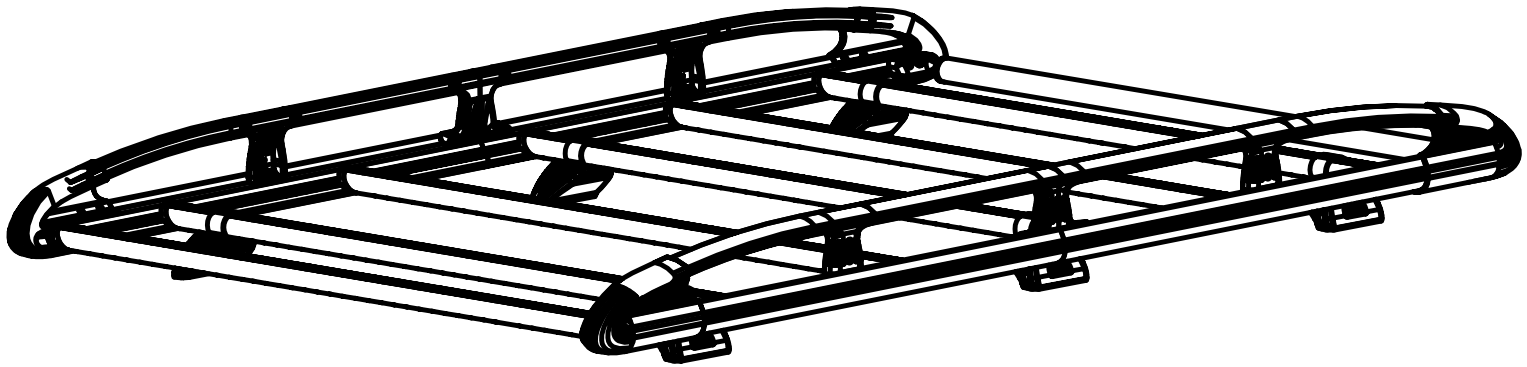


IA64KR

KammRack Instructions

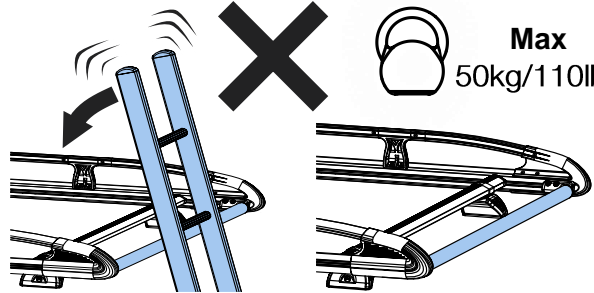
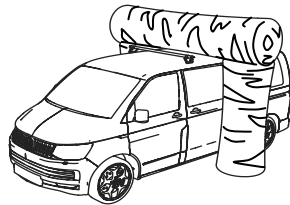
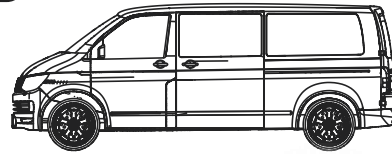


CITY CRASH (✓)

According to ISO/ PAS 11154:2006

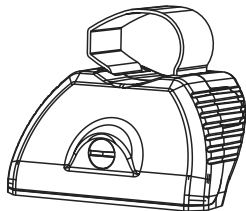
IA64KR:

CITROEN Relay, 2006 – Onwards
PEUGEOT Boxer, 2006 – Onwards
FIAT Ducato, 2006 – Onwards
VAUXHALL Movano 2020- Onwards

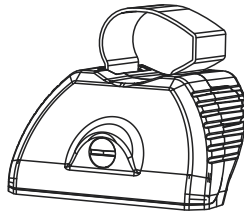


Max
50kg/110lbs

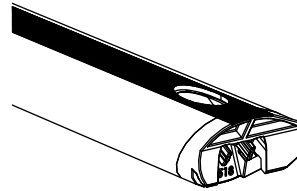
KammRack



SA397U x 4



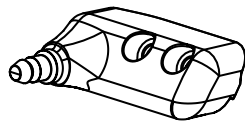
SA398U x 4



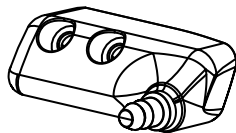
**SA430/S
A468**



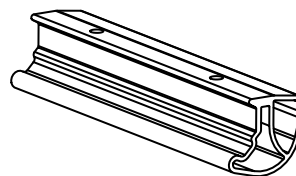
C04 x 8
optional upgrade



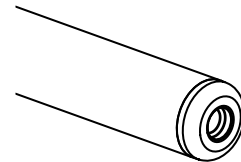
PS519 x 1



PS520 x 1



EXT15-02 x 4

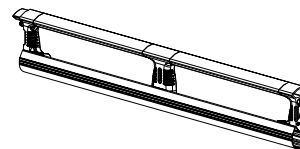
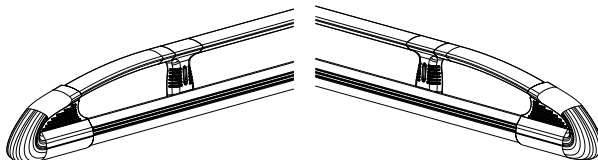


SA438 x 1

LHS x 2

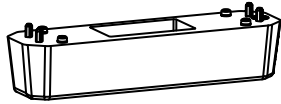
RHS x 2

Centre x 2

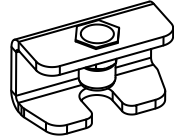


ASF x 1

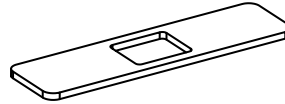
Fitting Kit



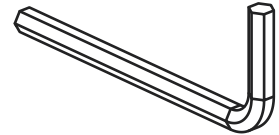
PS180 x 8



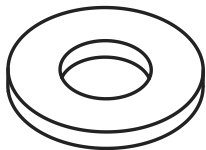
SA068 x 8



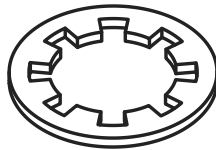
PS047 x 8



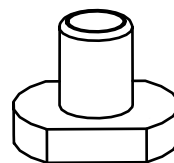
FT01 x 1



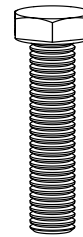
FW002 (M8) x 8



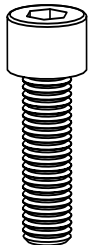
FW009 (M8) x 8



FN085 x 22



FS067
(M8 x 20) x 8

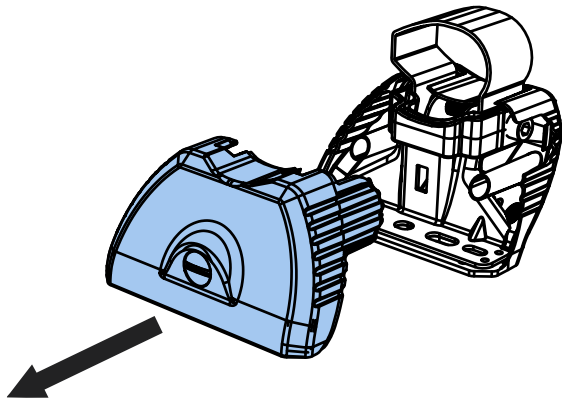


FS059 (M8
x 25) x 22

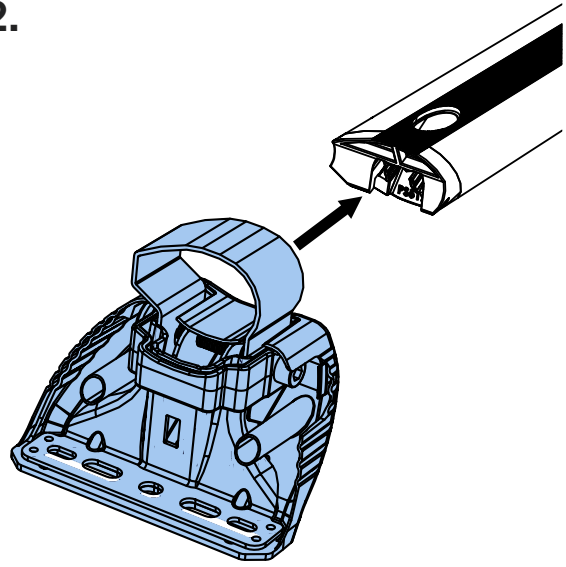


FT01 x 1

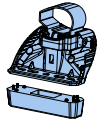
1.



2.



3.



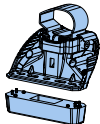
SA397U
PS180



SA397U
PS180

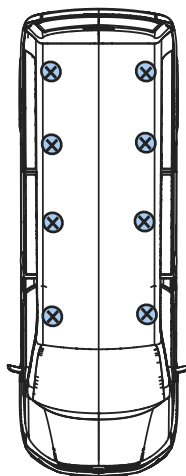


SA397U
PS180



SA397U
PS180

R

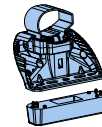


F

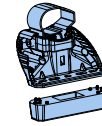
SA398U
PS180



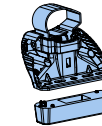
SA398U
PS180



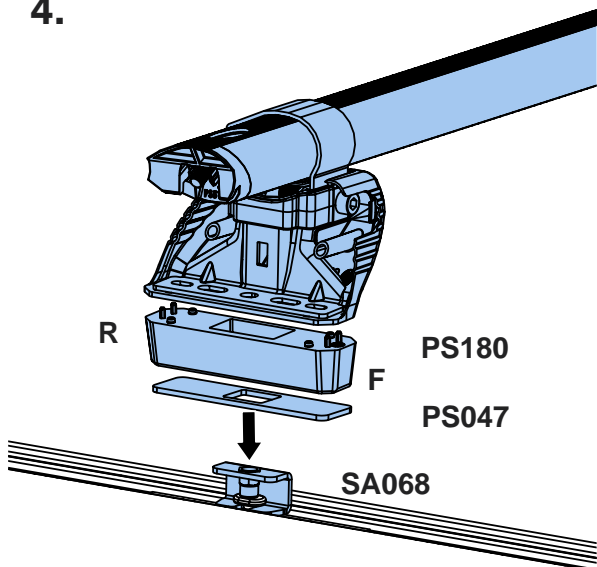
SA398U
PS180



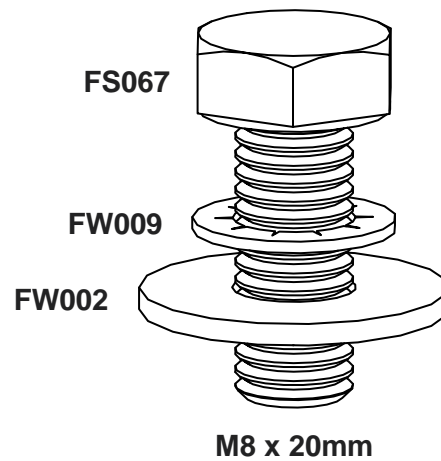
SA398U
PS180

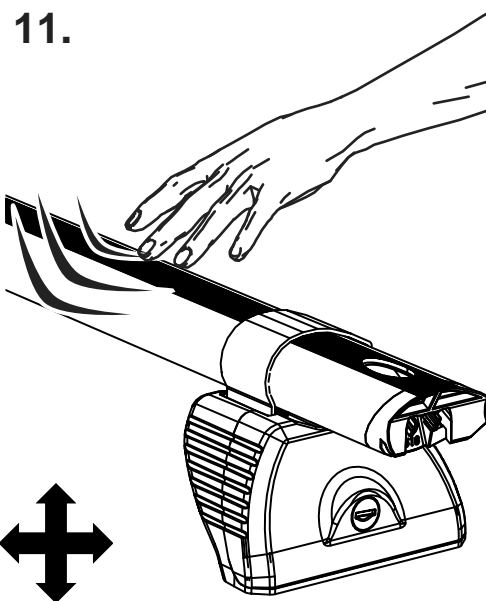
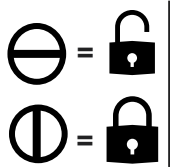
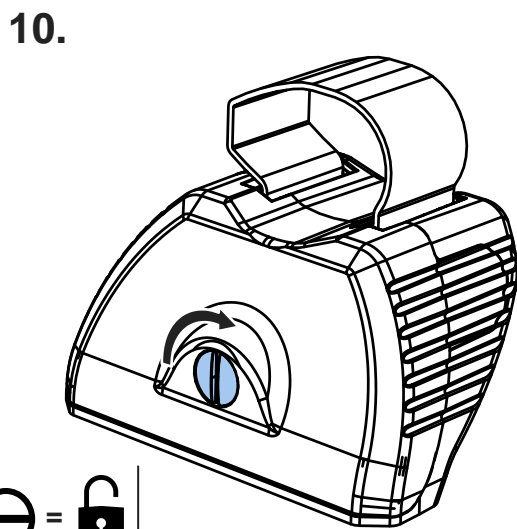
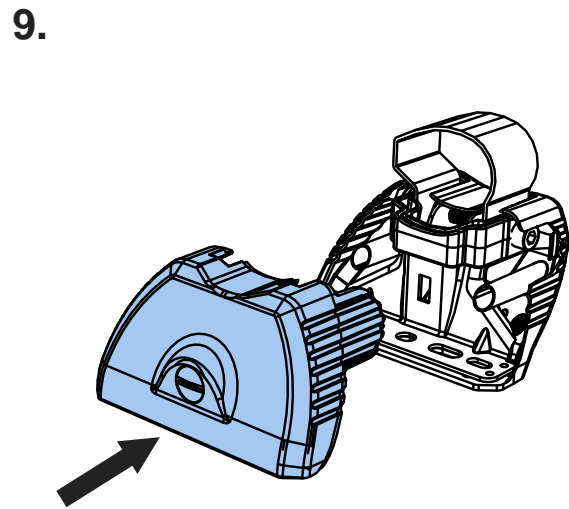
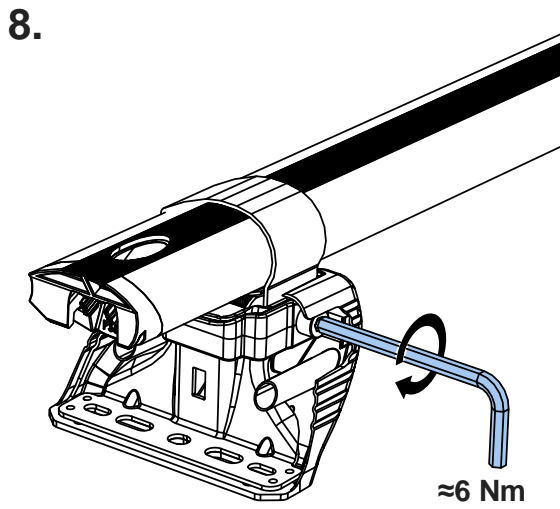
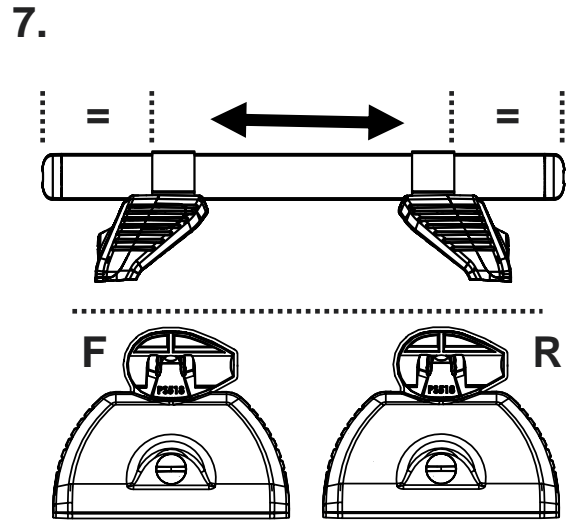
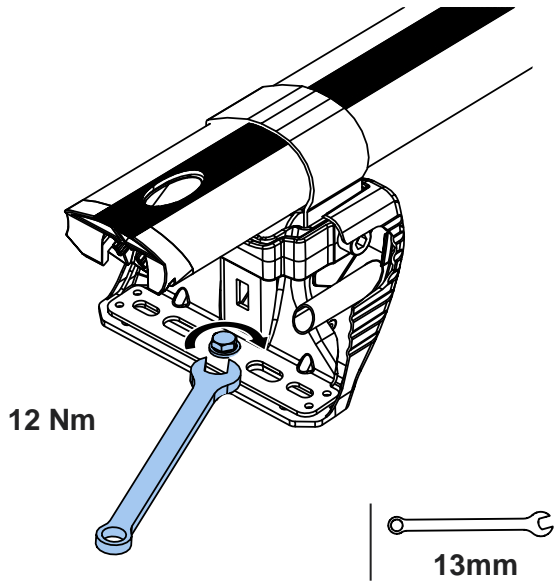


4.

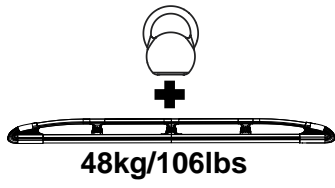


5.

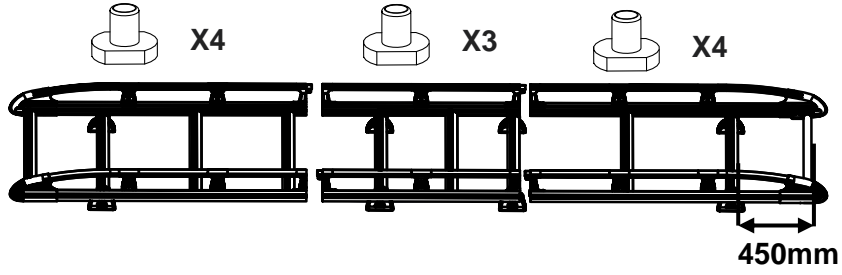
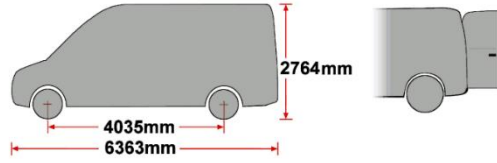




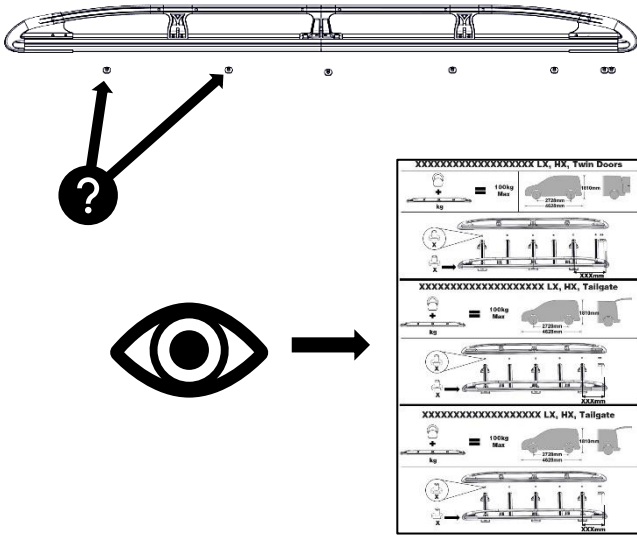
**K618/B618- Jumper/Relay/Boxer/Ducato 2006-/Movano
2020- L4, H3, Twin Doors**



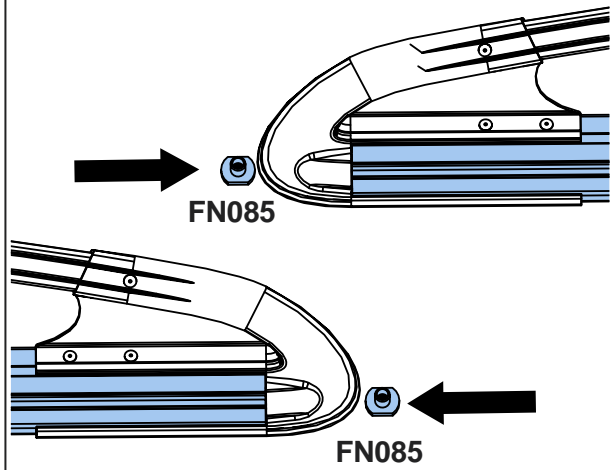
150kg
Max



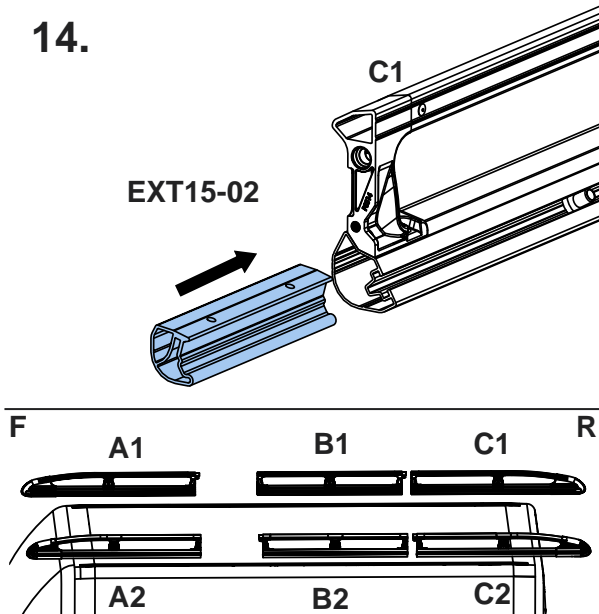
12.



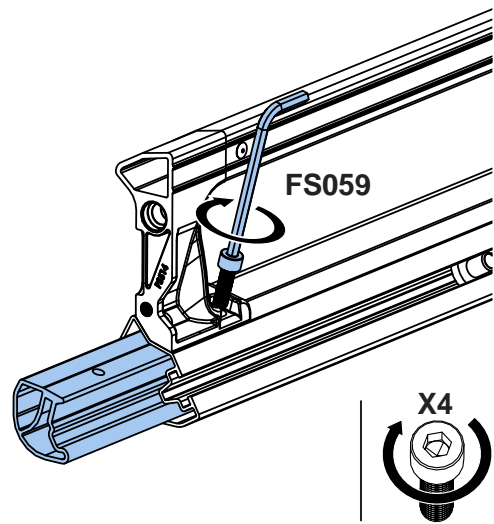
13.



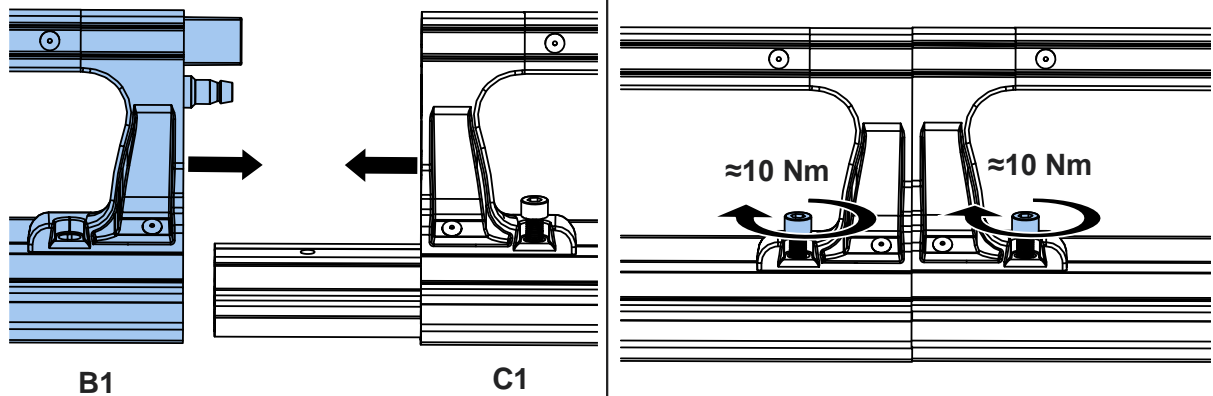
14.



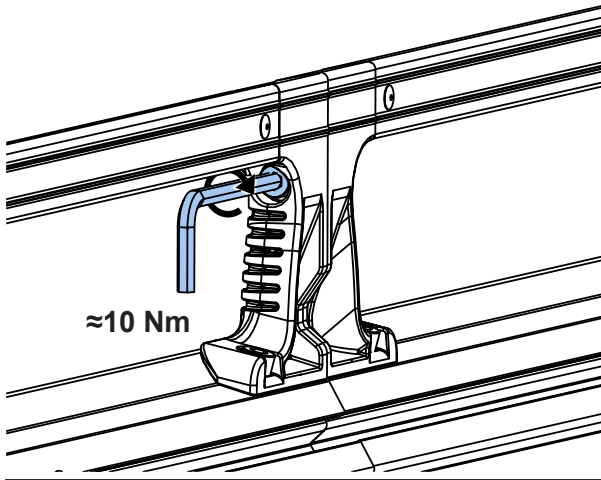
15.



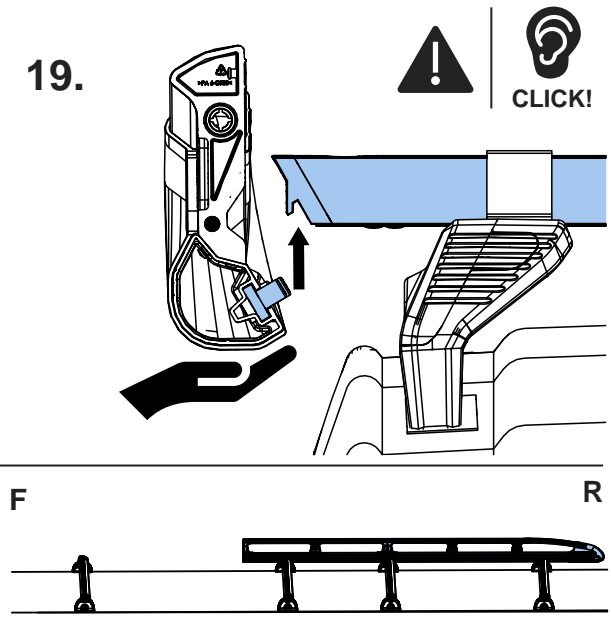
17.



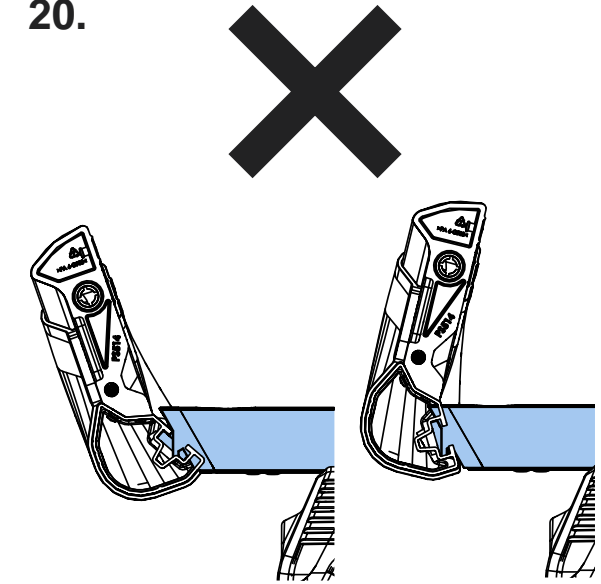
18.



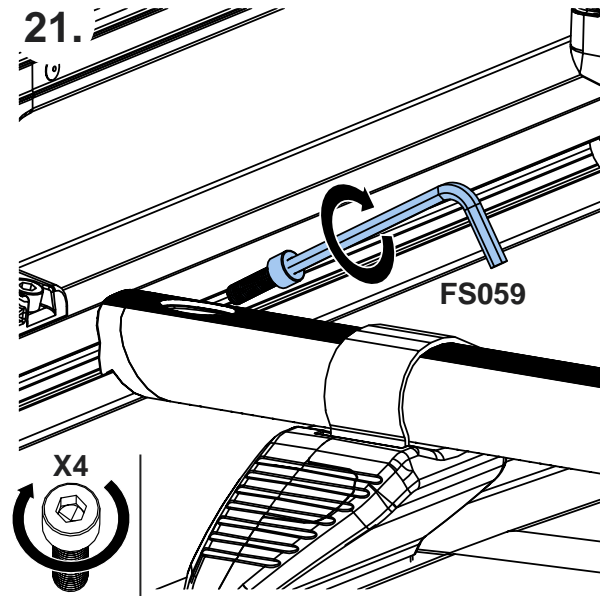
19.



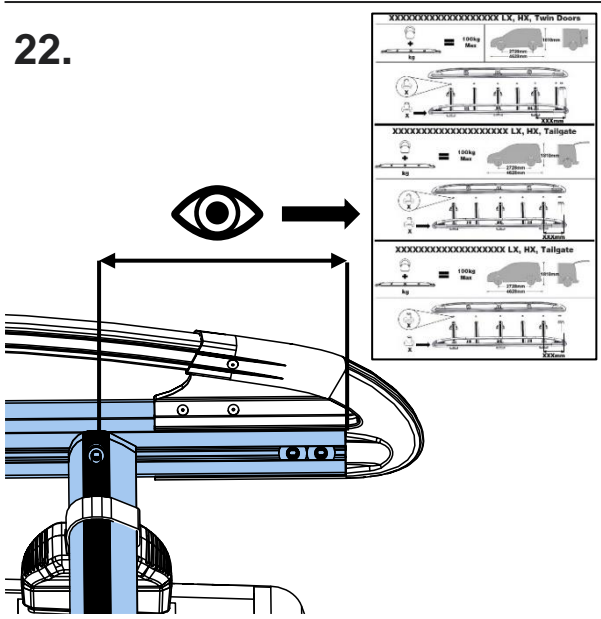
20.



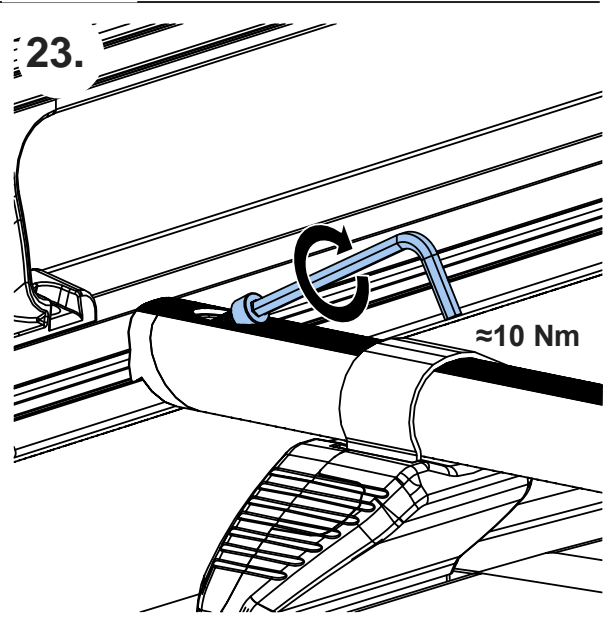
21.



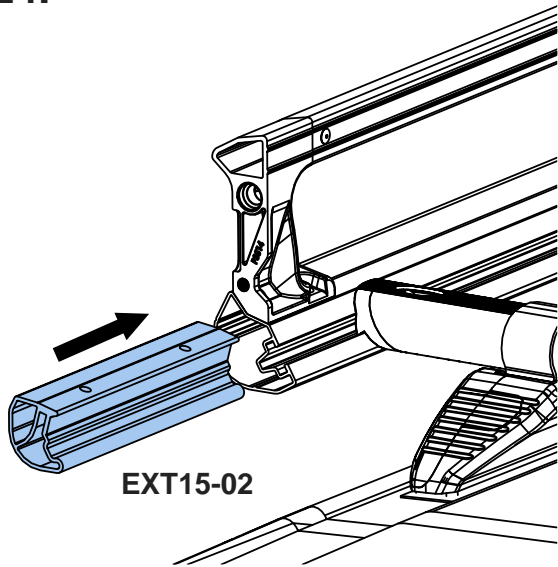
22.



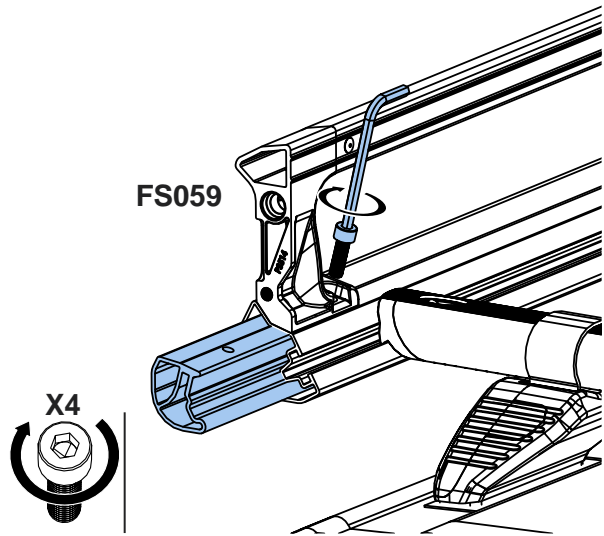
23.



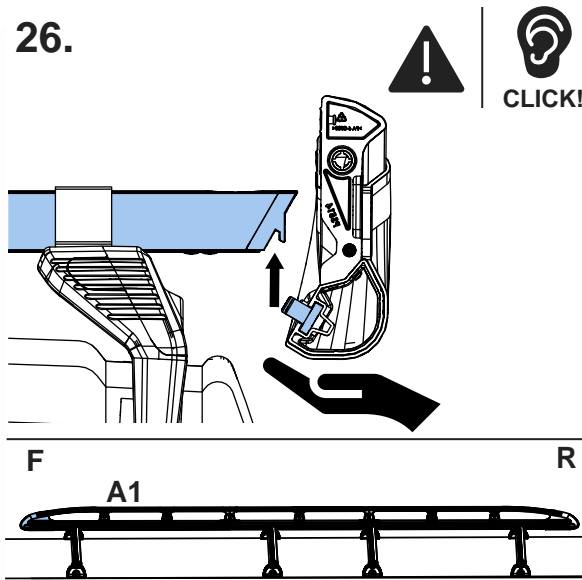
24.



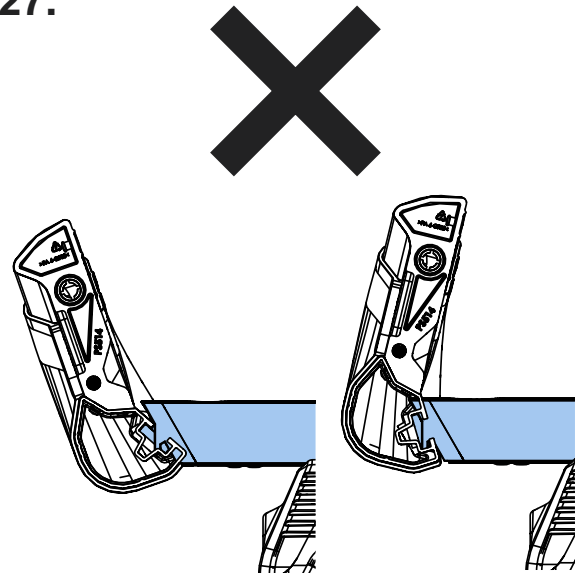
25.



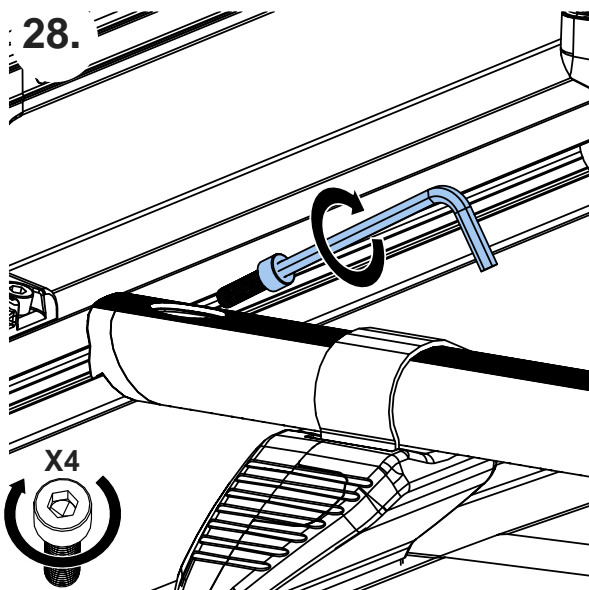
26.



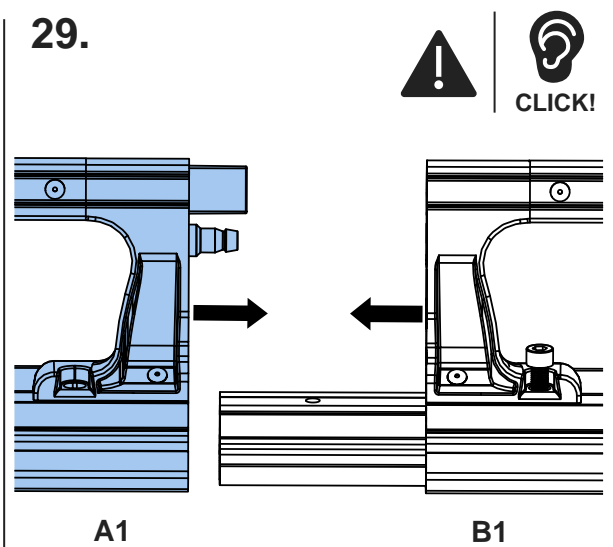
27.



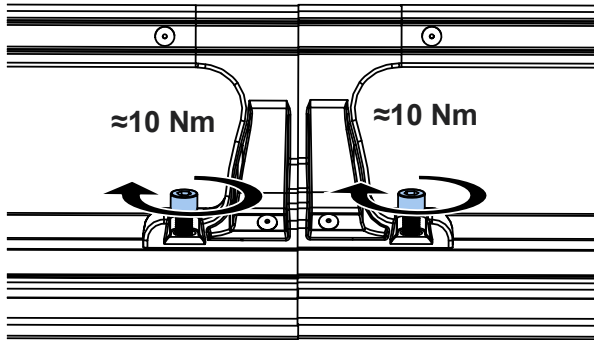
28.



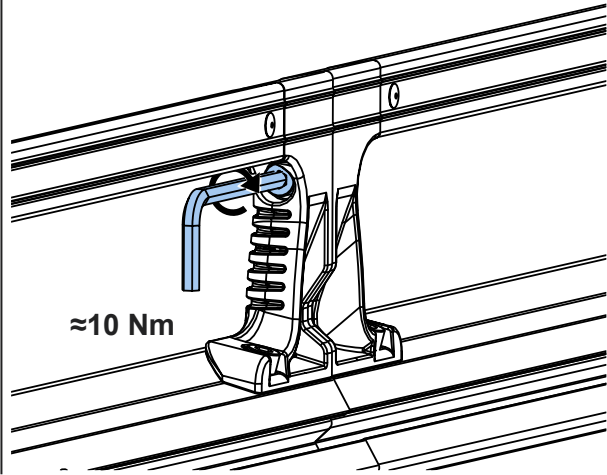
29.



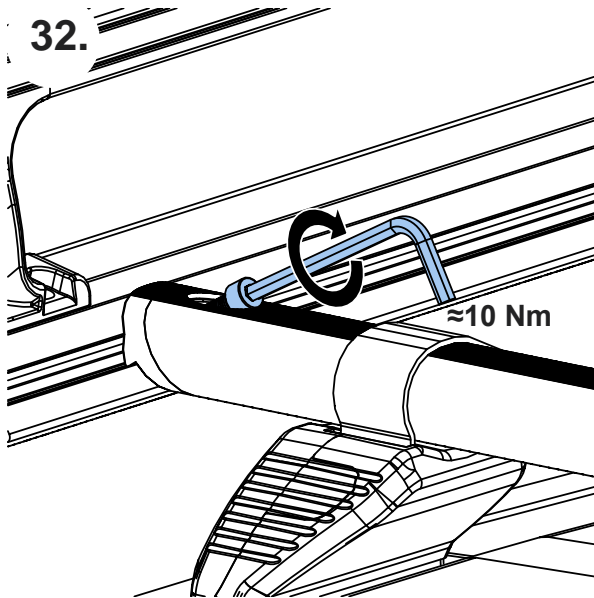
30.



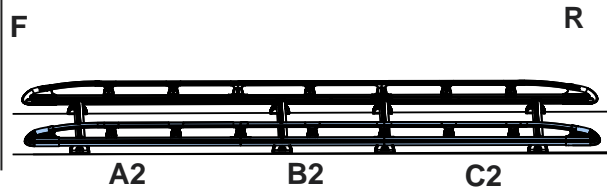
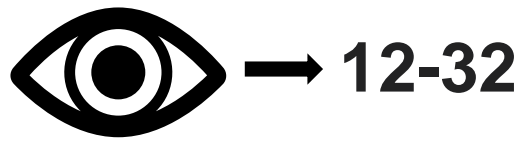
31.



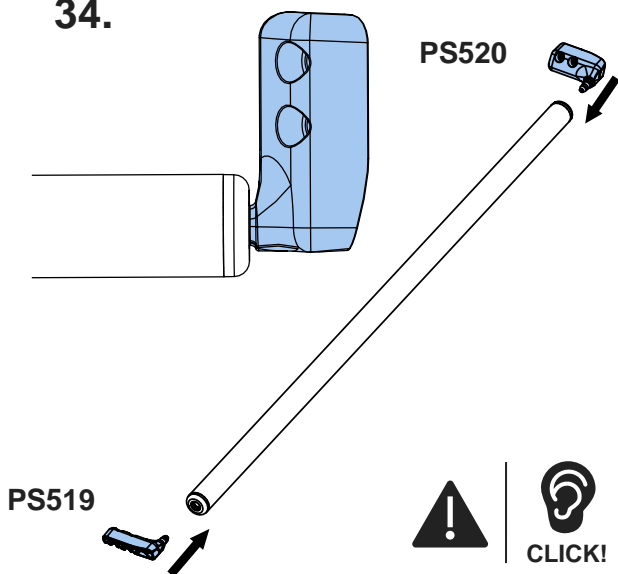
32.



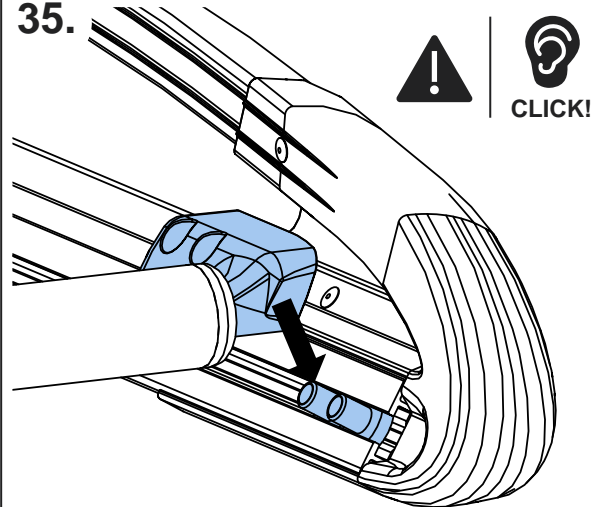
33.



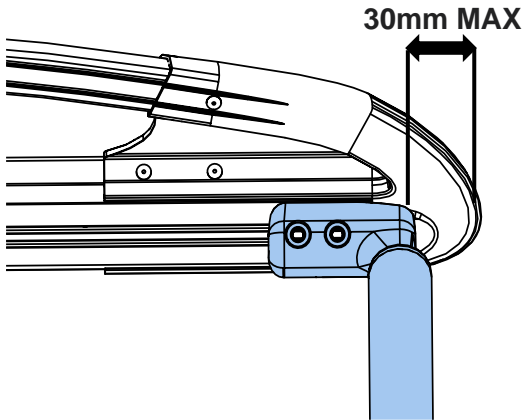
34.



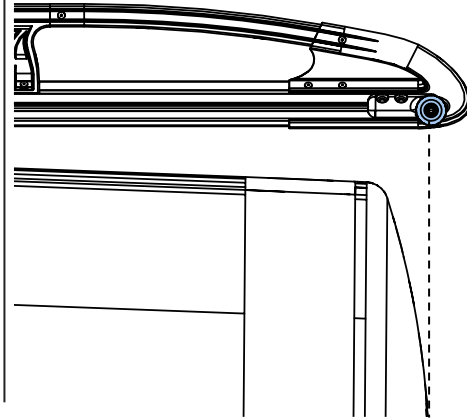
35.



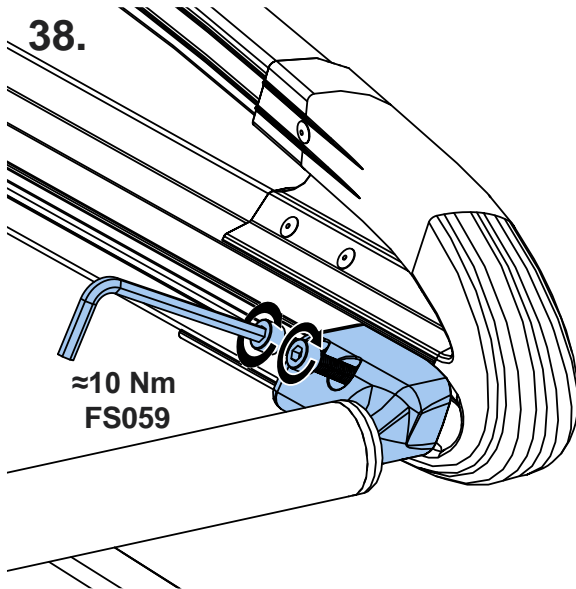
36.



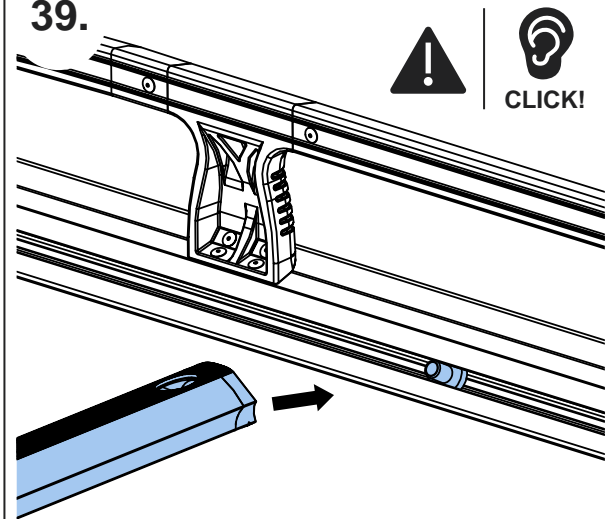
37.



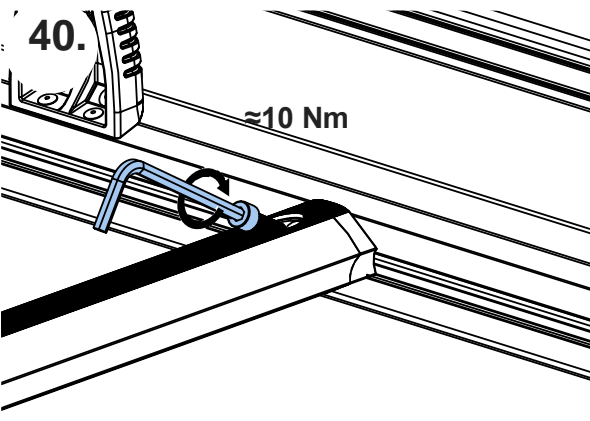
38.



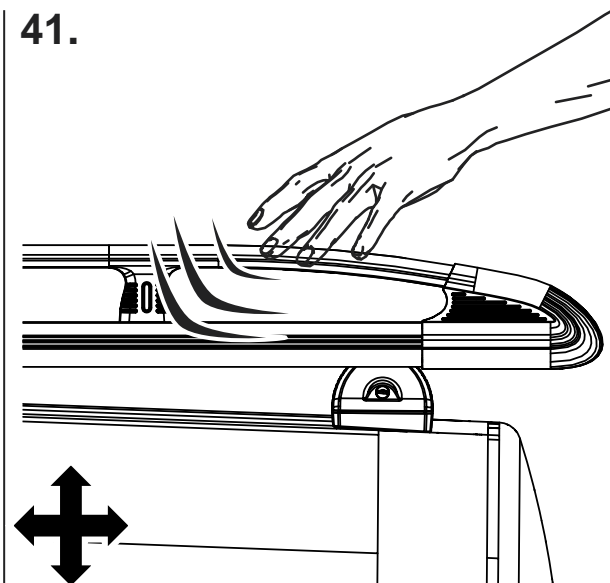
39.



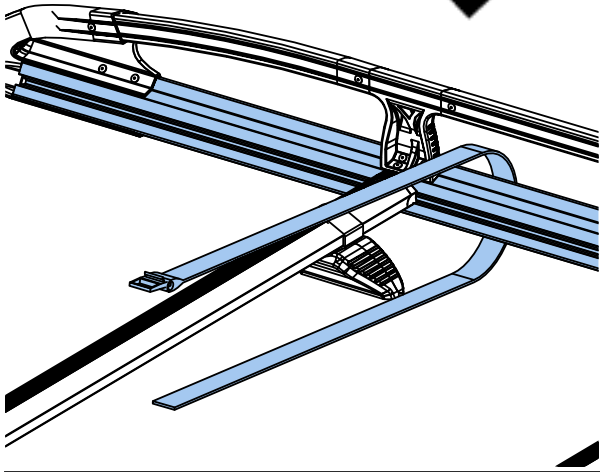
40.



41.



42.



43.

