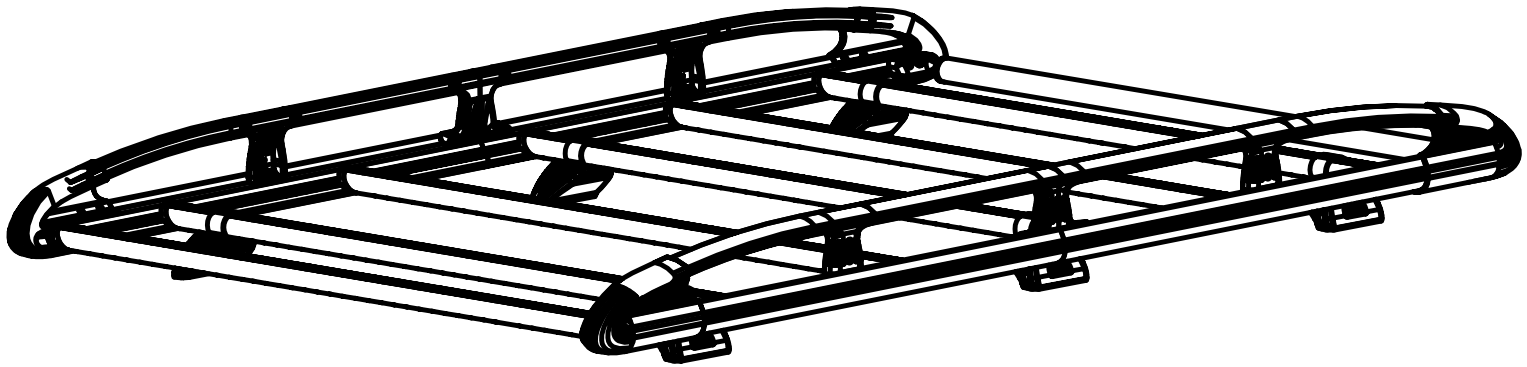


# IA3KR

# KammRack

## Instructions

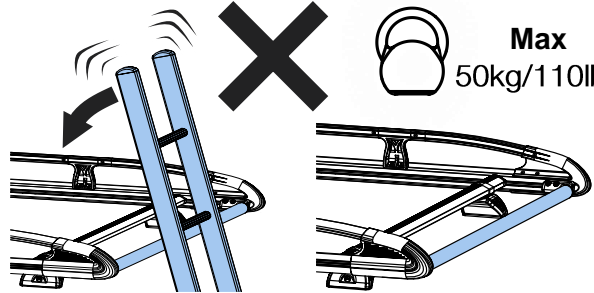
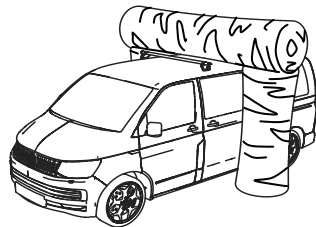
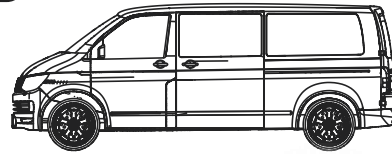


**CITY CRASH** (✓)

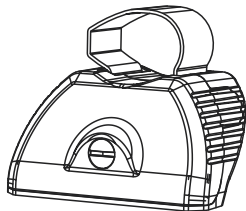
According to ISO/ PAS 11154:2006

**IA3KR:**

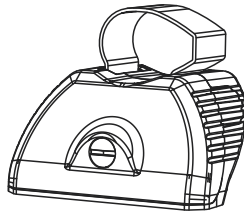
**CITROEN** Relay, 2006 – Onwards  
**PEUGEOT** Boxer, 2006 – Onwards  
**FIAT** Ducato, 2006 – Onwards  
**VAUXHALL** Movano 2020- Onwards



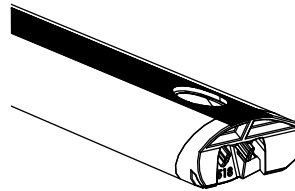
**KammRack**



SA397U x 3



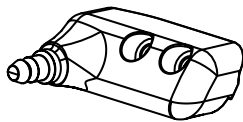
SA398U x 3



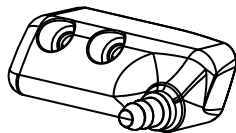
SA431/  
SA469



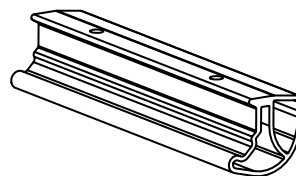
C04 x 6  
\*optional upgrade\*



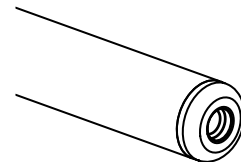
PS519 x 1



PS520 x 1



EXT15-02 x 4

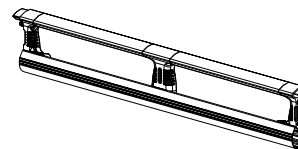
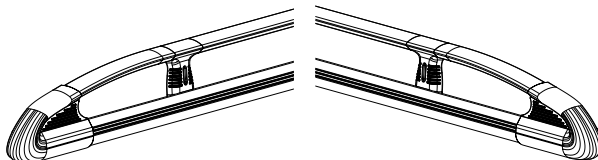


SA439 x 1

LHS x 2

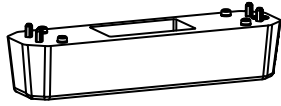
RHS x 2

Centre x 2

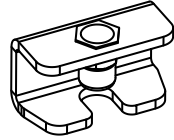


ASF x 1

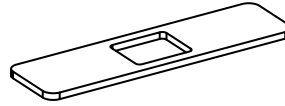
## Fitting Kit



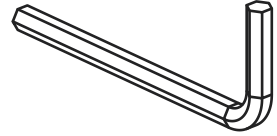
PS180 x 6



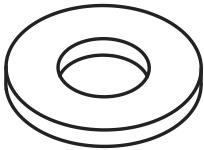
SA068 x 6



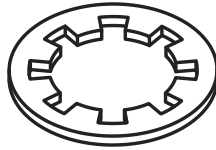
PS047 x 6



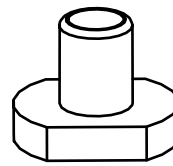
FT01 x 1



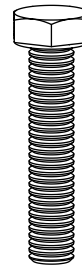
FW002 (M8) x 6



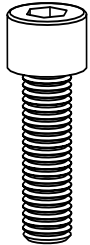
FW009 (M8) x 6



FN085 x 18



FS067   
(M8 x 20) x 6

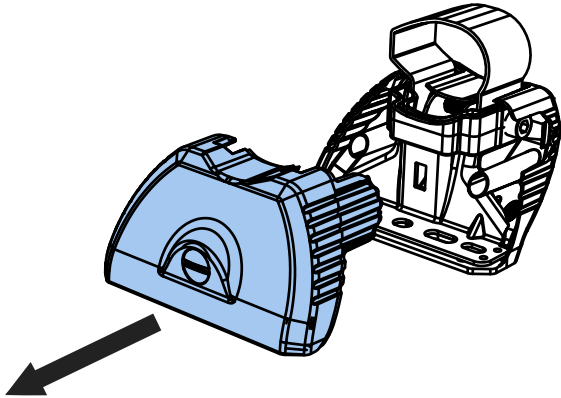


FS059  (M8  
x 25) x 18

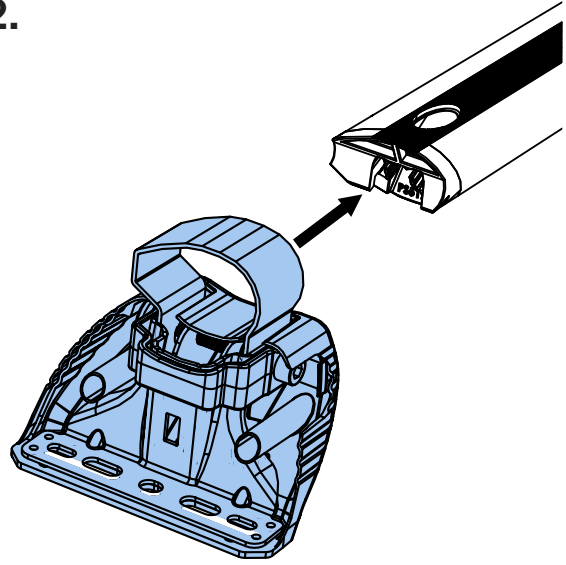


FT05 x 1

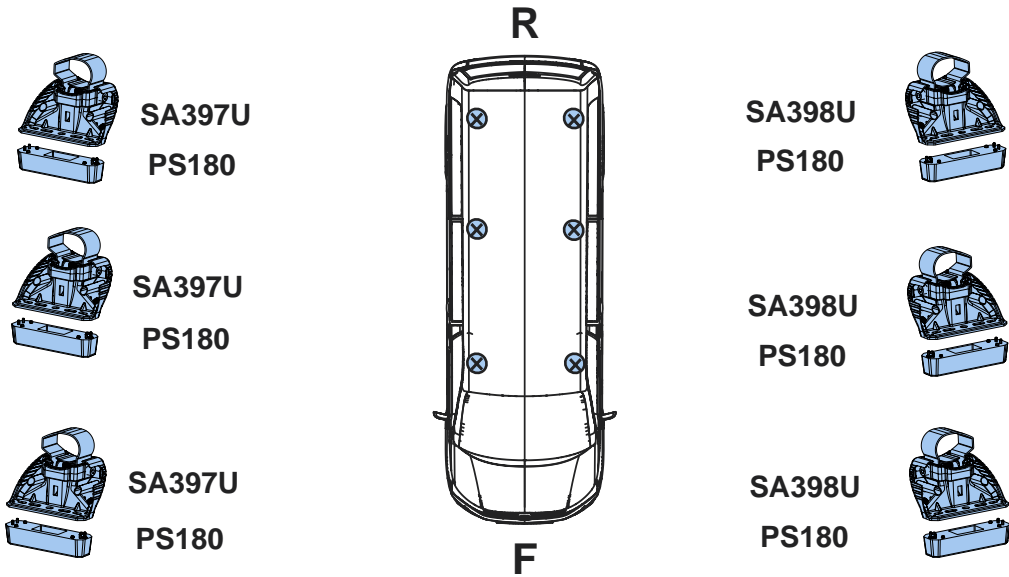
1.



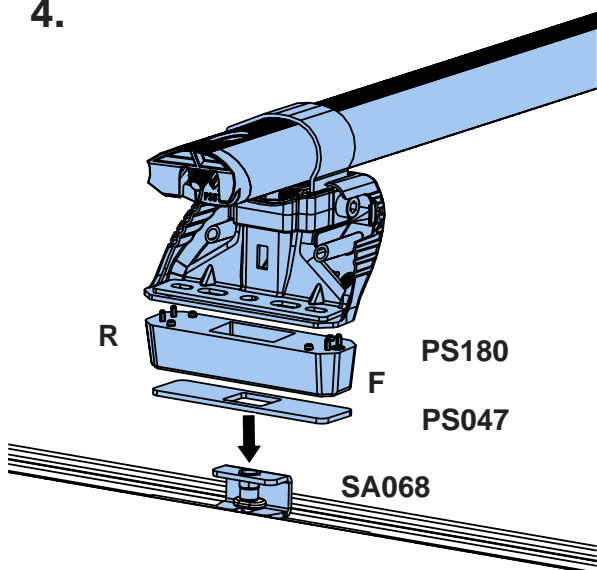
2.



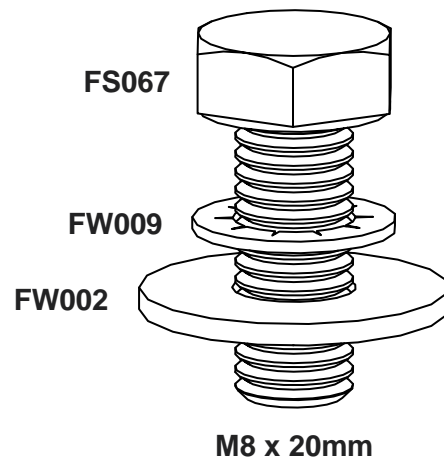
3.

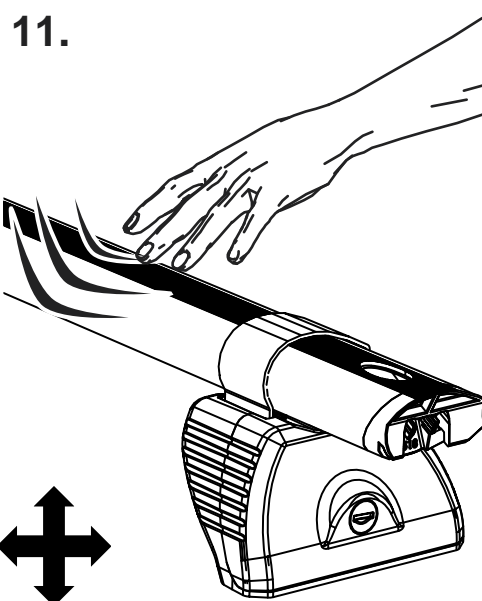
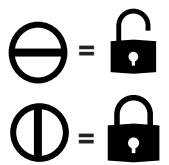
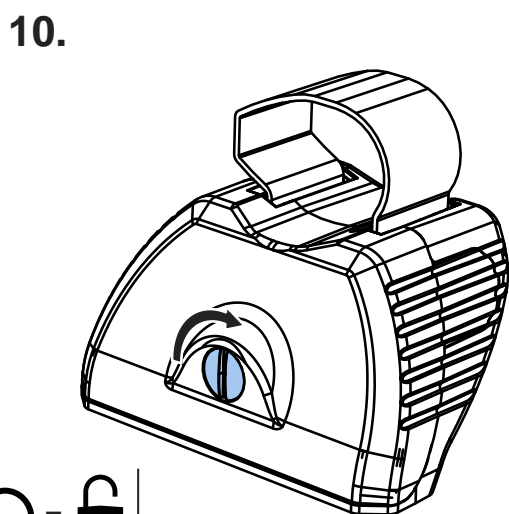
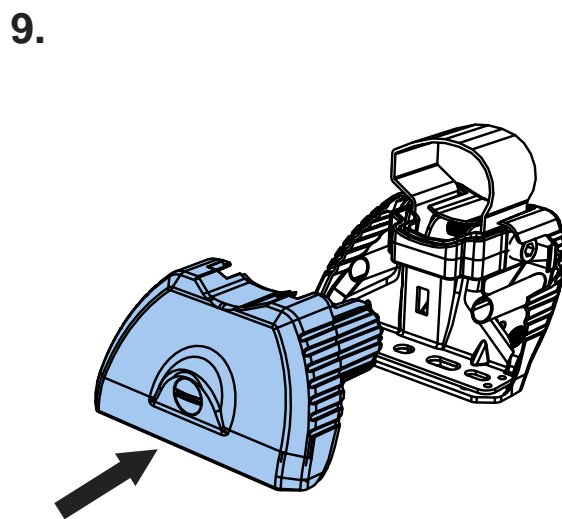
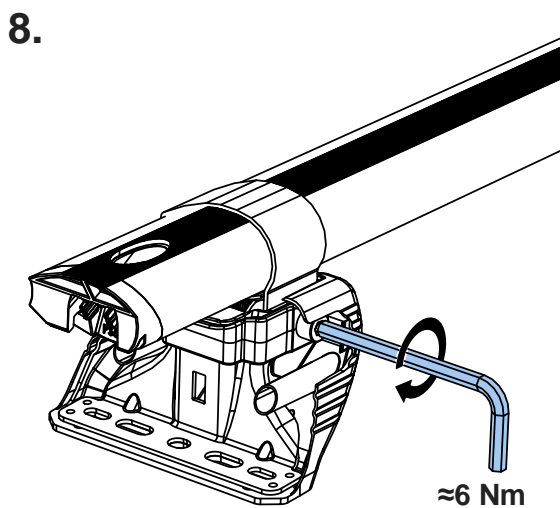
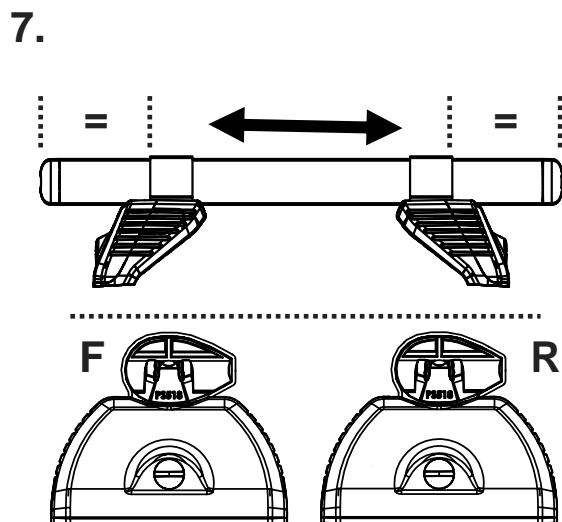
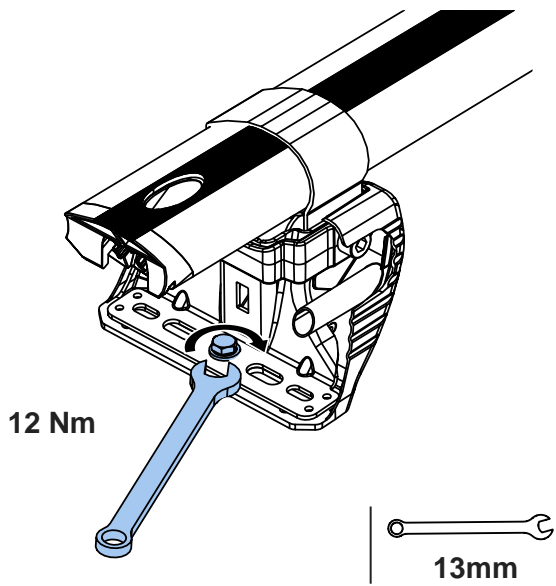


4.

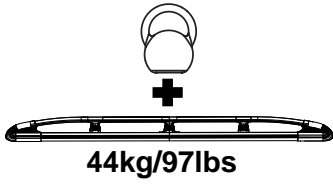


5.

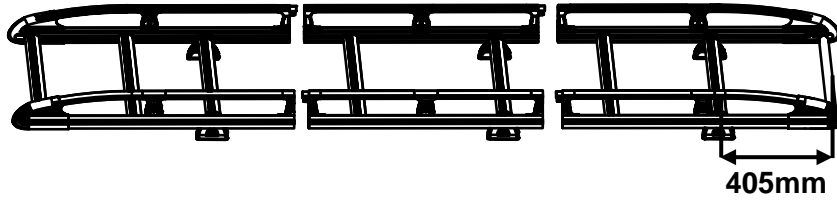
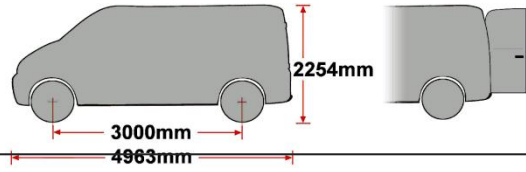




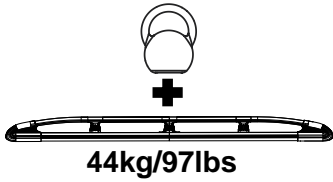
**K545/B545- Jumper/Relay/Boxer/Ducato 2006-/Movano  
2020- L1, H1, Twin Doors**



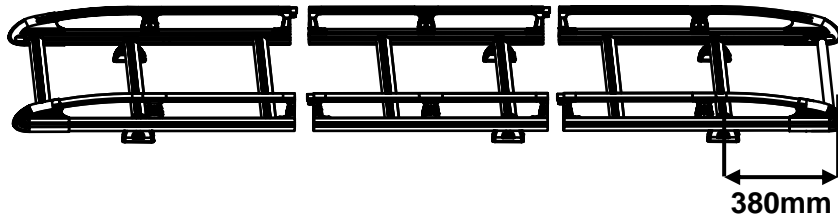
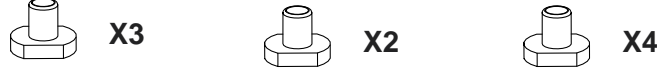
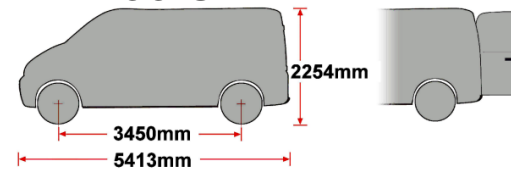
**150kg  
Max**



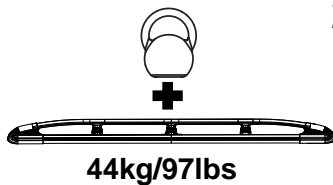
**K545/B545- Jumper/Relay/Boxer/Ducato 2006-/Movano  
2020- L2, H1, Twin Doors**



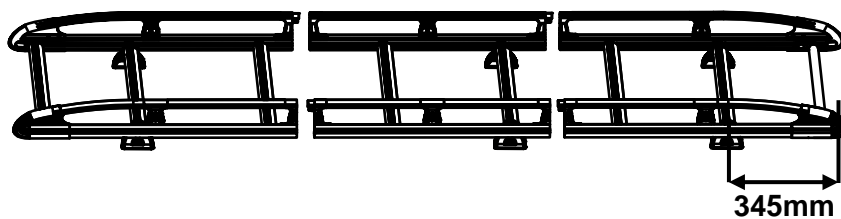
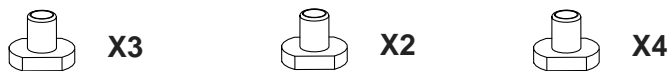
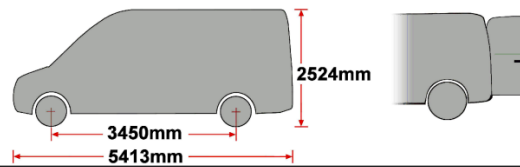
**150kg  
Max**



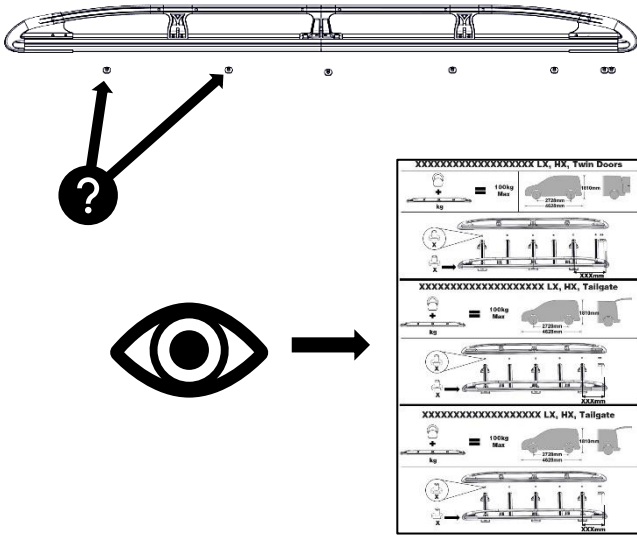
**K545/B545- Jumper/Relay/Boxer/Ducato 2006-/Movano  
2020- L2, H2, Twin Doors**



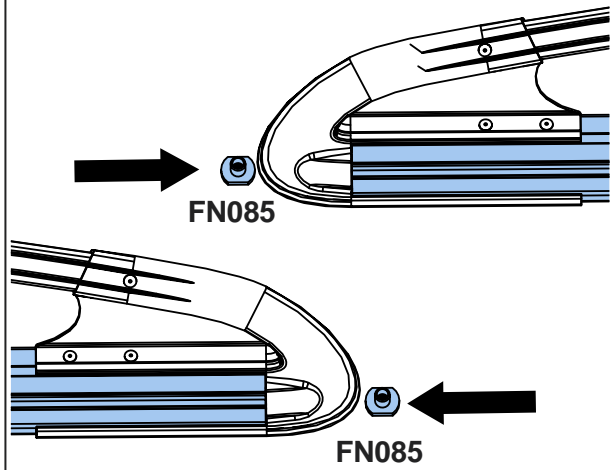
**150kg  
Max**



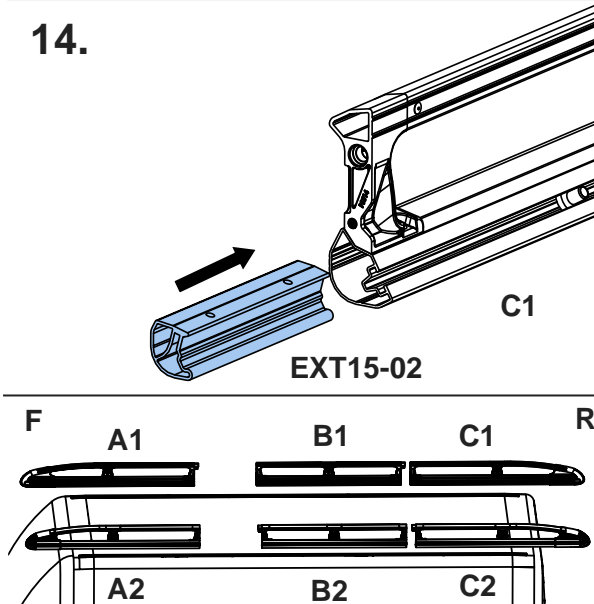
12.



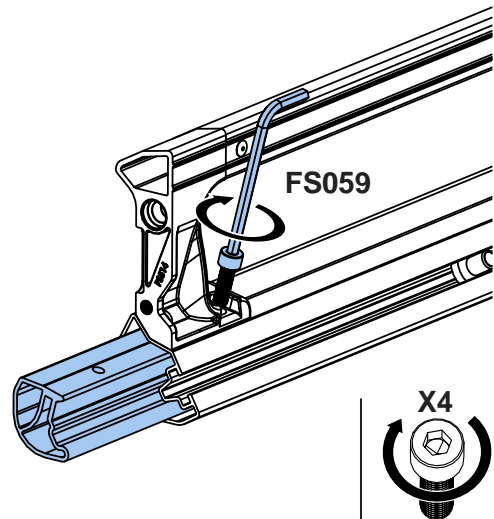
13.



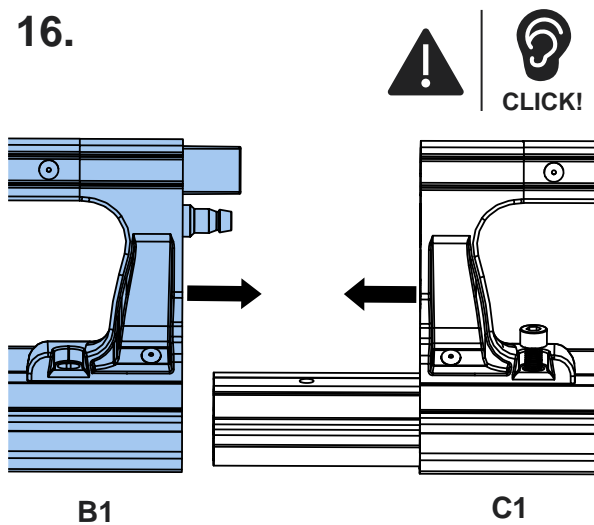
14.



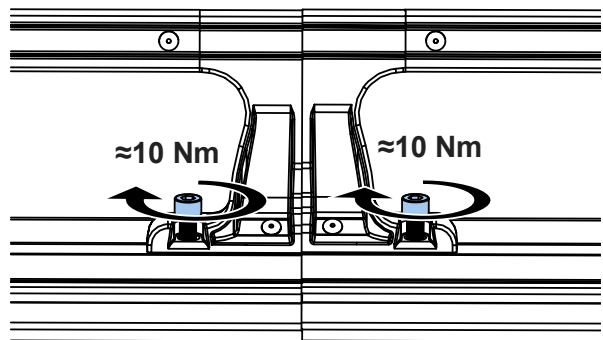
15.



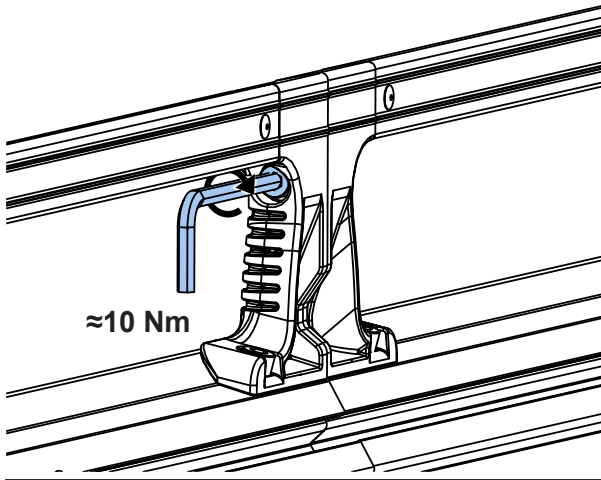
16.



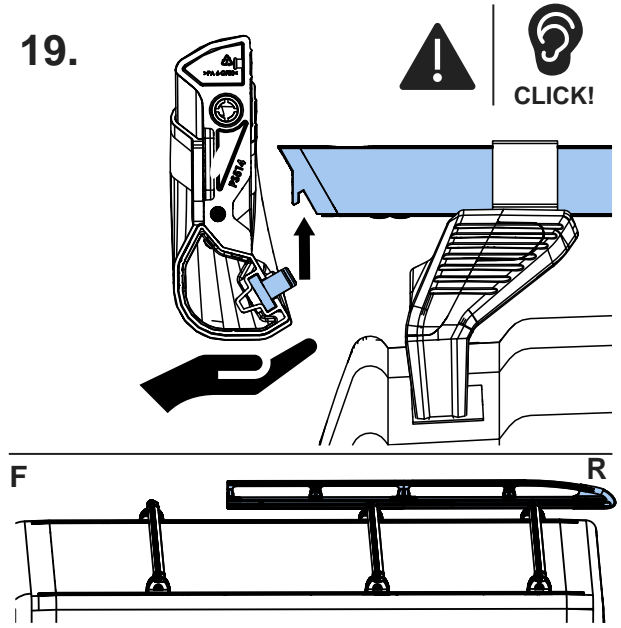
17.



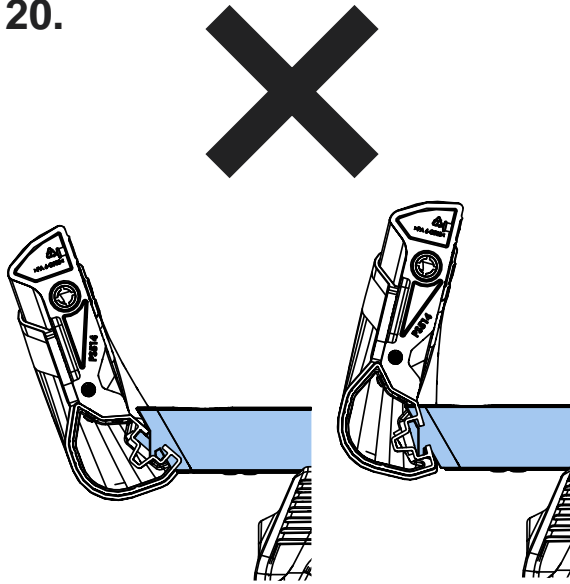
18.



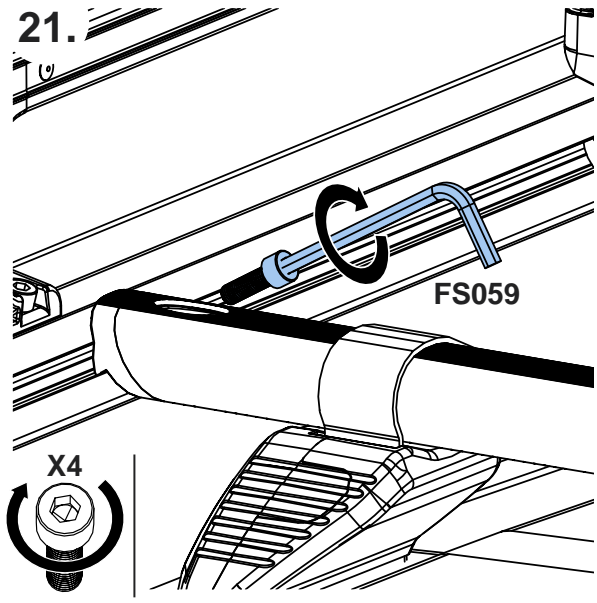
19.



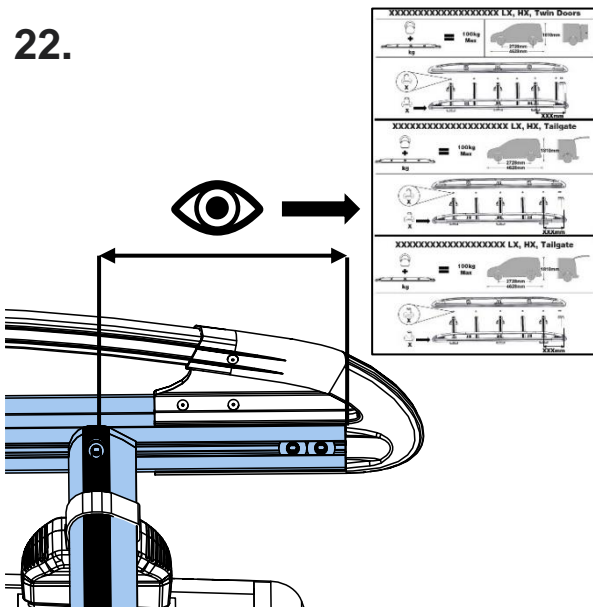
20.



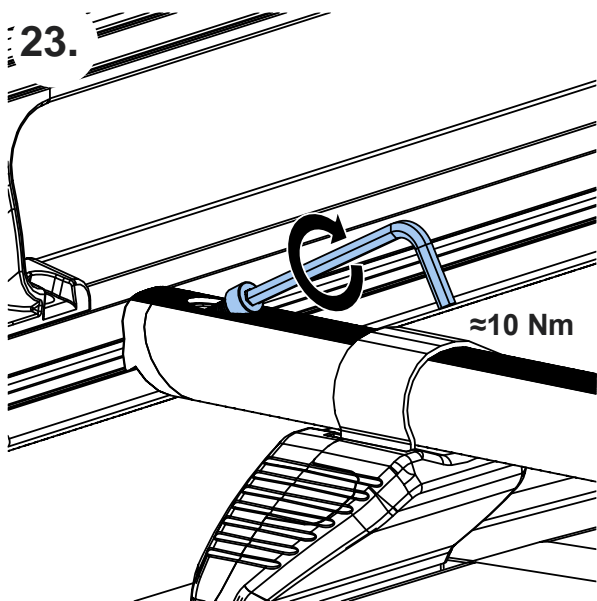
21.



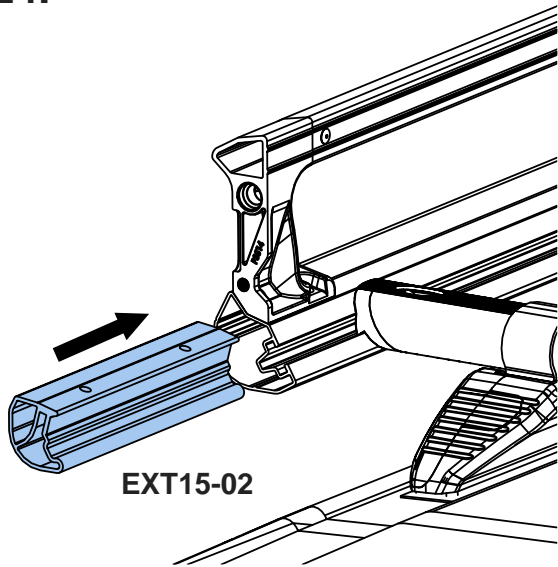
22.



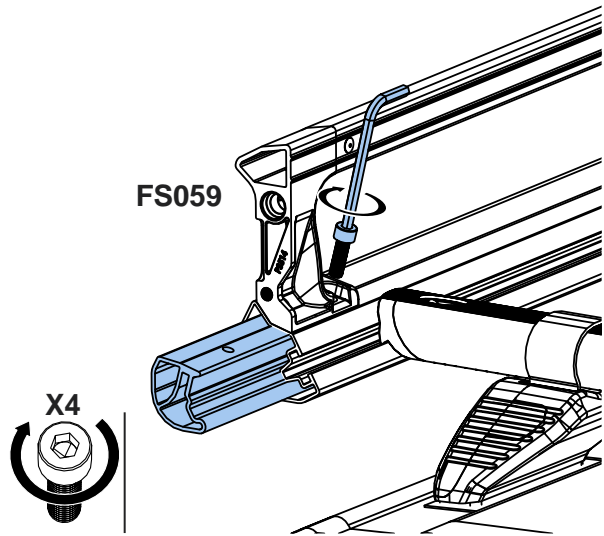
23.



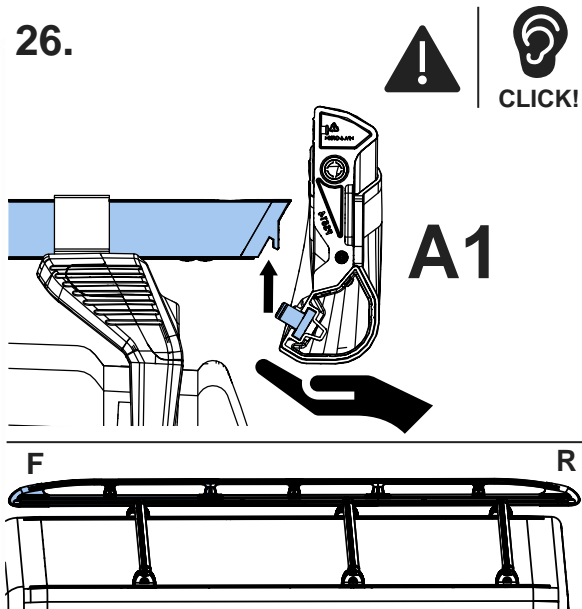
24.



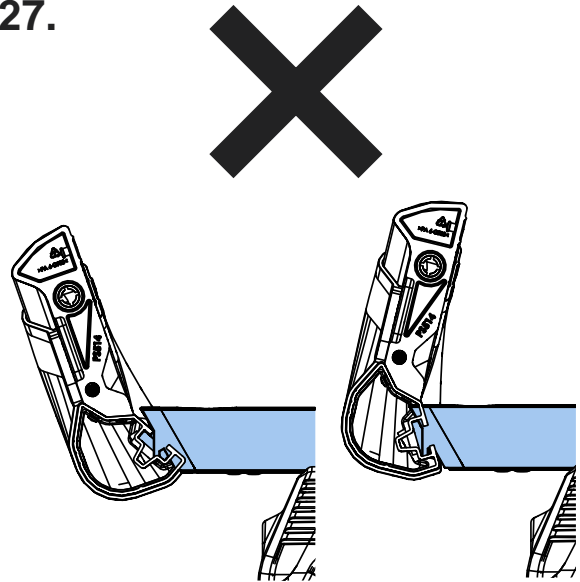
25.



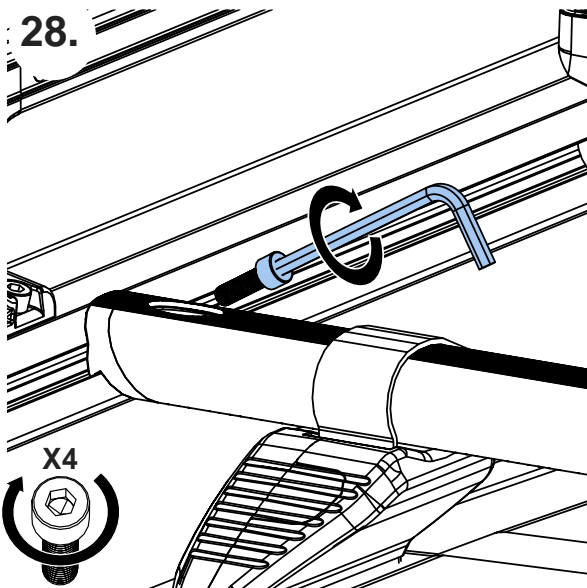
26.



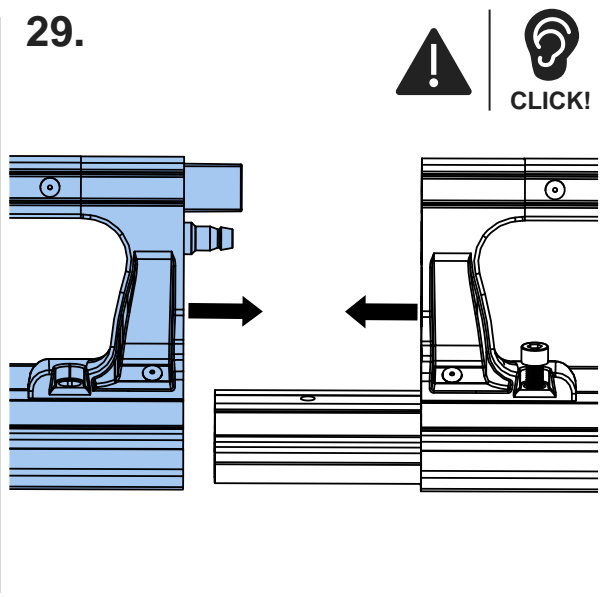
27.



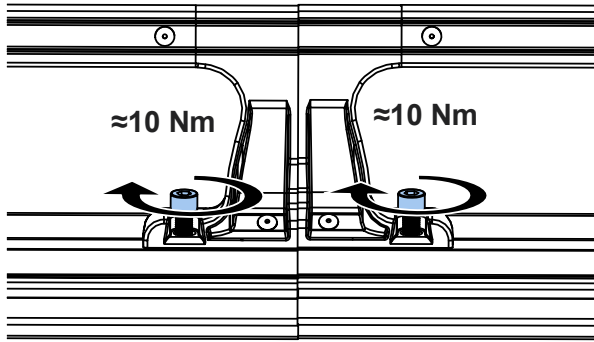
28.



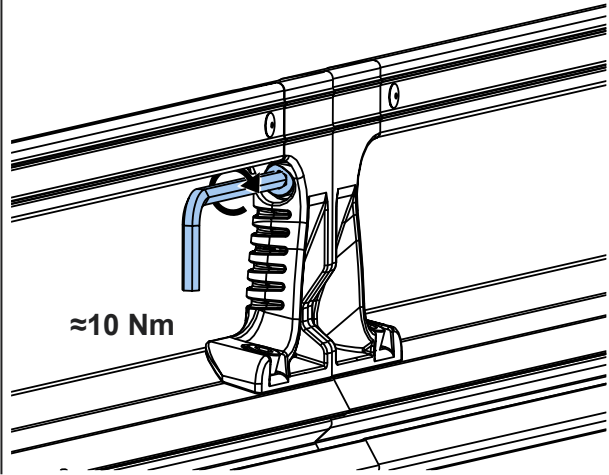
29.



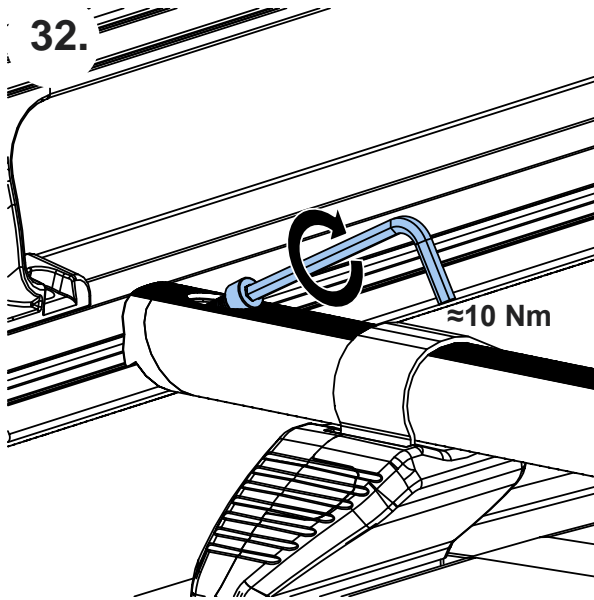
30.



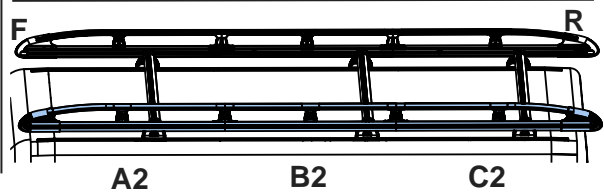
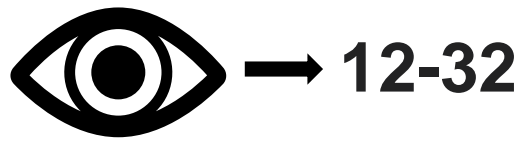
31.



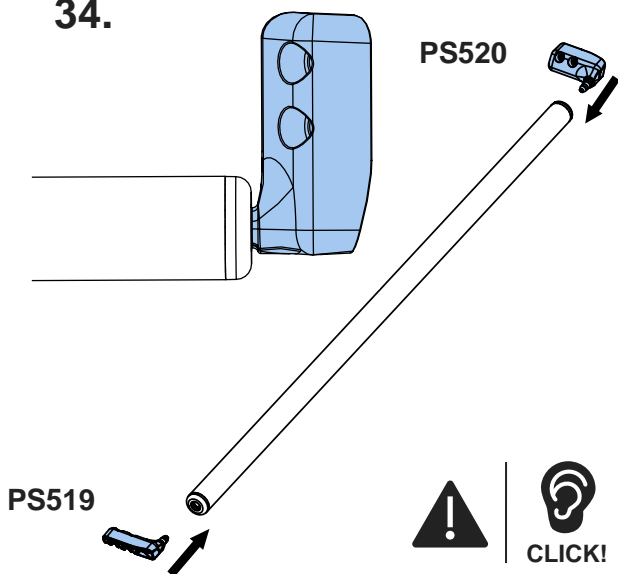
32.



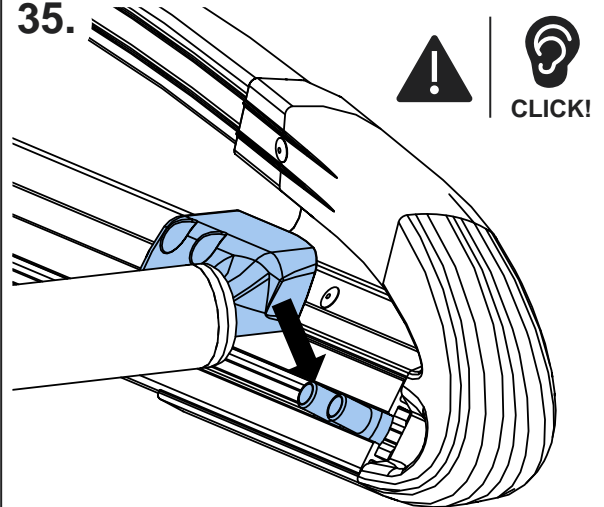
33.



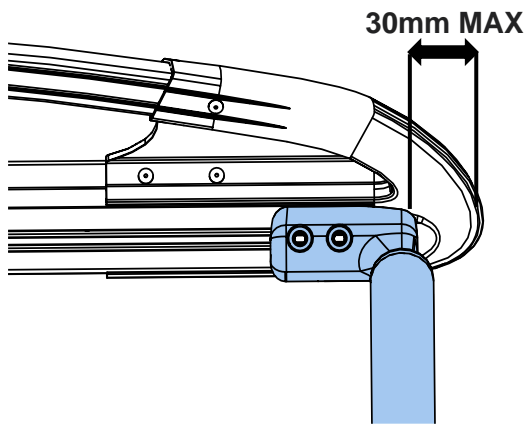
34.



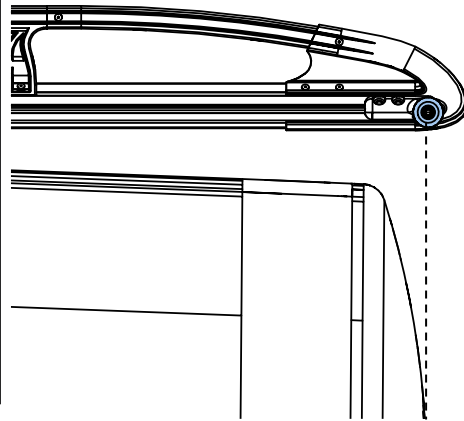
35.



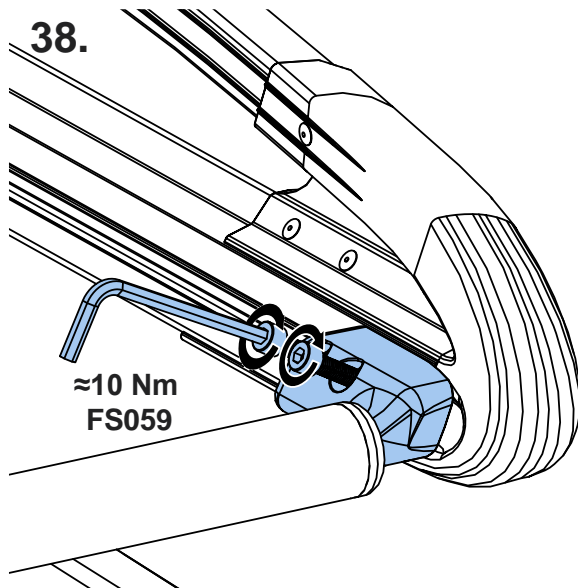
36.



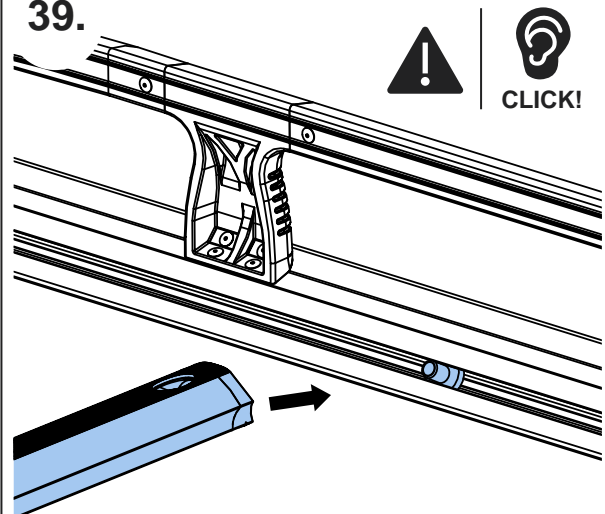
37.



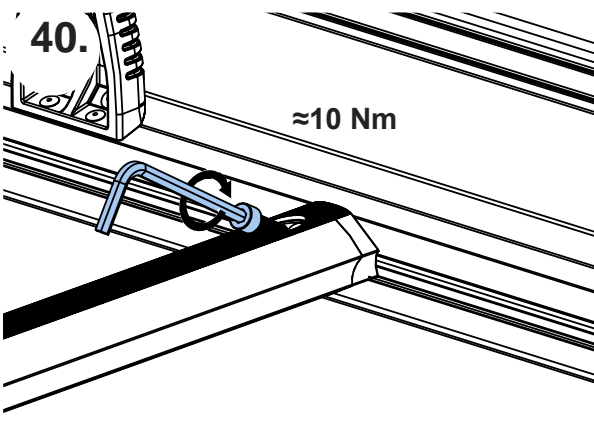
38.



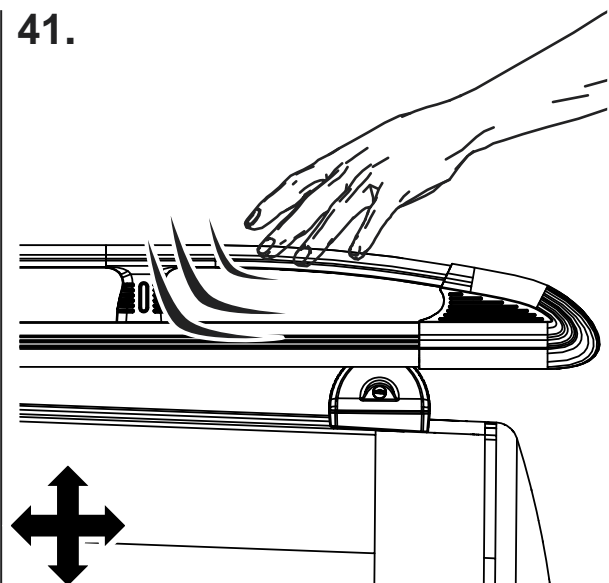
39.



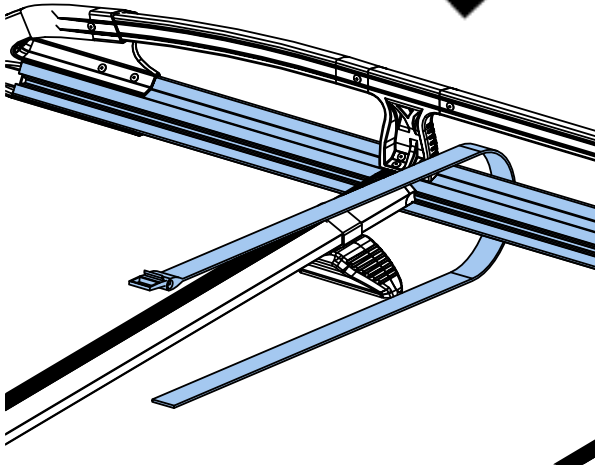
40.



41.



42.



43.

